

### Installation and Assembly Instructions



Gared Holdings, LLC  
 9200 E. 146th St.  
 Noblesville, IN 46060

7'-6" ALUMINUM TIP & ROLL BLEACHER 4 ROW  
 LOW RISE WITH SINGLE FOOT PLANK

FILE LOC. Q:\Inventor Files\Installation Instructions\490,000,000

DATE 4/18/2014	SHT. NO. 1 OF 5	PART NO. TRB0408LR ai	REV A
-------------------	--------------------	--------------------------	----------

## *Introduction/Liability Disclaimers*

Thank you for your purchase of the Tip & Roll Aluminum Bleachers. This guide will provide information on the proper assembly and installation methods of your bleachers.

Please note that a Bill of Materials is being included with this guide. Please check that all of the parts called out on the Bill of Materials are present prior to beginning assembly. Please do not substitute for factory parts. Please contact the PSS or Gared Sports customer service department and allow them to determine if substitute parts are acceptable.

It is recommended that an individual who has been properly trained perform assembly and set up of the bleachers. No one under the age of 18 should attempt assembly or set up of the unit, unless properly supervised.

To prevent normal wear and tear from shortening the life of the unit, preventative maintenance inspections and repairs should be performed at least once per year. If the units are subject to high or unusual usage, inspections should be scheduled to occur more frequently. If items are found to be nonconforming, replacements can be ordered from PSS or Gared Sports or one of our authorized dealers. When contacting PSS or Gared Sports, please have information regarding the dealer/installer who sold the unit, the name of the project, and any applicable warranty information.

800-325-2682 -- Gared Customers  
800-848-8034 -- PSS Customers

### **Installation and Assembly Instructions**



Gared Holdings, LLC  
9200 E. 146th St.  
Noblesville, IN 46060

**7'-6" ALUMINUM TIP & ROLL BLEACHER 4 ROW  
LOW RISE WITH SINGLE FOOT PLANK**

FILE LOC. Q:\Inventor Files\Installation Instructions\490,000,000

DATE	SHT. NO.	PART NO.	REV
4/18/2014	2 OF 5	TRB0408LR ai	A

MATERIAL LIST				
ITEM	QTY	PART NUMBER	DESCRIPTION	LENGTH
1	3	198011026-8	PLANK, FOOT 10" MILL FINISH X 7.5'	90.00 in
2	4	198011031-8AN	PLANK, SEAT 12" ANNODIZED X 7.5'	90.00 in
3	2	498011030	BRACE ANGLE - 75.44 LONG	
4	6	498011033	END CAP, BLEACHER SEAT	
5	28	498011035	MOUNTING CLIP	
6	4	498011037	CASTER - 4 X 1 1/4 POLY RIGID	
7	10	498011078	RUBBER PAD	
8	1	498011092	BRACE ANGLE - 74.00" LONG	
9	2	498011093	FRAME, 4 ROW LOW RISE TIP & ROLL	
10	8	498011243	END CAP, 12" BLEACHER PLANK	
11	40	6044-11-00	1/8" POP RIVET	
12	28	501-5-18-24	BOLT, CARRIAGE 5/16-18 UNC X 1.5	
13	16	502-5-18-16	HEX BOLT, 5/16-18 UNC X 1	
14	10	502-5-18-20	HEX BOLT, 5/16-18 UNC X 1.25	
15	7	502-6-16-16	HEX BOLT, 3/8-16 UNC X 1	
16	10	545-5-18Z	HEX NUT, NYLON LOCK 5/16-18	
17	44	548-5-18Z	HEX NUT, SERRATED FLANGE 5/16-18	
18	7	548-6-16	HEX NUT, SERRATED FLANGE 3/8-16	
19	10	561-5	FLAT WASHER 5/16	

1. Pre-assemble the braces by laying them out in pairs. Place the angles in each pair back to back and connect with a 3/8" x 1" hex bolt and 3/8" Whizlock nut as shown in Figure 1.

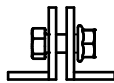
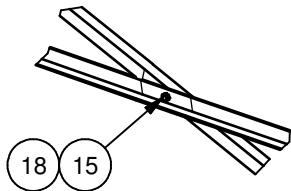
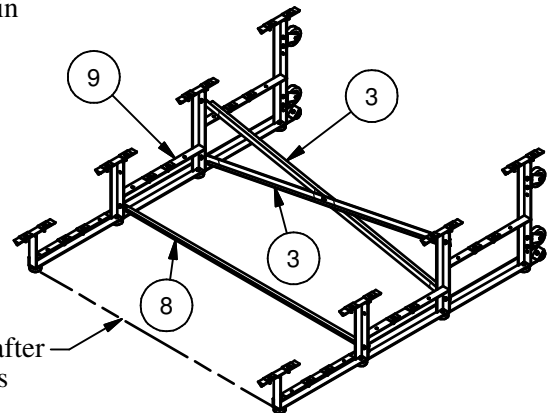


Figure 1



Align and square frames after installation of cross braces

2. Pre-assemble the frames with the rubber pads and caster assemblies. Install a rubber foot at each hole location under the seat vertical and the angled position at the rear of the frame. Use the 5/16" x 1-1/4" hex bolt, 5/16" flat washer between the head of the bolt and the rubber pad, and a 5/16" nylon lock nut (see figure 2). Attach two caster assemblies to each frame (see figure 3). Use the 5/16" x 1" hex bolts and 5/16" whizlock nuts. Four bolts and nuts are required for each caster assembly.

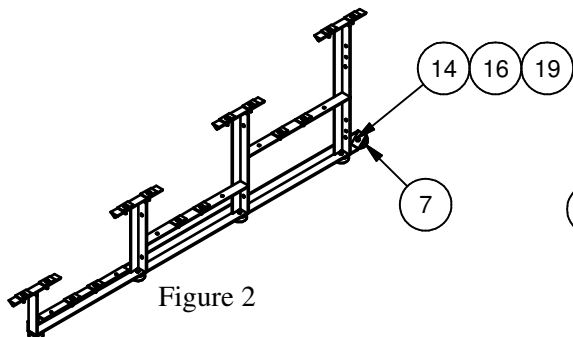


Figure 2

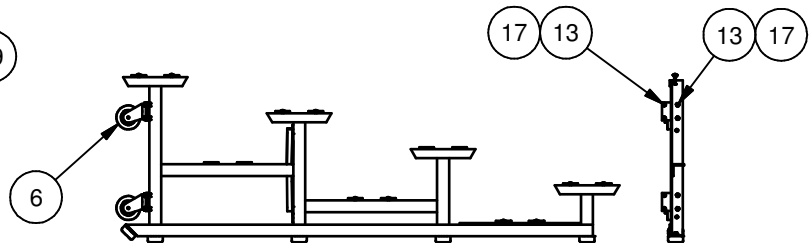


Figure 3

### Installation and Assembly Instructions



Gared Holdings, LLC  
9200 E. 146th St.  
Noblesville, IN 46060

7'-6" ALUMINUM TIP & ROLL BLEACHER 4 ROW  
LOW RISE WITH SINGLE FOOT PLANK

FILE LOC. Q:\Inventor Files\Installation Instructions\490,000,000

DATE  
4/18/2014

SHT. NO.  
3 OF 5

PART NO.  
TRB0408LR ai

REV  
A

3. Lay out the Frame weldments approximately 6' apart. Install the brace sub-assemblies from step 1 using the 3/8" x 1" hex bolts and 3/8" whizlock nuts as shown in Figure 4. Install the straight brace using the 3/8" x 1" hex bolt and 3/8" whizlock nut as shown in Figure 4.

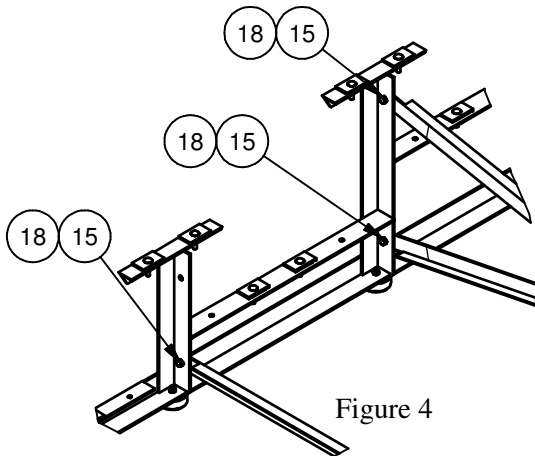


Figure 4

4. Install the end caps on each end of the seat planks, foot planks, and riser planks. Slide the end cap onto the plank with the holes on the underside of the plank. Using the holes in the end cap for a guide, drill a 1/8" hole and install the pop rivets to retain the end caps. See Figure 5.

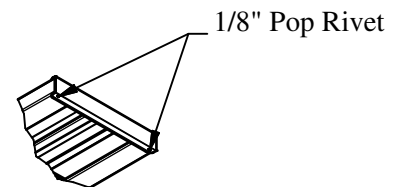


Figure 5

5. Install the foot planks using the mounting clips, 5/16" carriage bolts, and 5/16" Whizlock. These mounting clips, bolts, and nuts are required at every frame position. Pre-install the mounting clips on the frame using the 5/16" x 1" carriage bolt and 5/16" whizlock nut. Only start the nuts a few threads to allow for the clips to be lifted and rotated into the channel of the bleacher plank.

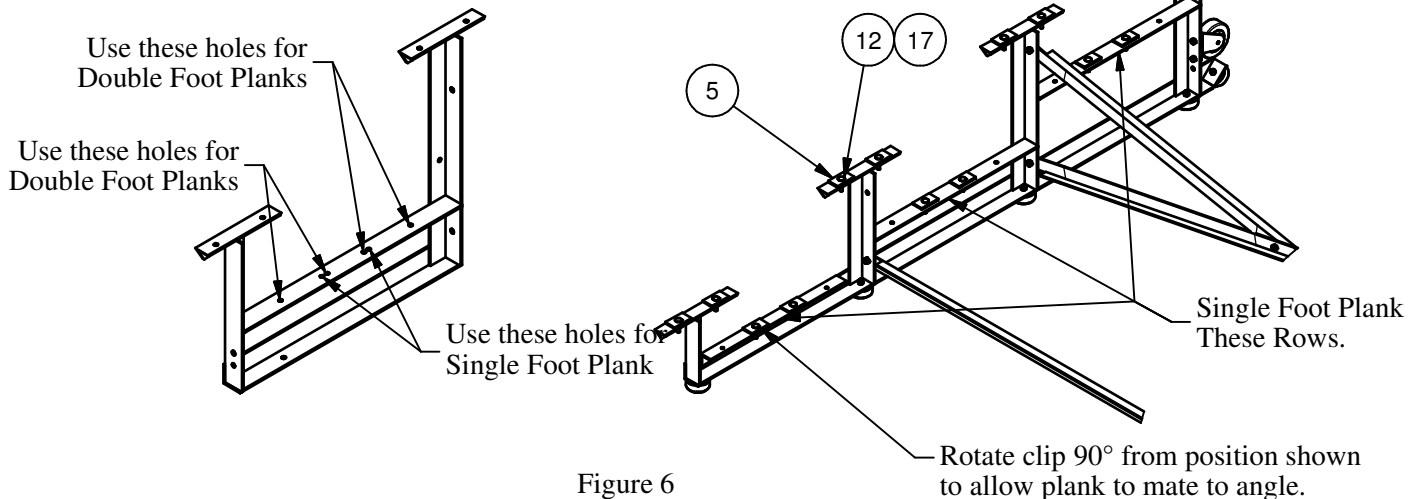


Figure 6

Note: Single foot planks are used on all foot rows. Install all foot planks before installing the seat planks.

### Installation and Assembly Instructions



Gared Holdings, LLC  
9200 E. 146th St.  
Noblesville, IN 46060

7'-6" ALUMINUM TIP & ROLL BLEACHER 4 ROW  
LOW RISE WITH SINGLE FOOT PLANK

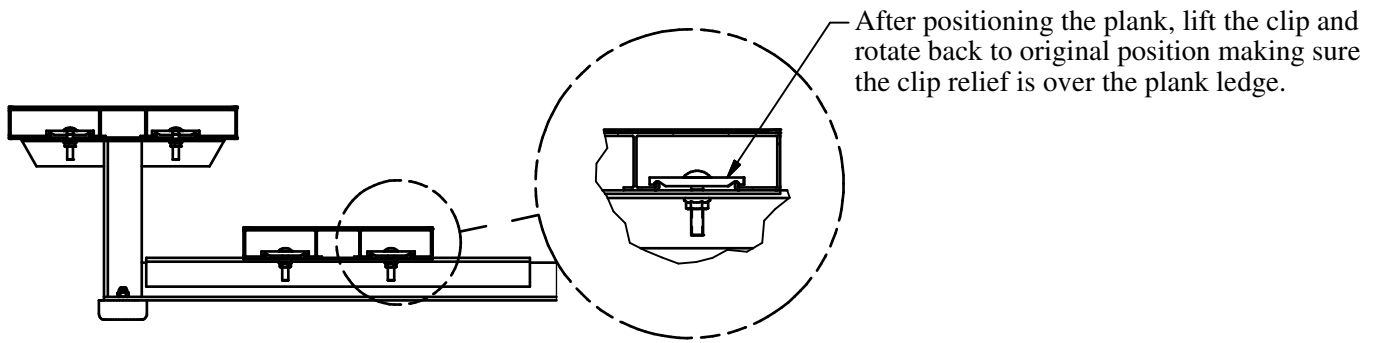
FILE LOC. Q:\Inventor Files\Installation Instructions\490,000,000

DATE 4/18/2014

SHT. NO. 4 OF 5

PART NO. TRB0408LR ai

REV A



Plank Clip Illustration

6. Before tightening the foot plank bolts, align all the planks and make sure the planks are centered on the assembled frame. See Figure 7 for reference dimensions.

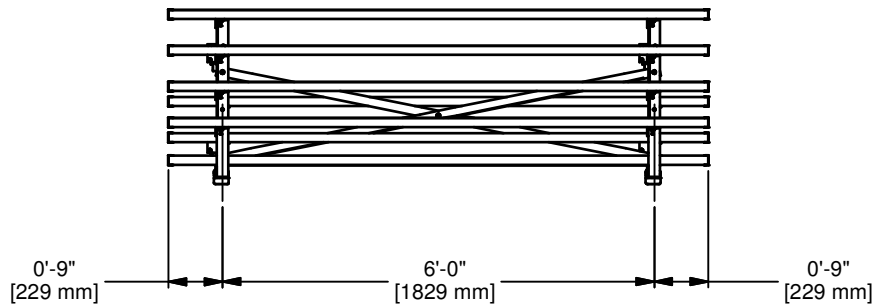


Figure 7

7. Install the seat planks using the mounting clips, 5/16" x 1" carriage bolts, and 5/16" whizlock as shown in figure 4. Note: these mounting clips, bolts, and nuts are required at every frame position.

8. Before tightening the seat plank bolts, align all the planks and make sure the planks are centered on the assembled frame. See Figure 5 for reference dimensions.

9. Check all bolted connections and insure all bolts are securely tightened.

The bleacher assembly is now complete. Position the bleacher into the desired location and anchor as required by local codes.

### Installation and Assembly Instructions



Gared Holdings, LLC  
9200 E. 146th St.  
Noblesville, IN 46060

7'-6" ALUMINUM TIP & ROLL BLEACHER 4 ROW  
LOW RISE WITH SINGLE FOOT PLANK

FILE LOC. Q:\Inventor Files\Installation Instructions\490,000,000

DATE	SHT. NO.	PART NO.	REV
4/18/2014	5 OF 5	TRB0408LR ai	A