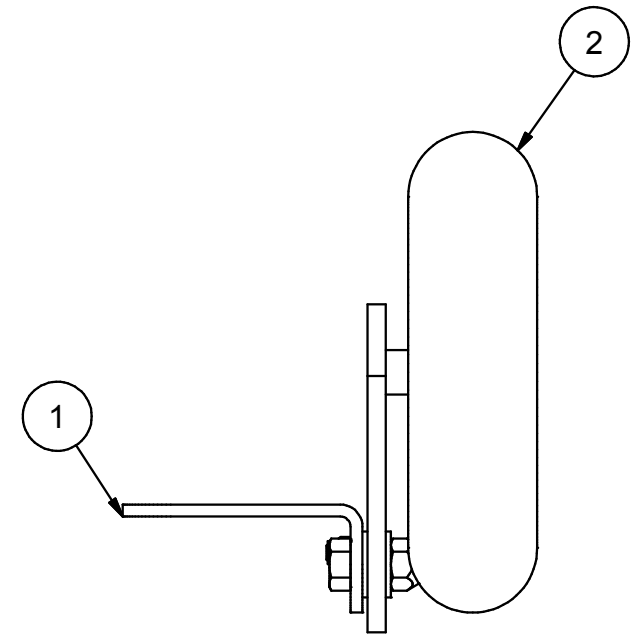
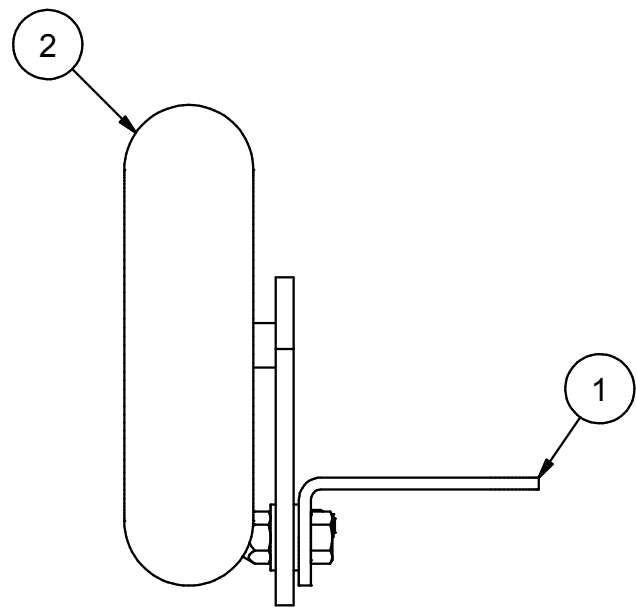
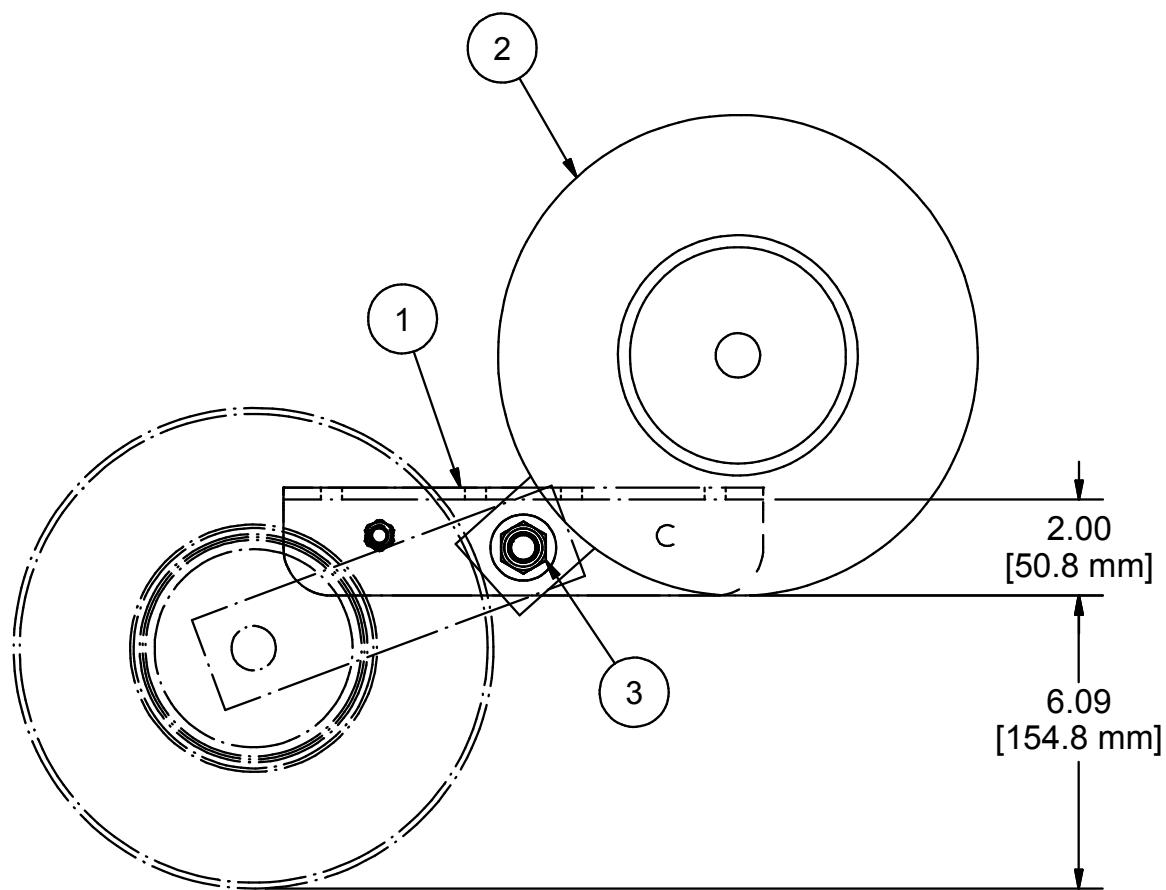
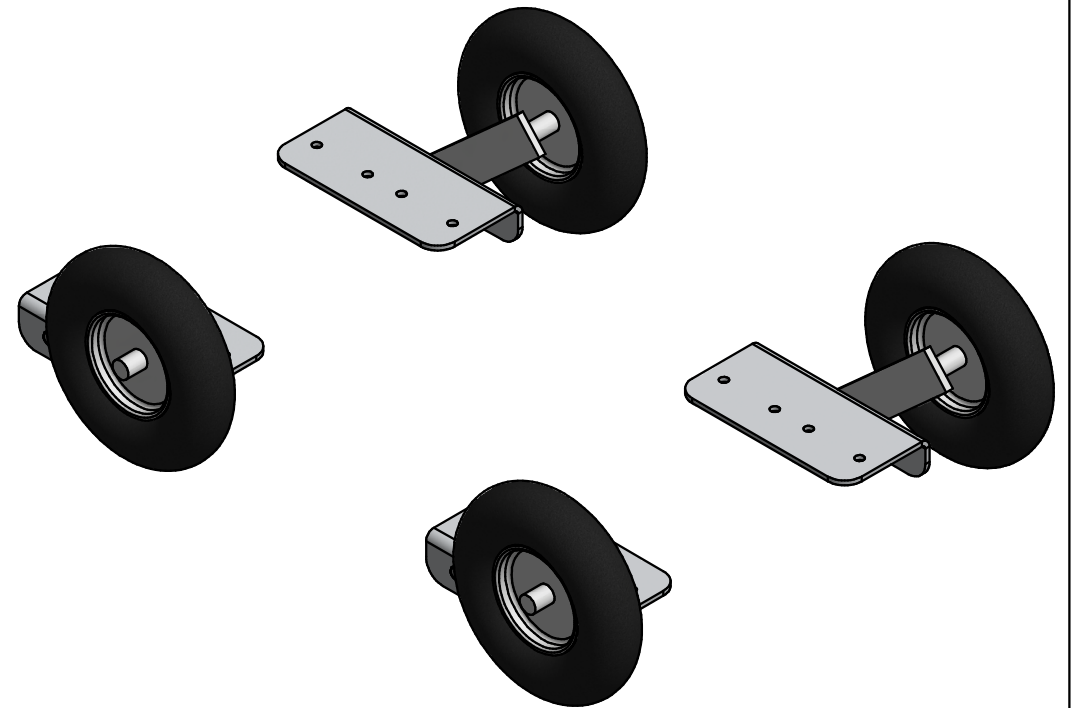
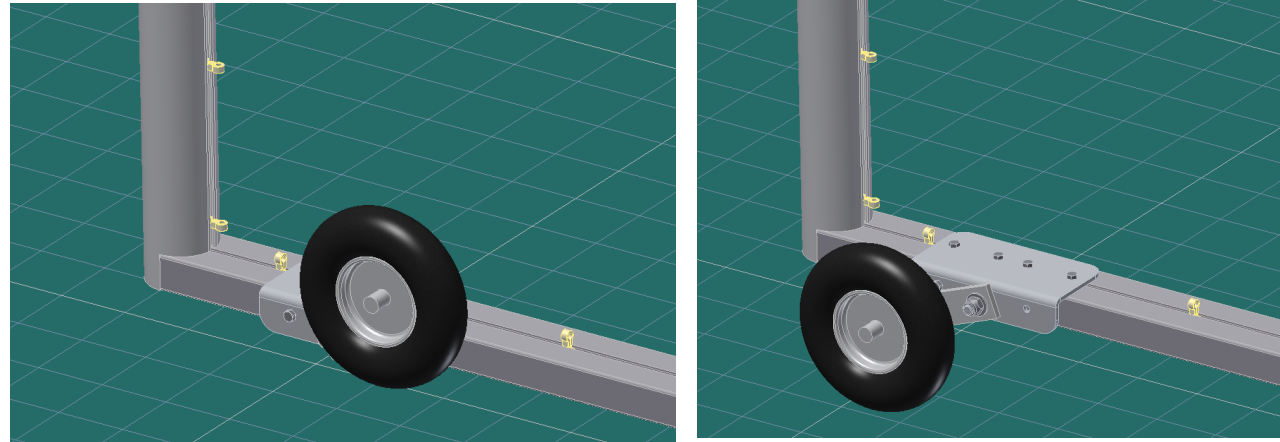


PARTS LIST			
ITEM	QTY	PART NUMBER	DESCRIPTION
1	4	656252298	BRKT WLDMT, STRIKER WHEEL HINGE
2	1	SGWK	SOCCER GOAL WHL ADPTR SET(4 WHEELS)
3	4	545-10-11	HEX NUT, NYLON LOCK 5/8-11

PACKING NOTES:

- REMOVE MOUNTING BRKTS FROM SGWK KIT AND REPLACE WITH 656252298.
- REMOVE U-BOLTS.
- ALL OTHER HARDWARE REMAINS IN KIT.
- PKG THIS PRINT WITH KIT.
- LABEL KIT SGWK-STRIKER



FINISHED WEIGHT 41.257 lbmass

REV	BY	DATE	ECN	REVISION DESCRIPTION
A	WDC	09-29-15		ADDED (4) 5/8-11 LOCKNUTS

UNLESS OTHERWISE SPECIFIED
DIMENSIONS ARE IN INCHES
[XX.XX] DIMENSIONS ARE IN MM
TOLERANCES ARE:
.X ± 0.060 [1.50 mm]
.XX ± 0.030 [0.75 mm]
.XXX ± 0.010 [0.25 mm]
ANGLES
X. = 1°
X.X = 1/2°

THIRD ANGLE PROJECTION



Gared Holdings, LLC
9200 E. 146th St. Noblesville, IN 46060

THIS DOCUMENT CONTAINS TRADE SECRET AND OTHER MATERIALS WHICH ARE PROTECTED BY CONFIDENTIALITY NOTICE AND AGREEMENT AND BY COPYRIGHT. ANY USE OR COPYING OF THIS DOCUMENT EXCEPT AS AUTHORIZED BY GARED HOLDINGS, LLC IS STRICTLY PROHIBITED.

WHEEL SET, STRIKER GOAL (4 WHEELS)

DRAWN	CROSBY	DATE	6/15/2015	MATERIAL	SEE PARTS LIST
APPROVED		DATE		FINISH	
FILE LOC.	Q:\Inventor Files\650,000,000			DWG. NO.	
SIZE	SCALE	SHT. NO.	PART NO.	REV	
B		1 OF 1	SGWK-STRIKER	A	