



## Model: SG30824I FIFA SOCCER GOAL



### **Installation, Operation and Maintenance Instructions**

.....  
**Please read all instructions before attempting installation or operation of these units**  
.....

**SAVE THESE INSTRUCTIONS FOR FUTURE USE**

PUBLICATION No.  
6 5 1 7 5 4 2 0 7

Revised  
April 27, 2009



**Table of Contents**

<b><u>Section</u></b>	<b><u>Page No.</u></b>
Introduction/ Liability Disclaimer	2
Parts Checklist	3
Goal Assembly	7
Maintenance	11



## **Introduction / Liability Disclaimers**

Thank you for your purchase of a Gared Sports “FIFA” Soccer system. To ensure that our equipment will provide years of use to you, we are including this installation, operation, and maintenance guide. This guide will provide information on the proper installation methods, operating procedures, and preventative maintenance of your Soccer system.

Please note that a Bill of Material is being included with this guide. Please check that all of the parts called out on the Bill of Materials are present prior to beginning assembly. Please do not substitute for factory parts. Please contact the GARED customer service department and allow them to determine if substitute parts are acceptable.

It is recommended that an individual who has been properly trained perform installation and setup of the soccer goal. No one under the age of 18 should install or setup the unit, unless properly supervised.

To prevent normal wear and tear from shortening the life of the unit, preventative maintenance inspections and repairs should be performed at least once per year. If the units are subject to high or unusual usage, inspections should be scheduled to occur more frequently. If items are found to be nonconforming, replacements can be ordered from the GARED or one of our authorized dealers. When contacting GARED, please have information regarding the dealer/installer who sold the unit, the name of the project, and any applicable warranty information.

### **WARNING**

Portable or Moveable Soccer Goals can fall over causing serious injury or death. Anchors must be properly installed and used on all portable or moveable soccer goals at ALL times.

126255020

Before proceeding with assembly, read all instructions and procedures. Make sure all parts have been received and are not damaged



**MODEL: SG308241 FIFA SOCCER GOAL**



PARTS LIST BY SUB ASSEMBLY		
PART NUMBER	DESCRIPTION	QAUNITY/ UM
101062310	EYE BOLT 3/8 X 4"	4 EA
156254068	KIT, HARDWARE, FIFA GOAL	1 EA
544-6-16	NUT,NYLON LOCKING 3/8 X 16	4 EA
651654205	ROPE, RATCHET, 1/8" ROP	2 EA
655752529	TOP RAIL, RND 4", 8' X24' GOAL	1 EA
655755163	RH-SIDE RAIL 4" RND PERM	1 EA
655755162	LH-SIDE RAIL 4" RND PERM	1 EA
655755201	SQUARE CONNECTING PIPE	2 EA
655754065	REAR POSTS, FIFA SOCCER GOAL	2 EA
651652570	J-STAKE ANCHOR	4 EA
151652040	KIT TUBE CAP	2 EA
SNFIFA	SOCCER NET, 8' X 24' WHITE FIFA STYLE	1 SET



## Set-up Guide

### **Parts Checklist**

Verify all parts listed on packing list are present prior to installation.

#### **Upright Posts (Refer to drawings or pictures in the instructions)**

- Front Post (s) Assembly       OK
- Rear Post(s)                       OK

#### **Hardware**

- Hardware Kit                       OK
- Rope Ratchets                       OK
- Nets (2) Complete                 OK
- Anchor J-stakes                     OK



## **Goal Posts Installation**

It is understood that the soccer field is laid out to proper dimensions, and that the goal area is established on both ends according to international rules and procedures. This installation manual is for a permanent goal system. Please contact your dealer or installer for a kit made by Gared designed to allow installation and removal of the goal at your convince.

Measure a distance of 24' 4" center to center, prepare the locations for (2) posts to meet your local construction Codes, or the rule of depth, correct for your local frost line. Refer to figure 3 on page #9 for general measurement; please allow enough depth for a good solid base of gravel for proper drainage (6" recommended). The front posts are made from aluminum extrusions and finished to allow for many years of service. Proper installation and maintence is the key factor in extending service life.

It is strongly recommended that the front posts be assembled completely, so they can be used as a guide. In addition, it is recommended that an outside support system be constructed and used during installation. One suggested method is shown in (fig 4) page 10. The FIFA international rules are specific on height and width, and depth of the goal. Proper installation will insure adherence to the international rule and regulations. Again, refer to illustrations provided in this manual.

## Goal Assembly Frame

Begin by assembling the goal front frame sections, note the slot side of the frame will be on the back or net side. Plastic twist clips will fit in the slot and hold the net in place.

1. Install the top rail between the two vertical side rails using the square connecting pipes. Each side will use four 3/8" flat and lock washers and four 3/8" x 1-1/2" long bolts. Use the illustration below as a guide to assembling each side.
2. Tighten all bolts securely.

The main frame of the goal is now assembled.

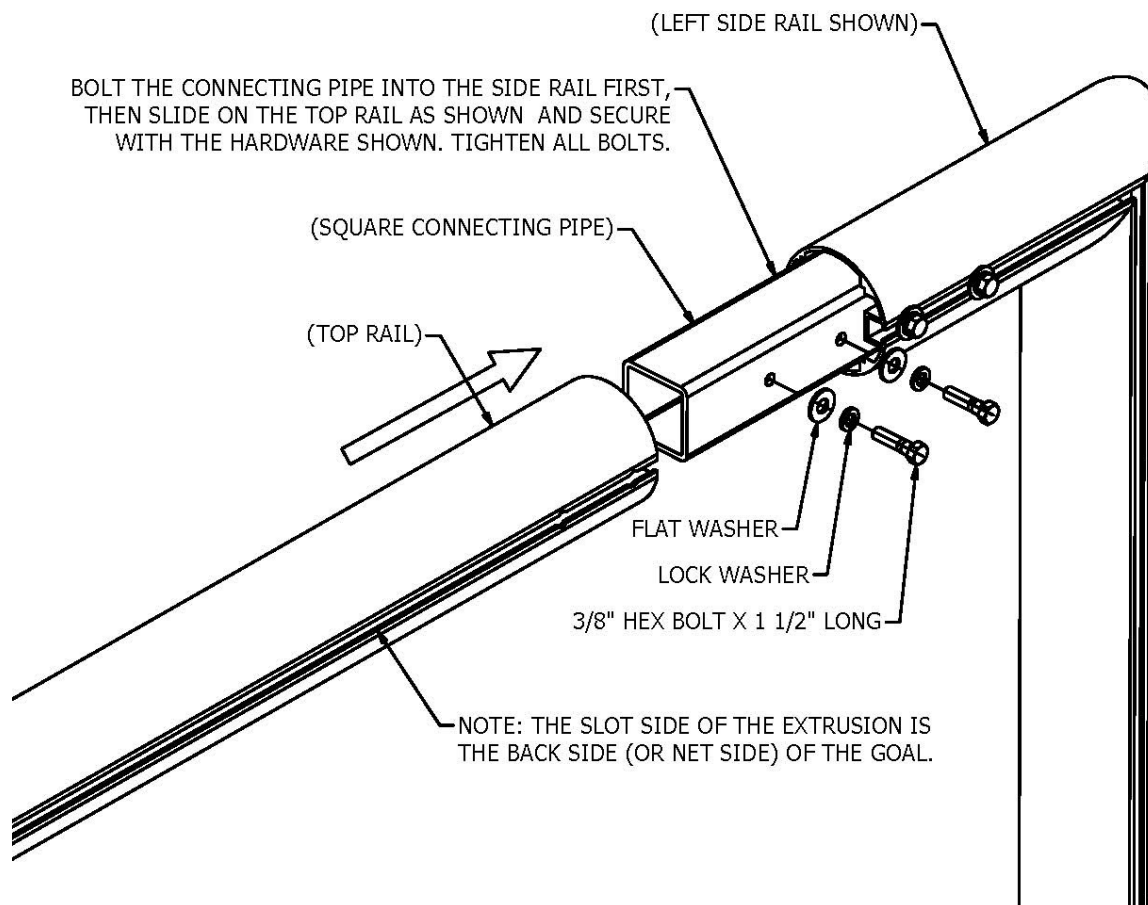


Figure 1

Prepare the two main postholes in the ground with approximately 6" of gravel base on the bottom to insure proper drainage. Position the goal in the upright position (playing position) in the holes you have prepared and using the exterior support system; to maintain the frame at the correct dimension during the pour. Check all dimensions before and after. Don't forget the slot must go to the back, away from the playing field.

With everything in proper position, pour the concrete into the hole to a level approximately 3" below the sod surface. With additional concrete form a slope away from the post, this will insure proper drainage away from the posts; and it puts the concrete at a sublevel away from the playing surface. Allow plenty of time for the concrete to set up. See page 9 for rear post locations and general dimensions.

Install net using clips, insert net rope into clip. Rotate clip 90 degrees to the channel in the rail and insert tang clips into channel when fully inserted, rotate clip back 90 degrees to lock into the channel. Inspect all joints and connections to make sure the goal is ready for play.

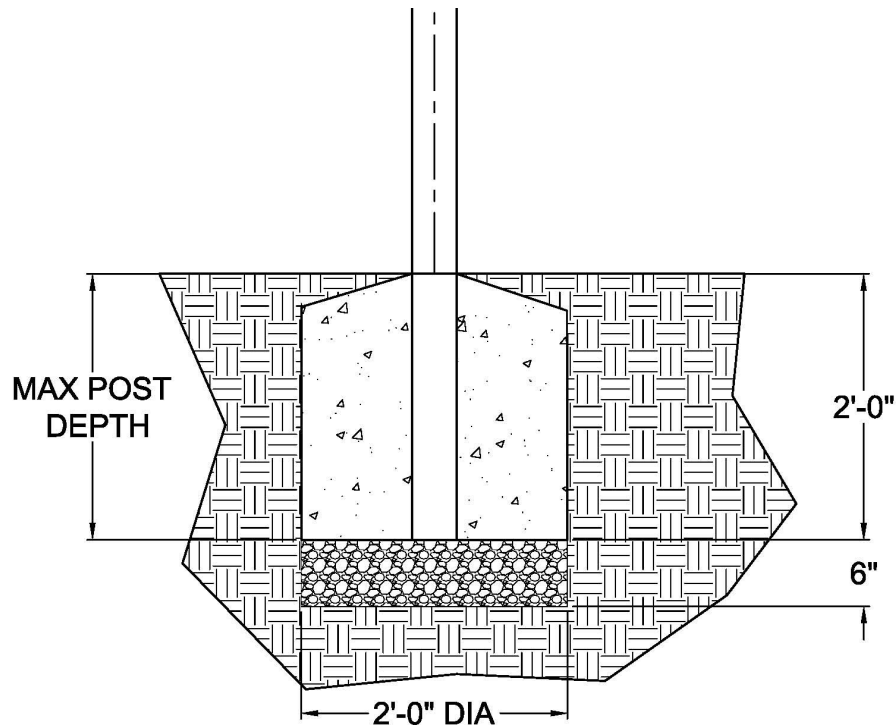


Figure 2



Rear posts are to be 1' ft higher than the front post assembly, they apply pressure up, and back. The four (4) 'J' stakes placement are recommended, one on each of the net back corners and two along the back at eight (8) feet apart between corners. These stakes must be completely inserted into the earth as a safety measure. The "rope ratchets" are used for ease of adjustments to net position, they are self loading. Insert 1/8 rope onto the left or top side and the rope will feed itself through up and over the internal wheel relieving the pressure on the locking tab, next to the hook; this unlocks the pressure when the rope is tight and installed. See Figure 5 (picture)

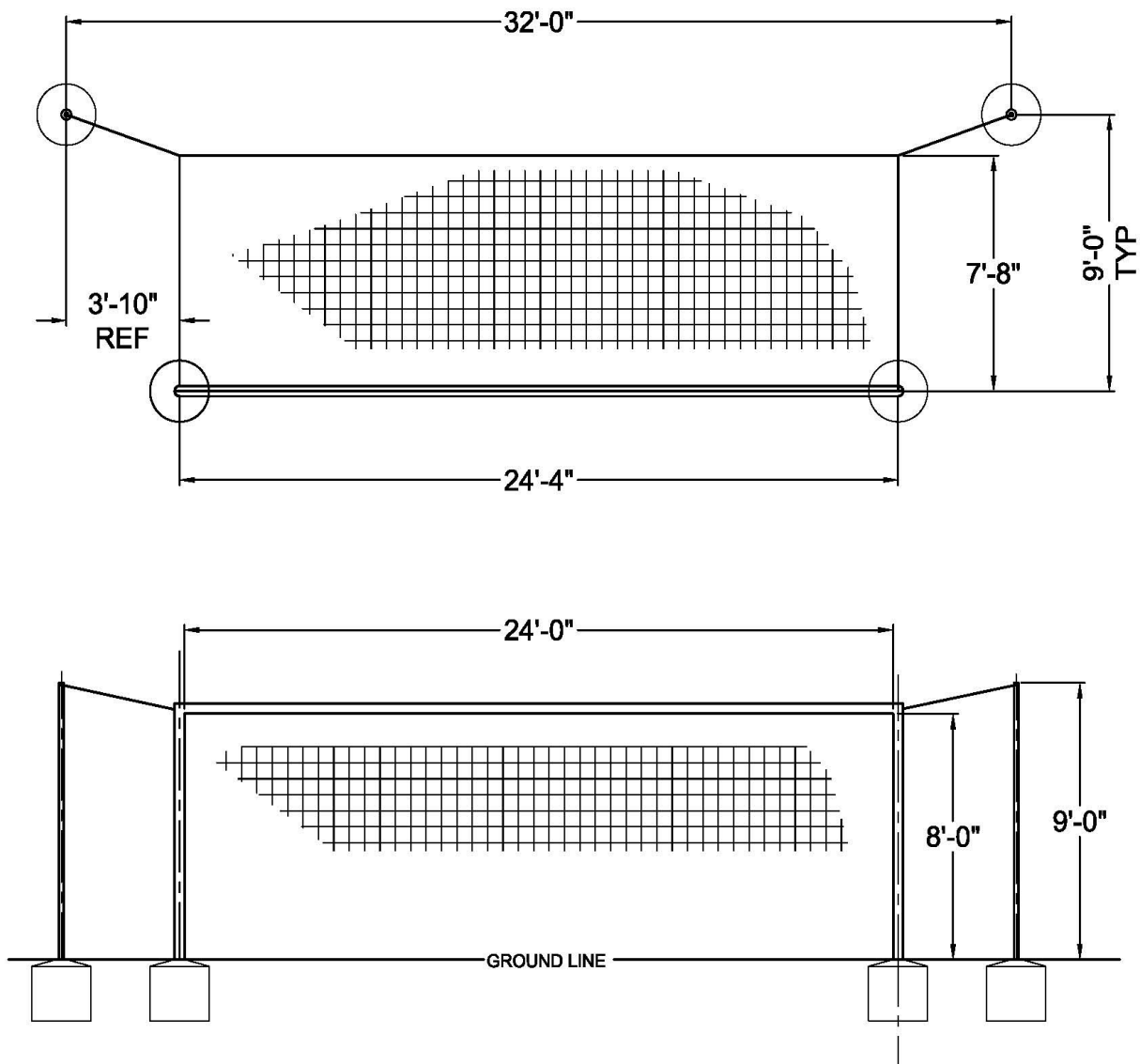


Figure 3

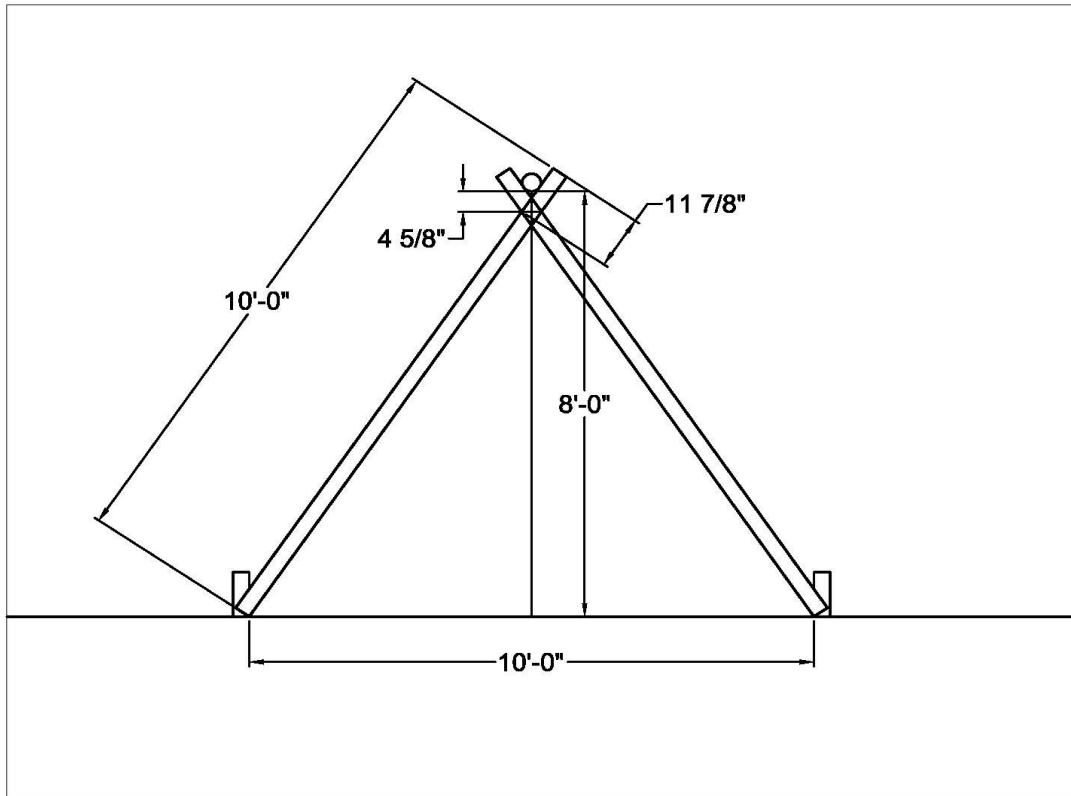


Figure 4

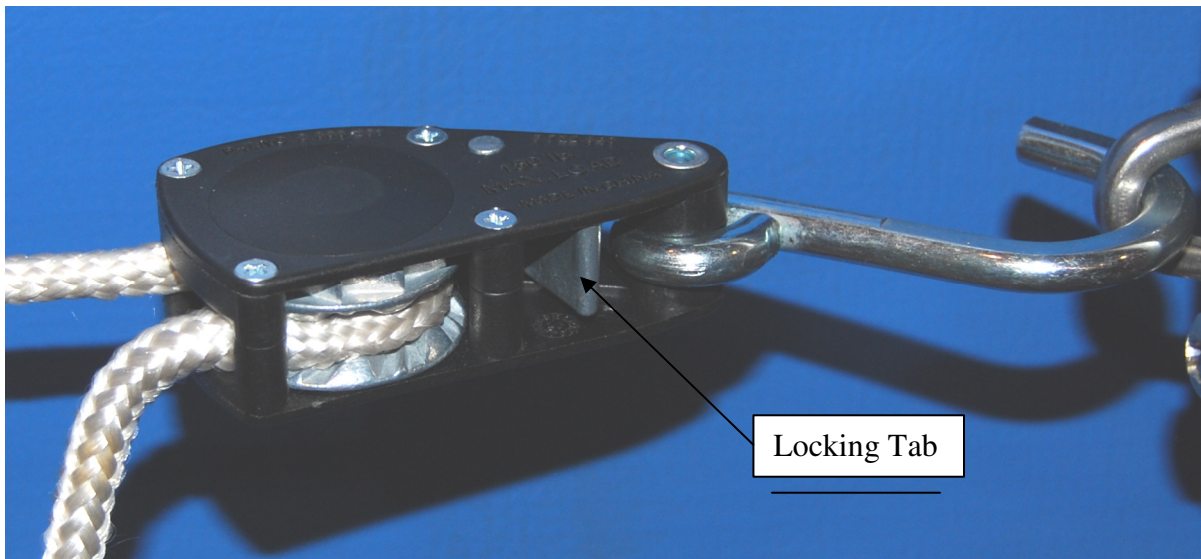


Figure 5



## **Maintenance**

- 1) General inspection of equipment when used should be performed to ensure no catastrophic failures have occurred during the course of use between yearly inspections.
- 2) It is recommended that yearly inspections be conducted to determine if any bolts or any other hardware has become worn or loosened. A sample check sheet has been provided for you in this guide.
- 3) During yearly inspections, all high stress parts should be inspected while in operation. Key points to look for include bent or out of position posts misalignment, missing parts (clips or ropes). The net should be checked for any degeneration or fraying.
- 4) Any loose bolts or nuts should be tightened.
- 5) Check major dimensions, are the goals in compliance with international rules.



Maintenance Check Sheet

Date: \_\_\_\_\_

Unit: \_\_\_\_\_.

**Anchors/Net Attachments**

-Anchors, "J" stakes  OK  Repair  Replace

-Loose or missing parts  OK  Repair  Replace

**Unit Supports / Brackets**

-Tubes; dents, stress spots, etc.  OK  Repair  Replace

-Bolts; loose, deformed, etc.  OK  Repair  Replace

**Tension/Rope**

-Missing Rope, or stretched  OK  Repair  Replace

- Beyond Service length

**Safety Check**

- Burrs, Sharp Edges.  OK  Repair  Replace

-Protrusions, Stakes,  
Rocks, surface concrete  OK  Repair  Replace

Replacement parts and / or service to the equipment can be obtained from your local Gared dealer or installer. To find your local Gared dealer, visit us online or contact customer service department at the web address or phone number listed on the last page of this manual.



MODEL: SG308241 FIFA SOCCER GOAL



**Notes**



**Performance Sports Systems**  
9200 E. 146<sup>th</sup> Street  
Noblesville, IN 46060

**800-848-8034**  
[www.perfsports.com](http://www.perfsports.com)

**Gared Holdings, LLC**



**Gared Sports**  
707 North 2<sup>nd</sup> Street  
St. Louis, MO 63102

**800-325-2682**  
[www.garedsports.com](http://www.garedsports.com)