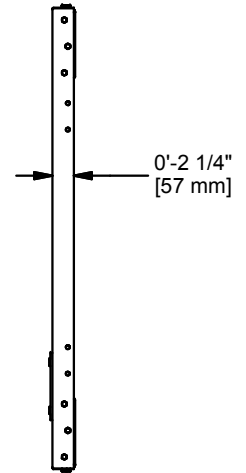
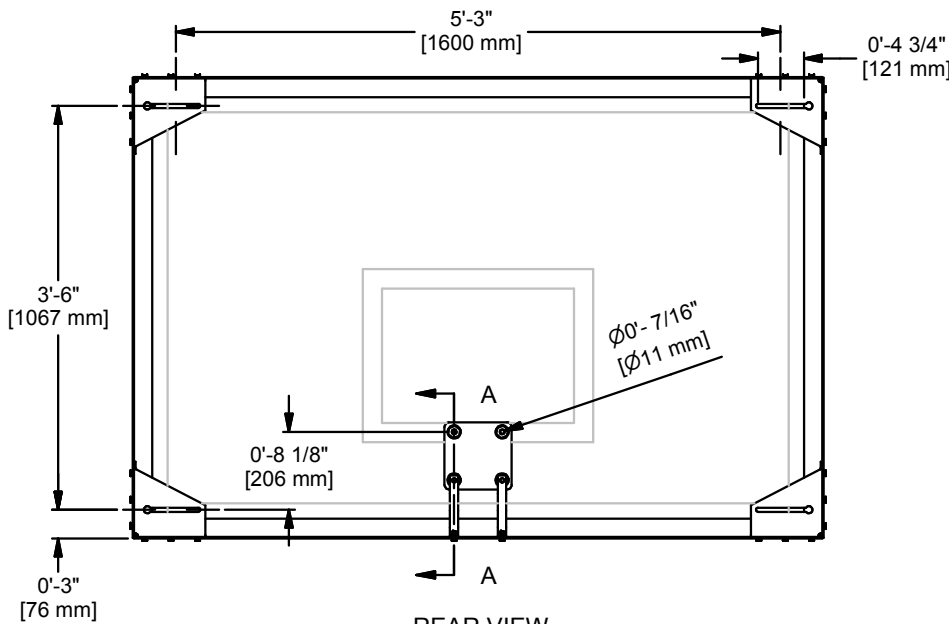


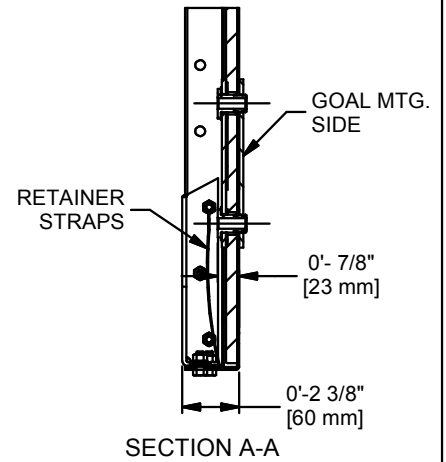
FRONT VIEW



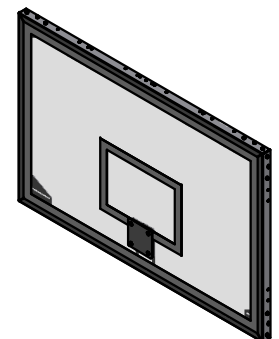
SIDE VIEW



REAR VIEW



SECTION A-A



MATERIAL IS 1/2" THICK TEMPERED GLASS WITH STEEL FRAME
 FINISH IS GRAY POWDER COAT ON BRACKETS AND PLATES..

D	JJC	11/22/17
C	RWP	06/08/09
B	RWP	06/06/08
A	JJC	12/01/03
REV	BY	DATE

THIS DOCUMENT CONTAINS TRADE SECRET AND OTHER MATERIALS WHICH ARE PROTECTED BY CONFIDENTIALITY NOTICE AND AGREEMENT AND BY COPYRIGHT. ANY USE OR COPYING OF THIS DOCUMENT EXCEPT AS AUTHORIZED BY GARED HOLDINGS, LLC IS STRICTLY PROHIBITED.

48" X 72" STEEL FRAME GLASS BACKBOARD

DRAWN	CONNERLEY	DATE	5/2/2003	DATE ISSUED
APPROVED		DATE		
FILE LOC. Q:\Inventor Files\				
SIZE	SCALE	SHT. NO.	PART NO.	REV
A	NONE	1 OF 2	RG	D



MODEL RG

STEEL FRAME 72" X 48" RECTANGULAR GLASS BACKBOARD

The RG backboard shall be fabricated with a steel frame constructed of formed steel angles, formed and fastened together and connected with heavy gauge steel mounting brackets to reinforce corners. Manufacturer of backboard shall have over ten years experience producing such item. Backboard shall meet NCAA and high school requirements.

Entire frame and components shall be powder coated with a durable neutral gray finish. Shock insulating pads shall be used between steel goal mounting plate and glass to protect board against possible breakage.

Glass shall be ½" in thickness and fully tempered with white border and target lines permanently fused onto surface. 12mm glass will not be considered equal to ½" glass, with a nominal thickness range of .485" to .515", and will not be used as a substitute for full ½" glass. Vinyl shock absorbing material shall insulate glass from frame. Goal mounting holes shall be on standard 5" horizontal and 5" vertical centers.

ACCESSORIES

GOALS

Compatible goals are models 1000, 2000+, 2500, 3000, 20123T-A (Snap A), and 5500. See goal section in specification manual.

Subject to design change and current manufacturing practices.