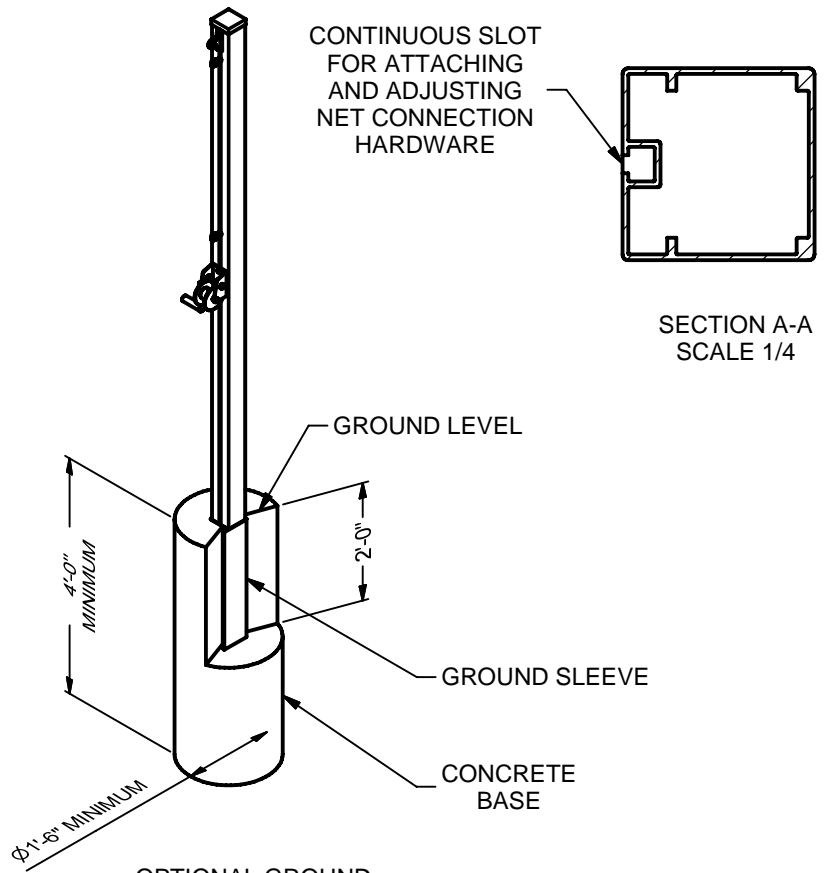


STANDARD PERMANENT IN-GROUND INSTALLATION



OPTIONAL GROUND SLEEVE INSTALLATION

REV	BY	DATE

**PSS**  
PERFORMANCE  
SPORTS SYSTEMS

**GARED**

Gared Holdings, LLC  
9200 E. 146th St. Noblesville, IN 46060

THIS DOCUMENT CONTAINS TRADE SECRET AND OTHER MATERIALS WHICH ARE PROTECTED BY CONFIDENTIALITY NOTICE AND AGREEMENT AND BY COPYRIGHT. ANY USE OR COPYING OF THIS DOCUMENT EXCEPT AS AUTHORIZED BY GARED HOLDINGS, LLC IS STRICTLY PROHIBITED.

**4" SQUARE OUTDOOR VOLLEYBALL SYSTEM**

DRAWN	CONNERLEY	DATE	2/11/2010	DATE ISSUED	2/11/2010
APPROVED	CONNERLEY	DATE	2/11/2010		

FILE LOC. Q:\Inventor Files\Specification Files\Volleyball

SIZE	SCALE	SHT. NO.	PART NO.	REV
A	NONE	1 OF 1	ODVB40SQ	



**MODEL ODVB40SQ**  
**OUTDOOR VOLLEYBALL SYSTEM**

**RECOMMENDED APPLICATION**

Designed for use in a school, park, or playground environment.

**SPECIFICATIONS**

The ODVB40SQ shall be constructed of 4" square high strength alloy aluminum uprights. Each upright shall have a continuous groove for net attachment hardware and winch to provide for infinite net heights from ground to 7'-11 5/8". One upright shall have a net tensioning winch to adjust the tension of the top net cable. All hardware shall be galvanized or plated to protect against corrosion.

Net shall measure 32' in length and 3' in height. Net headband shall have a 2" heavy-duty vinyl top and 1-1/2" bottom. Net cable shall be 40' in length and be 1/8" thick. Cable shall also have a coated steel top with vinyl-coated tape bottom.

Net shall be tightened with a ratchet winch, and is only compatible with those volleyball standards utilizing a single winch. Net shall weigh 5 lbs.

**NET**

Model ODVBNET

**OPTIONAL EQUIPMENT**

Model 6828 – 4" Square Ground Sleeve (Must be specified and ordered separately)

Model 6815 – Conversion Kit for Sand/Beach Volleyball (Sold Separately)