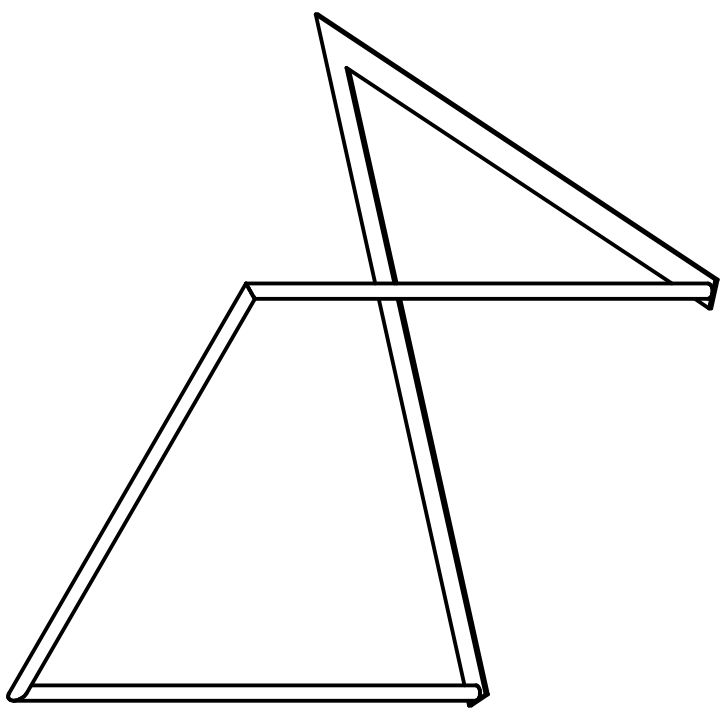
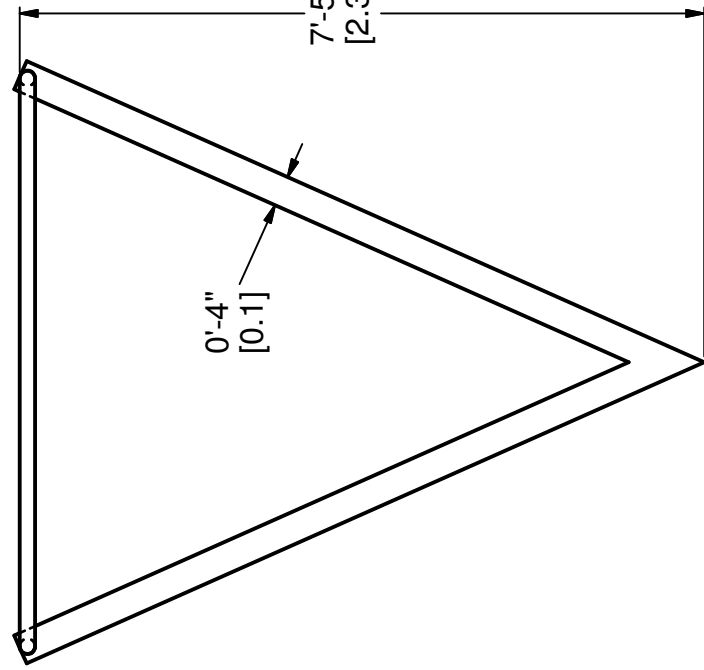


NOTE: HEAVY GAUGE GALVANIZED
STEEL POWDER COAT ORANGE
NET ATTACH BY LACING CORD
NET 4mm SQ



Gared Holdings, LLC
Noblesville, IN 46060

REV	BY	DATE

THIS DOCUMENT CONTAINS TRADE SECRET AND OTHER MATERIALS WHICH ARE PROTECTED BY CONFIDENTIALITY NOTICE AND AGREEMENT AND BY COPYRIGHT. ANY USE OR COPYING OF THIS DOCUMENT EXCEPT AS AUTHORIZED BY GARED HOLDINGS, LLC IS STRICTLY PROHIBITED.

LG200			
DRAWN	PERRY	DATE	DATE ISSUED
APPROVED		DATE	
FILE LOC: Q:\Inventor Files\			
SIZE	SCALE	SHT. NO.	PART NO.
A		1 OF 1	LG200
REV			