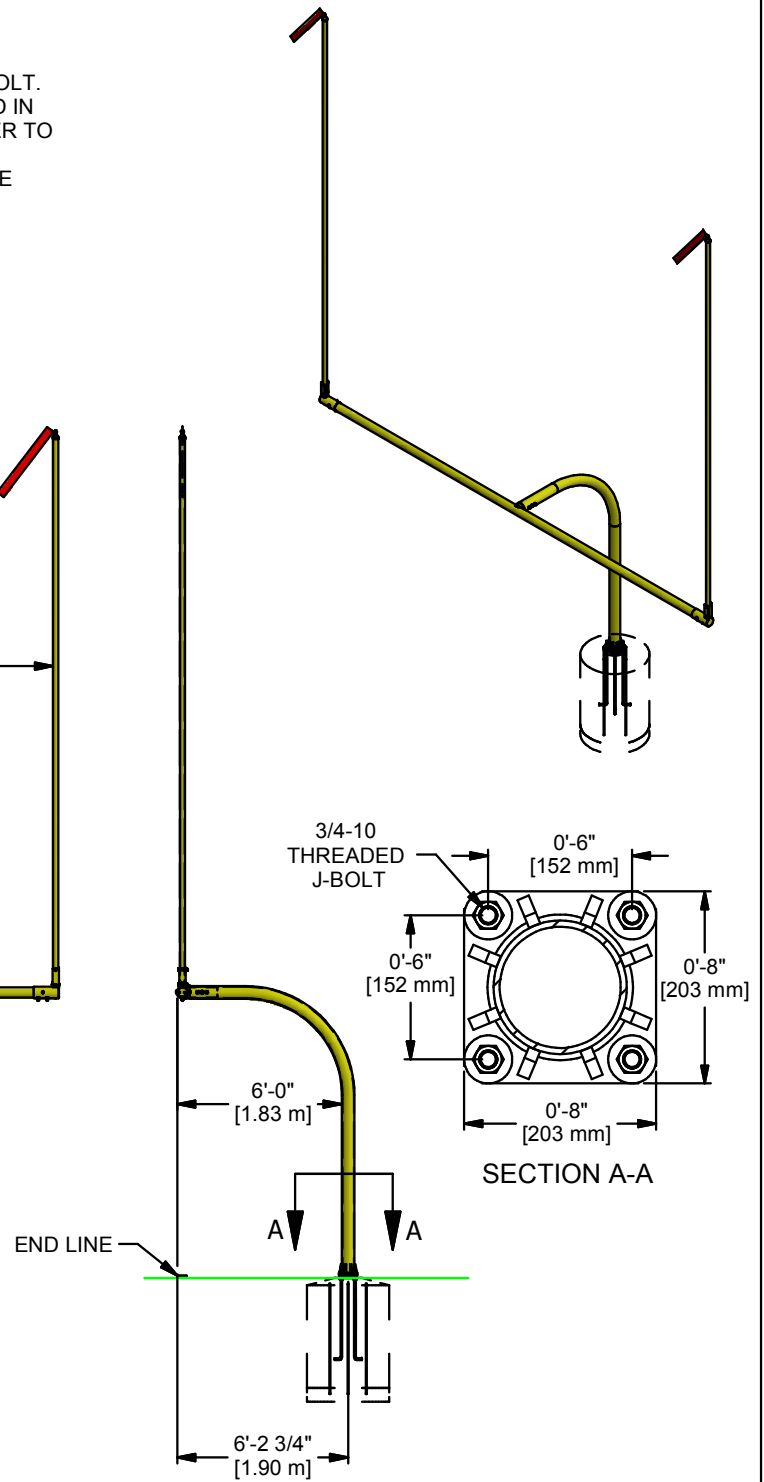
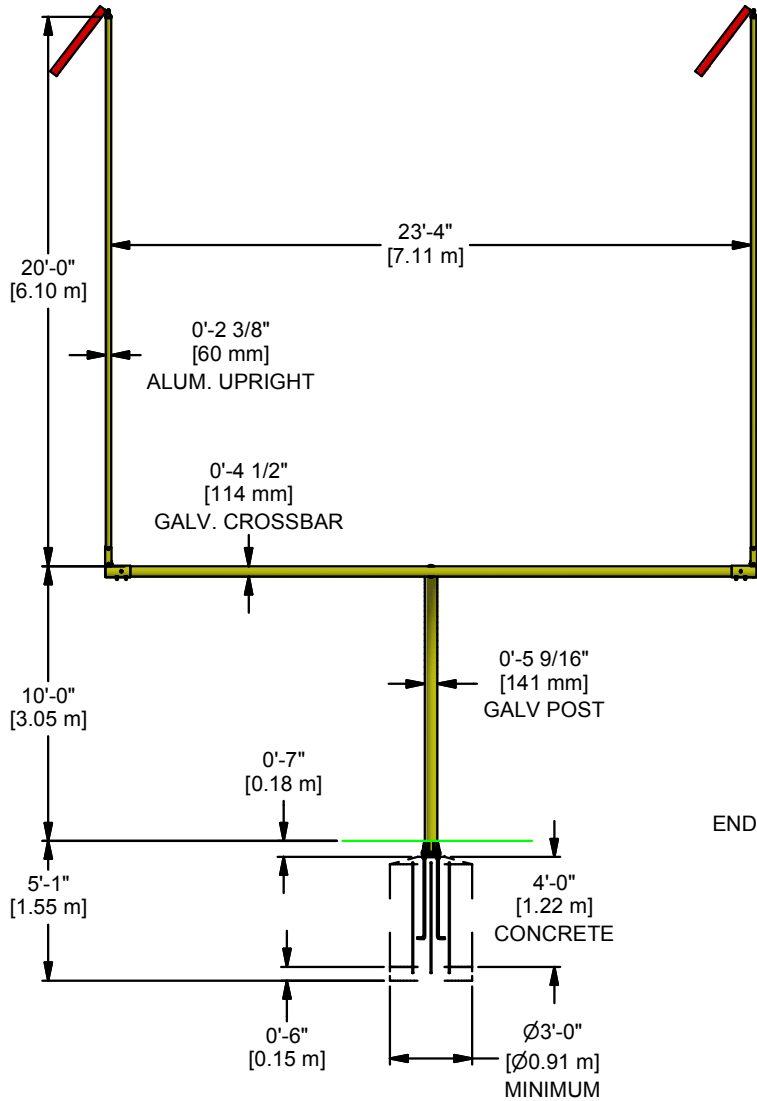


NOTES:

1. GOOSENECK AND CROSSBAR ARE GALVANIZED STEEL
2. UPRIGHTS ARE HEAVY WALL ALUMINUM TUBING.
3. CROSSBAR RETAINS LEVEL BY SET SCREWS AND LOCKING BOLT.
4. GOOSENECK, CROSSBAR, AND UPRIGHTS CAN BE FURNISHED IN EITHER WHITE OR YELLOW POWDER COAT FINISH. CUSTOMER TO SPECIFY COLOR AT TIME OF ORDER.
5. THREADED ROD CAST INTO CONCRETE FOUNDATION MUST BE SQUARE WITH FIELD END LINE.
6. CONCRETE/GRAVEL FOUNDATION NOT INCLUDED.
7. OPTIONAL POST PADS SOLD SEPARATELY.
8. MODEL FGP601P CONSISTS OF (2) GOAL POSTS.



B	WDC	12-22-15
REV	BY	DATE



Gared Holdings, LLC
9200 E. 146th St. Noblesville, IN 46060

THIS DOCUMENT CONTAINS TRADE SECRET AND OTHER MATERIALS WHICH ARE PROTECTED BY CONFIDENTIALITY NOTICE AND AGREEMENT AND BY COPYRIGHT. ANY USE OR COPYING OF THIS DOCUMENT EXCEPT AS AUTHORIZED BY GARED HOLDINGS, LLC IS STRICTLY PROHIBITED.

F'BALL GOAL, 5-9/16 POST, HS, PLATE MNT

DRAWN	CROSBY	DATE	12/22/2015	DATE ISSUED
APPROVED		DATE		

FILE LOC. Q:\Inventor Files\Specification Files\06_Outdoor Products				
SIZE	SCALE	SHT. NO.	PART NO.	REV
A		1 OF 2	FGP601P	B



MODEL FGP601P

HIGH SCHOOL FOOTBALL GOAL POST 6' OFFSET Permanent Adjustable Plate Mounting

This unit uses a gooseneck design to meet all NFSHSA specs. Goal measures 30' high with a 6' offset. Crossbar measures 23'-4" between uprights. Gooseneck post is 5 9/16" O.D. powder coated over galvanized steel. Crossbar is 4 1/2" O.D powder coated over galvanized steel. Uprights are 2 3/8" O.D aluminum tubing. Uprights measure 20' above crossbar. Wind flags are included.

Unit shall be designed for permanent installation. Upright mounting anchors to be installed in a concrete footing approximately 36" in diameter and 55" deep. Post shall mount with the use of four 3/4" diameter threaded anchors through the lower post plate.

This model goal post is not compatible with ground sleeves.

Concrete for installation not included.

Colors are selected by specifying one of the part numbers listed below on the order.

FGP601P	Galvanized gooseneck & crossbar
FGP601PW	White gooseneck, crossbar and upright
FGP601PY	Yellow gooseneck, crossbar and upright

Optional Equipment

GSPPAD4	Protective post pad for posts up to 6" O.D.
---------	---

Protective pads are 6' high for installation around post areas where body contact may occur. Constructed of high density urethane foam covered with 18 oz. mildew resistant and UV resistant coated vinyl. Available in the following colors: red, white, green, yellow, royal blue, black, purple, orange, and gray.