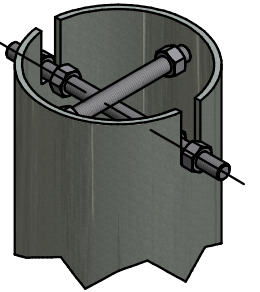


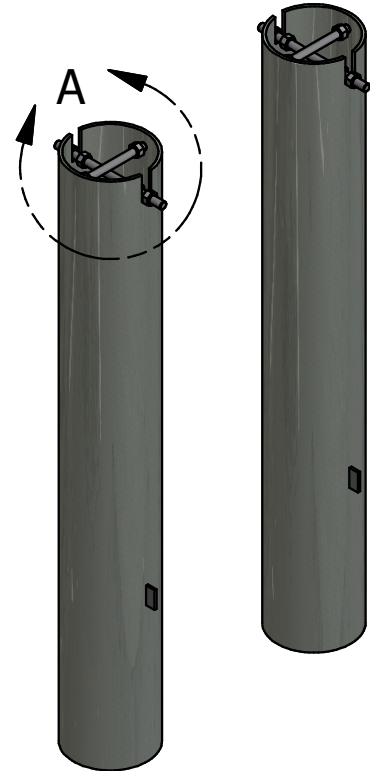
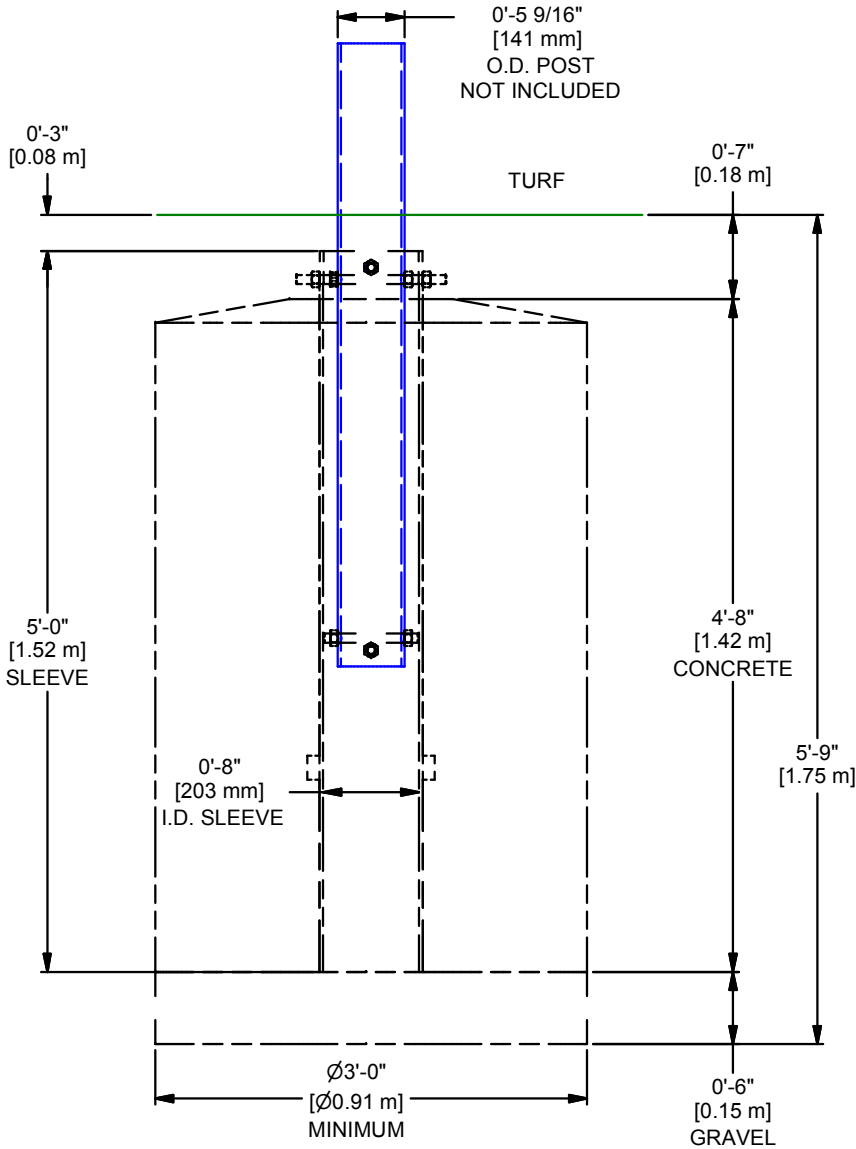
**NOTES:**

1. CENTER OF HOLE TO BE 6'-3" FROM END LINE OF FIELD.
2. ADD 6" GRAVEL LAYER AND POUR FOOTING WITH SLEEVE DRAINING INTO GRAVEL AS SHOWN.
3. SLOT IN TOP OF SLEEVE MUST BE IN LINE WITH CENTERLINE OF PLAYING FIELD.
4. SLEEVE KIT INCLUDES THREADED ROD AND NUTS FOR POST ADJUSTMENT.
5. SLEEVE MATERIAL IS 8 5/8" O.D. HEAVY WALL GALVANIZED TUBING.
6. FGP600GS IS ONE PAIR OF SLEEVES.

SLOT IN SLEEVE  
ALIGNED WITH  
CENTERLINE OF  
PLAYING FIELD.



**DETAIL A**



C	WDC	03-04-16
REV	BY	DATE




**Gared Holdings, LLC**  
9200 E. 146th St. Noblesville, IN 46060

THIS DOCUMENT CONTAINS TRADE SECRET AND OTHER MATERIALS WHICH ARE PROTECTED BY CONFIDENTIALITY NOTICE AND AGREEMENT AND BY COPYRIGHT. ANY USE OR COPYING OF THIS DOCUMENT EXCEPT AS AUTHORIZED BY GARED HOLDINGS, LLC IS STRICTLY PROHIBITED.

**GROUND SLEEVE, 8 5/8" OD, 5 9/16" POST**

DRAWN	CROSBY	DATE	3/4/2016	DATE ISSUED
APPROVED		DATE		
FILE LOC. Q:\Inventor Files\Specification Files\06_Outdoor Products				
SIZE	SCALE	SHT. NO.	PART NO.	REV
<b>A</b>		1 OF 2	<b>FGP600GS</b>	<b>C</b>



## **MODEL FGP600GS**

### **GROUND SLEEVE FOR 5 9/16" DIA. GOAL POST**

Ground sleeve constructed of 8 5/8" O.D. heavy wall galvanized tubing. Sleeve is 60" long and is equipped with vertical slot to accept threaded rod through post to prevent rotation. Sleeve comes complete with all threaded rods and nuts to fit the standard 5 9/16" goal post. Two plates welded to the OD of the sleeve provide anti-rotation of sleeve in concrete footing.

Sleeve shall be designed for permanent installation. Sleeve to be installed with a concrete footing approximately 36" in diameter and 63" deep. Post shall extend approximately 35" into sleeve.

Ground sleeve kit is for a pair of posts.

**Concrete and rebar for installation not included.**

Subject to design change and current manufacturing practices.  
Revised May 31, 2016 ©2008 Gared Holdings, LLC