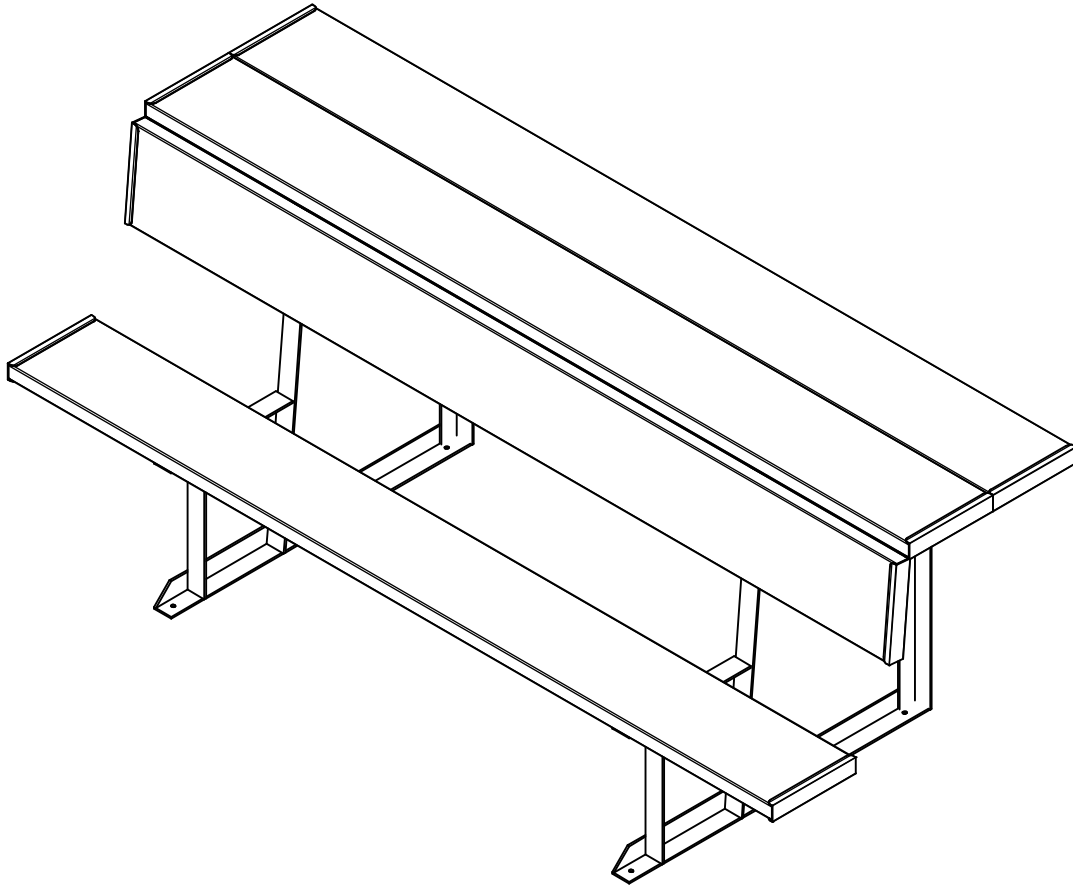


BENCH - SURFACE MOUNT WITH SHELF

BE08PTWS, BE15PTWS, BE21PTWS, and BE27PTWS



Installation and Assembly Instructions



Gared Holdings, LLC
9200 E. 146th St.
Noblesville, IN 46060

BENCH WITH SHELF

FILE LOC. Q:\Inventor Files\

DATE

5/1/2014

SHT. NO.

1 OF 5

PART NO.

BE--PTWS ai

REV

Introduction/Liability Disclaimers

Thank you for your purchase of the Bench with shelf. This guide will provide information on the proper assembly and installation methods of your bleachers.

Please note that a Bill of Materials is being included with this guide. Please check that all of the parts called out on the Bill of Materials are present prior to beginning assembly. Please do not substitute for factory parts. Please contact the PSS or Gared Sports customer service department and allow them to determine if substitute parts are acceptable.

It is recommended that an individual who has been properly trained perform assembly and set up of the bleachers. No one under the age of 18 should attempt assembly or set up of the unit, unless properly supervised.

To prevent normal wear and tear from shortening the life of the unit, preventative maintenance inspections and repairs should be performed at least once per year. If the units are subject to high or unusual usage, inspections should be scheduled to occur more frequently. If items are found to be nonconforming, replacements can be ordered from PSS or Gared Sports or one of our authorized dealers. When contacting PSS or Gared Sports, please have information regarding the dealer/installer who sold the unit, the name of the project, and any applicable warranty information.

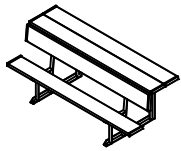
800-325-2682 -- Gared Customers
800-848-8034 -- PSS Customers

Installation and Assembly Instructions



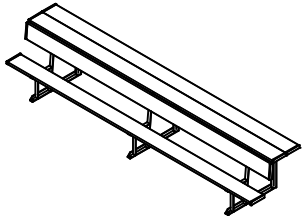
Gared Holdings, LLC
9200 E. 146th St.
Noblesville, IN 46060

BENCH WITH SHELF			
FILE LOC. Q:\Inventor Files\			
DATE	SHT. NO.	PART NO.	REV
5/1/2014	2 OF 5	BE--PTWS ai	



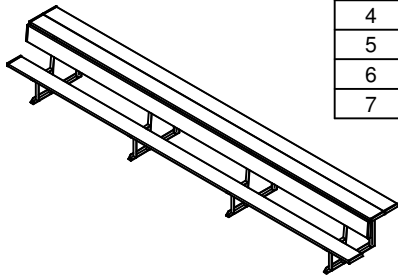
BE08PTWS

MATERIAL LIST				
ITEM	QTY	PART NUMBER	DESCRIPTION	LENGTH
1	2	498001160	FRAME WELDMENT, BENCH W/SHELF	
2	16	498011035	MOUNTING CLIP	
3	16	501-5-18-16G	BOLT, CARRIAGE 5/16-18 UNC X 1 GALV	
4	16	548-5-18G	HEX NUT, SERRATED FLANGE 5/16-18 GALV	
5	4	198011026-8AN	PLANK, SEAT 10" ANNODIZED X 7.5'	90.00 in
6	8	498011033	END CAP, BLEACHER SEAT	
7	16	6044-11-00	1/8" POP RIVET	



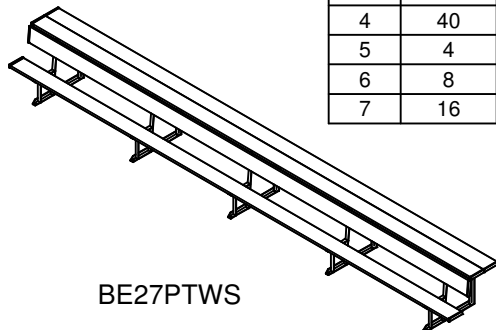
BE15PTWS

MATERIAL LIST				
ITEM	QTY	PART NUMBER	DESCRIPTION	LENGTH
1	3	498001160	FRAME WELDMENT, BENCH W/SHELF	
2	24	498011035	MOUNTING CLIP	
3	24	501-5-18-16G	BOLT, CARRIAGE 5/16-18 UNC X 1 GALV	
4	24	548-5-18G	HEX NUT, SERRATED FLANGE 5/16-18 GALV	
5	4	198011026-15AN	PLANK, SEAT 10" ANNODIZED X 15'	180.00 in
6	8	498011033	END CAP, BLEACHER SEAT	
7	16	6044-11-00	1/8" POP RIVET	



BE21PTWS

MATERIAL LIST				
ITEM	QTY	PART NUMBER	DESCRIPTION	LENGTH
1	4	498001160	FRAME WELDMENT, BENCH W/SHELF	
2	32	498011035	MOUNTING CLIP	
3	32	501-5-18-16G	BOLT, CARRIAGE 5/16-18 UNC X 1 GALV	
4	32	548-5-18G	HEX NUT, SERRATED FLANGE 5/16-18 GALV	
5	4	198011026-21AN	PLANK, SEAT 10" ANNODIZED X 21'	252.00 in
6	8	498011033	END CAP, BLEACHER SEAT	
7	16	6044-11-00	1/8" POP RIVET	



BE27PTWS

MATERIAL LIST				
ITEM	QTY	PART NUMBER	DESCRIPTION	LENGTH
1	5	498001160	FRAME WELDMENT, BENCH W/SHELF	
2	40	498011035	MOUNTING CLIP	
3	40	501-5-18-16G	BOLT, CARRIAGE 5/16-18 UNC X 1 GALV	
4	40	548-5-18G	HEX NUT, SERRATED FLANGE 5/16-18 GALV	
5	4	198011026-27AN	PLANK, SEAT 10" ANNODIZED X 27'	324.00 in
6	8	498011033	END CAP, BLEACHER SEAT	
7	16	6044-11-00	1/8" POP RIVET	

Installation and Assembly Instructions



Gared Holdings, LLC
9200 E. 146th St.
Noblesville, IN 46060

BENCH WITH SHELF			
FILE LOC. Q:\Inventor Files\			
DATE	SHT. NO.	PART NO.	REV
5/1/2014	3 OF 5	BE--PTWS ai	

1. Install the end caps on each end of the seat plank, back plank, and shelf planks. Slide the end cap onto the plank with the holes on the underside of the plank. Using the holes in the end cap for a guide, drill a 1/8" hole and install the pop rivets to retain the end caps. See Figure 1.

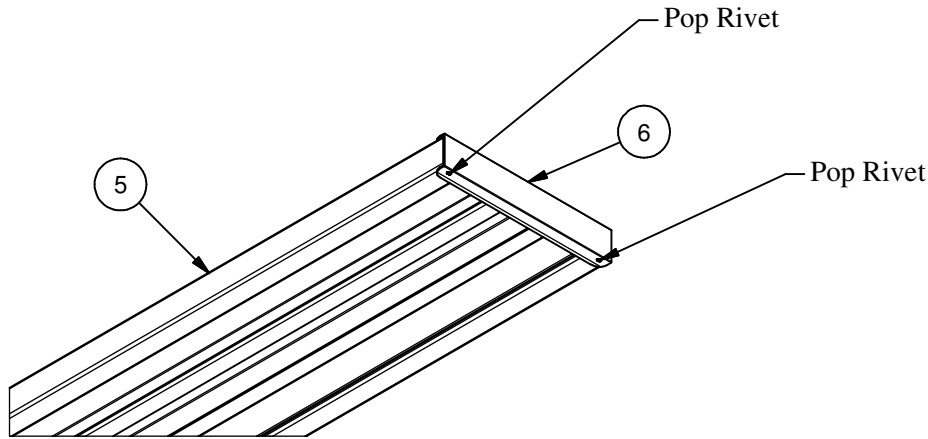


Figure 1

2. Pre-assemble the frames by installing the mounting clips on the frame using the 5/16" x 1" carriage bolt and 5/16" whizlock nut. Only start the nuts a few threads to allow for the clips to be lifted and rotated into the channel of the bleacher plank. These mounting clips, bolts, and nuts are required at every frame position. See Figure 2.

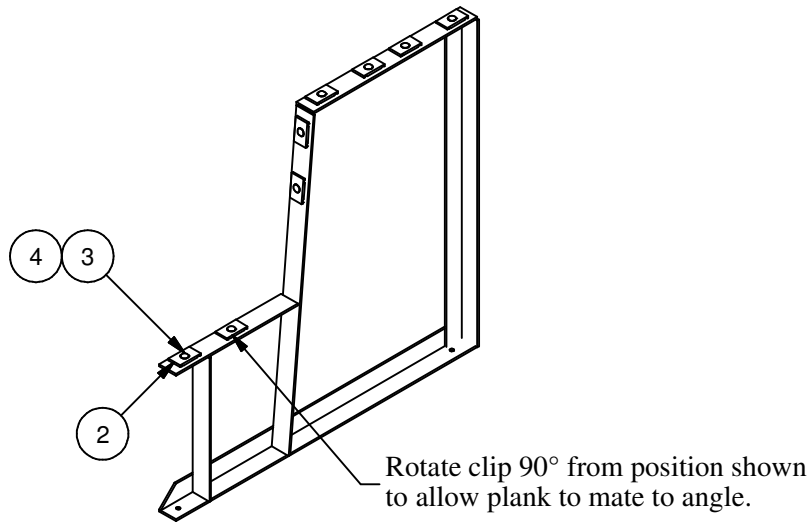


Figure 2

Installation and Assembly Instructions



Gared Holdings, LLC
9200 E. 146th St.
Noblesville, IN 46060

BENCH WITH SHELF

FILE LOC. Q:\Inventor Files\

DATE

5/1/2014

SHT. NO.

4 OF 5

PART NO.

BE--PTWS ai

REV

3. Lay out the frame weldments approximately 4'-6" apart for the BE08WS and approximately 6' apart for the other models. install the seat plank onto one frame and push the clips up into the plank channel, rotate 90° and then finger tighten the nuts. See Figure 3. Next, install the plank onto the second frame. Do not wrench tighten any nuts at this time.

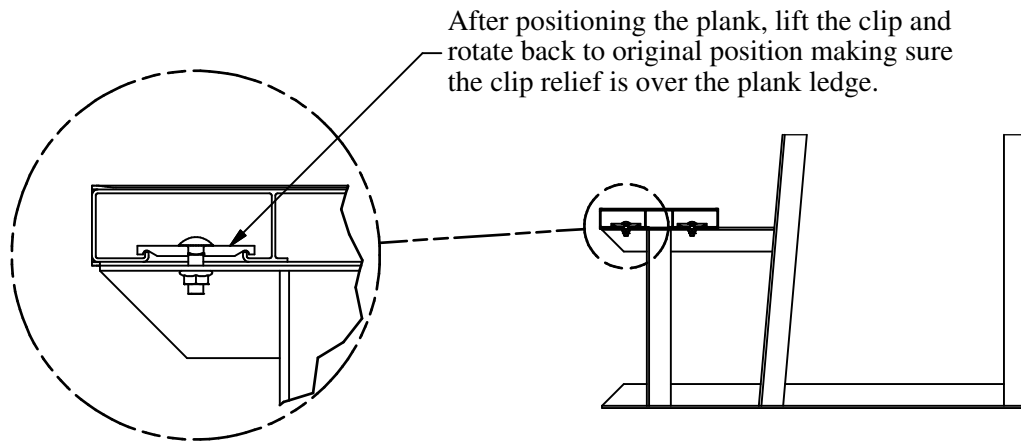
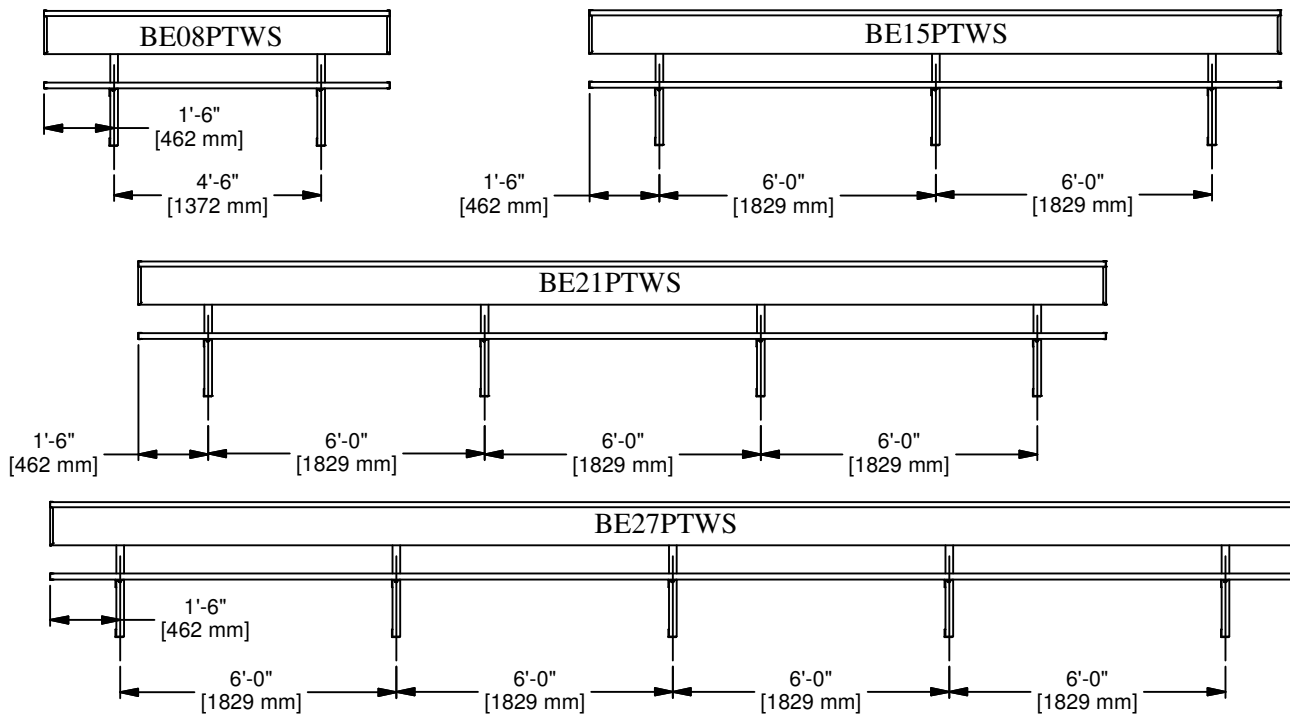


Figure 3

4. Install the shelf planks before installing the seat back plank. Once all the planks have been installed and loosely tightened, adjust the the framse and planks on the frames. The end of all planks should be flush and 18" from the center of the first and last frames. Refer to Figure 4 for final assembly dimensions.



5. Once the frames and planks are aligned, tighten all the mounting clip bolts securely.

Bench assembly is now complete. Position the bench to the desired location and anchor per required local codes.

Installation and Assembly Instructions



Gared Holdings, LLC
9200 E. 146th St.
Noblesville, IN 46060

BENCH WITH SHELF

FILE LOC. Q:\Inventor Files\

DATE 5/1/2014

SHT. NO. 5 OF 5

PART NO. BE--PTWS ai

REV