

GARED

Hoopmaster LT Portable Backstop



Installation, Operation and Maintenance Instructions

Please read all instructions before attempting installation or operation of these units

SAVE THESE INSTRUCTIONS FOR FUTURE USE

Publication No.
551754092



Hoopmaster LT Portable Backstop

Table of Contents

<u>Section</u>	<u>Page No</u>
Item List	2
Introduction	3
Cautions and Warnings	4
Assembly and Setup	5
Unit Operation	10
Maintenance	11



Hoopmaster LT Portable Backstop

Item List

Item	Part Number	Description	QTY
1	Refer to Packing List	Backboard	1
2	Refer to Packing List	Goal	1
3	886404057	Front Main Pad	1
4	886404058	Front Bottom Pad	1
5	886404055	Left Hand Side Pad	1
6	886404056	Right Hand Side Pad	1
7	886404059	Rear Top Pad	1
8	886404060	Rear Bottom Pad	1
9		Yoke Braces	2
10		Yoke plate for main arm	1
11		1mm x 16mm	2
12		1mm x 5mm	2
13		1mm x 4mm	1
14		1mm Washer	5
15		1mm Lockwasher	5
16		1mm Nut	5



Hoopmaster LT Portable Backstop

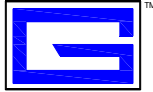
Introduction

Thank you for purchase of a Gared Sports Hoopmaster LT Portable backstop. To ensure that our equipment will provide years of use to you, we are including this installation, operation and maintenance of your portable backstop.

Please note that a bill of materials is being included in this guide. Please check that all of the parts called out on the Bill of Materials are present prior to beginning assembly and setup. Please do not substitute for factory parts. Please contact the Gared Sports customer service department and allow them to determine if substitute parts are acceptable.

It is recommended that an individual who has been properly trained perform assembly and set up of the backstop. No one under the age of 18 should attempt assembly or set up of the unit, unless supervised.

To prevent normal wear and tear from shortening the life of the unit, preventative maintenance inspections and repairs should be performed at least once a year. If the units are subject to high or unusual usage, inspections should be scheduled to occur more frequently. If items are found to be nonconforming, replacements can be ordered from Gared Sports or one of our authorized dealers. When contacting Gared Sports, please have information regarding the dealer/installer who sold the unit, the name of the project, and any applicable warranty information.



GARED™

Hoopmaster LT Portable Backstop

Read and understand the following warnings to prevent possible personal injury and potential damage to the equipment during assembly, setup, and operation.

⚠ DANGER

DO NOT CLIMB ON GOAL, BANKBOARD OR BACKSTOP.

THIS UNIT IS DESIGNED FOR A SPECIFIC OPERATING WEIGHT AND THE ADDED WEIGHT COULD CAUSE DAMAGE AND/OR SERIOUS INJURY TO PERSONNEL.

2036-31-00

⚠ WARNING

DO NOT REMOVE SHIPPING BRACE BEFORE INSTALLING BACKBOARD AND GOAL. REMOVING BRACE WITHOUT BACKBOARD INSTALLED COULD RESULT IN SERIOUS PERSONAL INJURY AND/OR DAMAGE TO UNIT.

126453732

⚠ WARNING

DO NOT REMOVE BACKBOARD BEFORE INSTALLING SHIPPING BRACE ON MAIN BOOM. REMOVING BACKBOARD WITHOUT BRACE INSTALLED COULD RESULT IN SERIOUS PERSONAL INJURY AND/OR DAMAGE TO UNIT.

126453731

⚠ WARNING

SPRINGS ARE PRESET AT FACTORY. ADDITIONAL ADJUSTMENTS MUST BE DONE BY AUTHORIZED FACTORY PERSONNEL.

126453734

⚠ WARNING

SAFETY PIN MUST BE INSTALLED DURING USE, AND REMOVED PRIOR TO LOWERING UNIT.

126453736

⚠ CAUTION

MOVING PARTS! KEEP HANDS, ARMS, BODY CLEAR DURING OPERATION

124252799

⚠ CAUTION

KEEP PERSONNEL AWAY FROM FRONT AND REAR OF UNIT WHILE RAISING OR LOWERING THE BACKBOARD

126453737

⚠ CAUTION

DO NOT STAND OR SIT ON UNIT DURING OPERATION

126453735

⚠ CAUTION

ALWAYS LOWER BACKBOARD TO FULL DOWN POSITION BEFORE ATTEMPTING TO MOVE THE UNIT.

126453740

Before proceeding with assembly, read all instructions and assembly procedures. Make sure all parts have been received and are not damaged.



Hoopmaster LT Portable Backstop

ASSEMBLY

IMPORTANT NOTE:

Before proceeding to the next step, make sure at least three individuals are available to assist with the mounting of the backboard to the unit. A minimum of two, preferably three, individuals is required for safe assembly of the backboard to the unit.

1. Position the backboard to the horizontal boom and install a 3/8-16 x 2" bolt with lock washer and flat washer in the holes of the mounting plate in the backboard as shown in figure 2. Tighten these bolts securely.



Figure 2

ADJUSTMENT BOLT

MOUNTING BOLTS

2. Attach the backboard brace yokes to the brackets on top half of board, using 3/8-16 x 1" hex head bolts with whizlock nuts. Secure braces to bracket on main arm with same bolt. Place bottom support bracket on and tighten in place with 2 3/8-16 x 6" hex head bolts with washers, nuts and lock washers. See Figure 3



Hoopmaster LT Portable Backstop

TOP MOUNTING YOKE BRACE



Figure 3
REAR YOKE BRACE MOUNT

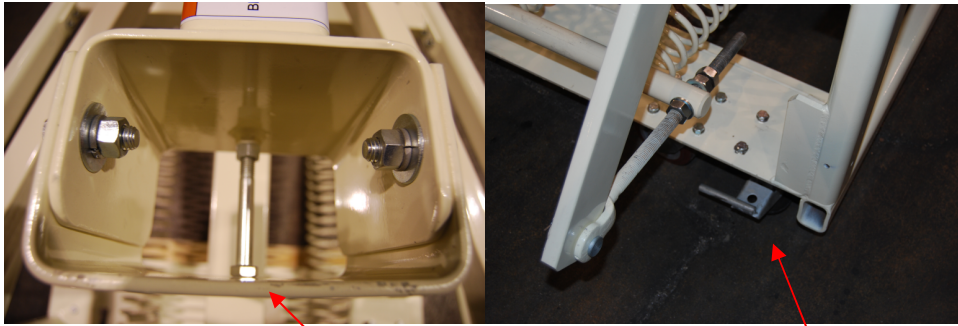
- 3) Remove the shipping bracket from the main boom and store the bracket, threaded rods, and hardware in a location for future use when replacing backboards or storing the unit.



Hoopmaster LT Portable Backstop

SETUP

- 4) To set the unit the pads must be locked in place. Stepping on them can do this. The pads are found at all four corners. Leveling can be done with the adjustment screw.



ADJUSTMENT SCREW

SETTING PADS

- 5) Using masking tape and pencil, Mark the location of the center of the court 4'-0" from the court baseline (refer to figure 5). From this center mark, establish a mark 3'-0" to the left and another mark 3'-0" to the right. These marks will be used to align the face of bank to the court.

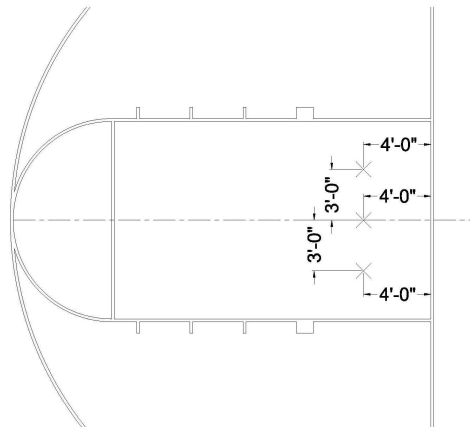


Figure 5

- 6) Push the unit to the playing location on the court. Raise the boom to the 10'-0" playing position. Insert the safety pin into the sliding latch bar at the rear of the unit. Check the goal height at the base of the goal.



Hoopmaster LT Portable Backstop

- 7) To level the backboard in the horizontal plane, loosen the two goal carriage bolts and the two 3/8 bolts at the bottom of the board mounting bracket that attach the bracket to the backboard. Level the board and tighten all four bolts securely.

NOTE:

Do not remove the goal bolts or the 3/8" board mounting bolts. It is only necessary to loosen these bolts. Once the board has been leveled, make sure these bolts are securely tightened.

- 8) To level the backboard in the vertical plane, loosen the two bolts at the rear yoke brace mount on top of the boom. Refer to Figure 7. Using a wrench, adjust the leveling bolt in the board-mounting bracket until the backboard is plumb. Tighten the locking nuts on the leveling bolt. Tighten the two bolts at the rear yoke brace mount securely.

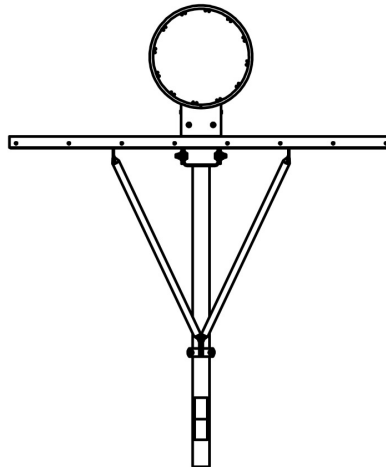


Figure 7

- 8) Attach plumb bobs to the front corners of the backboard. Plumb bobs should hang down from the corners to where they are almost touching the floor.
- 10) Check plumb bobs with marks that were located in step 5. If the plumb bobs do not line up exactly with the marks on the floor, adjust the location of the unit accordingly.



Hoopmaster LT Portable Backstop

- 11) Once the unit is relocated and the plumb bobs are exactly on the marks located in step 5, recheck all dimensions to make sure the 10'-0" playing height is correct and the face of the backboard is 4'-0" in front of the court baseline.
- 12) Attach the backboard padding to the backboard.
- 13) Raise the unit to the playing position and insert the safety pin into the sliding locking bar.
- 14) Install the Upright pad to the front upright using ¼"-20 pan head screws.
- 15) Install the remainder of the padding using the ¼" studs, flat washers, and nuts.



Hoopmaster LT Portable Backstop

Operation

1. Before operating the unit, read all caution, warning, and information labels.
2. To raise the unit from the stored position.
 - a. Make sure the unit is in the correct position on the court.
 - b. Remove the safety pin from the slide bar. Loosen the locking knob.
 - c. Step on the setting pad levers to engage the latches.
 - d. Using the handle on the top of the rear upright, lift the upright and rotate to the full up position.
 - e. Install the safety pin into the slide tube locking bar.
3. To lower the unit from the playing position.
 - a. Remove the safety pin from the slide tube locking bar.
 - b. Using the handle on the top of the rear upright, pull the upright back and rotate it to the full down position.
 - c. The arm should be lowered until the down latch engages the main portion of the upright arm.
 - d. Install the safety pin into the slide tube locking bar. Tighten the locking knob.
4. If the unit is to be moved to storage, make sure the shipping bracket and threaded rod are reinstalled on the unit to prevent accidental raising of the boom. Raise the setting pads until the unit is fully on all four casters.
5. Roll the unit to the storage facility.



Hoopmaster LT Portable Backstop

Maintenance

1. General inspection of equipment when used should be performed to ensure no catastrophic failures have occurred during the course of use between yearly inspections.
2. It is recommended that yearly inspections be conducted to determine if any bolts or other hardware has become worn or loosened.
3. During yearly inspections, check all joints to make sure they are tight and secure. Check all spring adjustment bolts to make sure they are tight and have not moved. Check the board and goal mounting bolts to make sure they are tight. Check the net for wear.
4. Any loose bolts or nuts should be tightened.
5. Replace any components that are missing or worn.