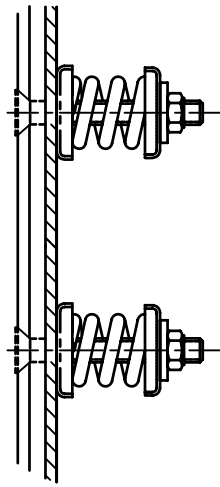
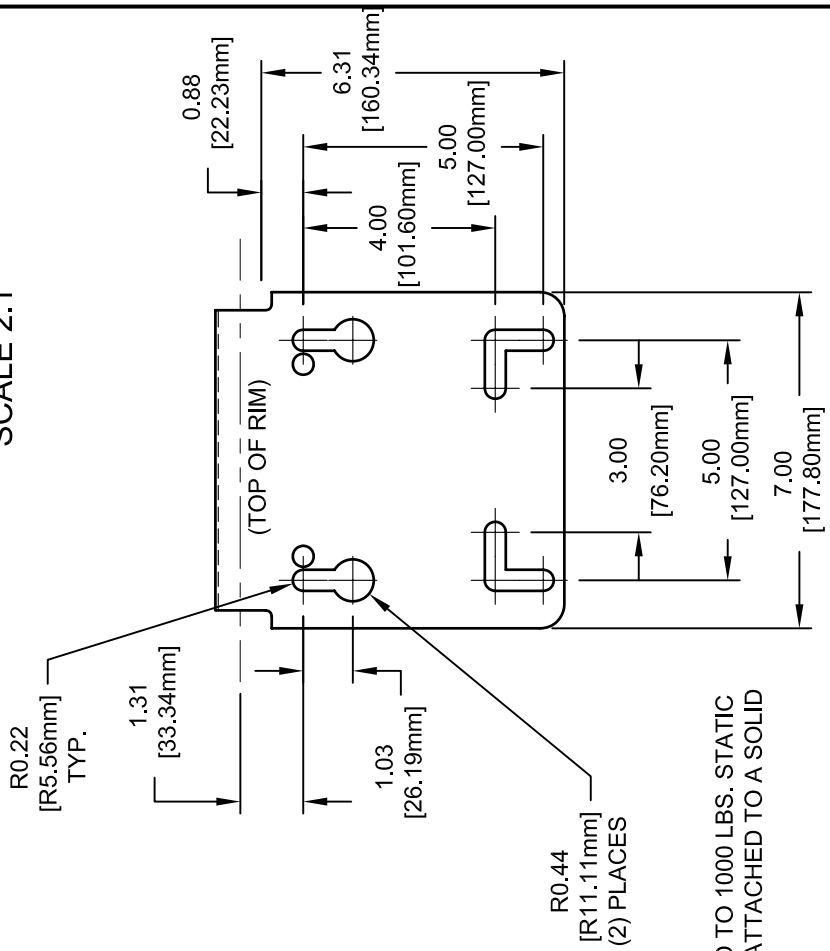
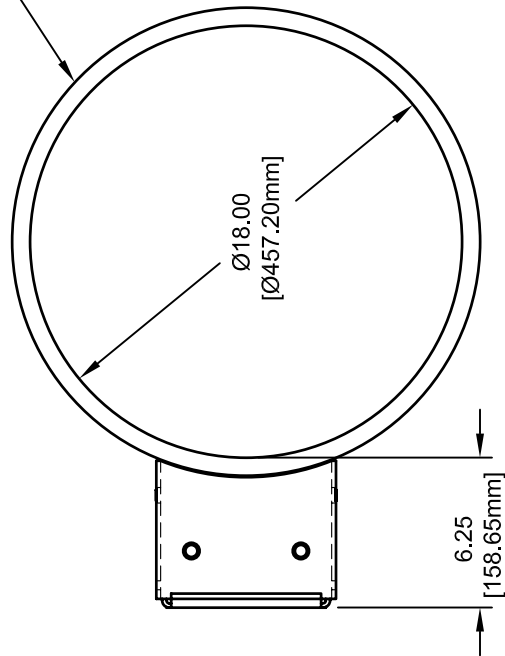


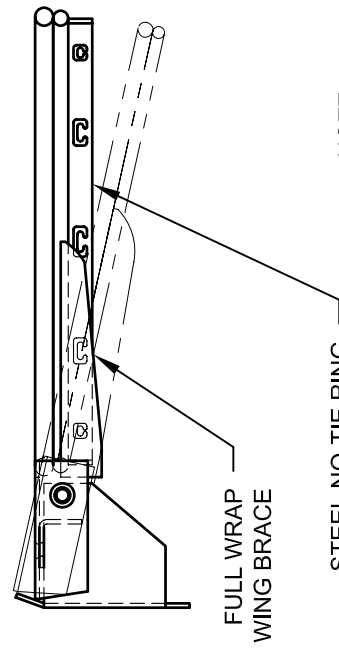
Ø0.75 [19.01] STEEL ROD (UPPER)  
Ø0.63 [15.88] STEEL ROD (LOWER)



DUAL RETURN SPRINGS  
SCALE 2:1



MOUNTING PLATE VIEW  
SCALE 2:1



NOTE:

GOAL TESTED TO 1000 LBS. STATIC LOAD WHILE ATTACHED TO A SOLID COLUMN.

GARED HOLDINGS, LLC DOES NOT RECOMMEND HANGING FROM RIM OR SUSPENDING WEIGHTS FROM RIM.

NOTE:  
OFFICIAL ORANGE POWDER COAT FINISH. GOAL IS SUPPLIED WITH NYLON NET AND MOUNTING HARDWARE.

REVISION		
REV.	DATE	BY
A	04/21/08	JJC



Gared Holdings, LLC  
9200 E. 146th St. Noblesville, IN 46060

THIS DOCUMENT CONTAINS TRADE SECRET AND OTHER MATERIALS WHICH ARE PROTECTED BY CONFIDENTIALITY NOTICE AND AGREEMENT AND BY COPYRIGHT. ANY USE OR COPYING OF THIS DOCUMENT EXCEPT AS AUTHORIZED BY GARED HOLDINGS, LLC IS STRICTLY PROHIBITED.

ENDURANCE 8800 BREAKAWAY GOAL					
DRAWN	SNOW	DATE	04/26/06	MATERIAL	N/A
APPROVED	JJC	DATE	04/26/06	FINISH	AS NOTED
FILE LOC.			Q:\Final Release\Specifications	DWG. NO.	8800
SIZE	SCALE	SHT. NO.	PART NO.	REV	
A	NONE	1 OF 1	8800	A	



## **MODEL 8800**

### **ENDURANCE BREAK-AWAY GOAL**

The 8800 goal shall be constructed with a unique stack spring construction for true rebound consistency. Goal shall double in degrees according to the applied pressure. Goal shall have an official sized 18" ring of 3/4" diameter steel with a secondary lower ring of 5/8" diameter steel and shall be supported by a continuous welded wrap around brace. Goal shall meet NCAA and high school requirements.

Goal shall have a continuous no tie net attachment and orange powder coated finish. Nylon net and hardware shall be included. Universal goal mounting plate will fit hole patterns for most 42" and 48" rectangular backboards and most fan-shaped backboards.

#### **ACCESSORIES**

#### **BACKBOARDS**

Compatible backboards are models LXP4200, AFRG42, RG, AFRG48, FSGII, 1301B, 1342B, 1370B, 1401B, 1442B, 3010RG, 3011RG, ARG, 3050RG, BB48A38, BB60A38, BB60G38, BB72A38, BB72G50, and GP72422. See backboard section in specification manual.