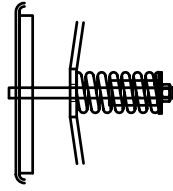
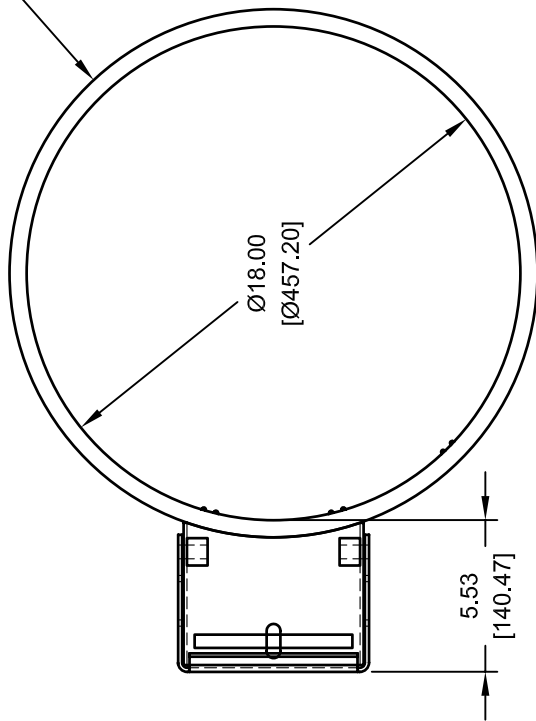
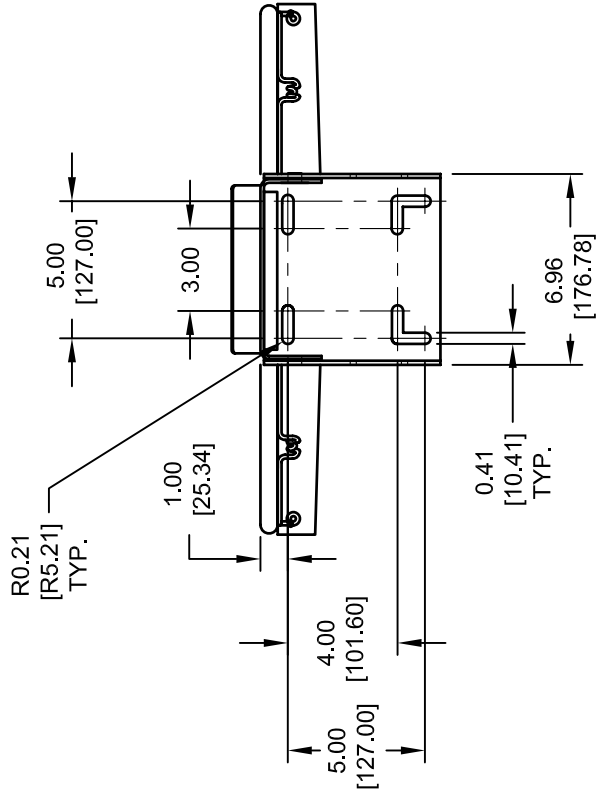


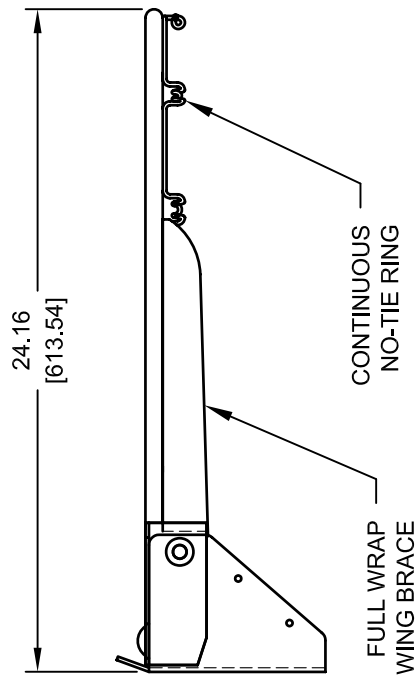
Ø0.62 [15.88] STEEL ROD



SINGLE RETURN SPRING



MOUNTING PLATE VIEW



NOTE:
OFFICIAL ORANGE POWDER COAT FINISH.
GOAL IS SUPPLIED WITH NYLON NET AND
MOUNTING HARDWARE.

REVISION		
REV.	DATE	BY
A	04/21/08	RWP



Gared Holdings, LLC
9200 E. 146th St. Noblesville, IN 46060

THIS DOCUMENT CONTAINS TRADE SECRET AND OTHER MATERIALS WHICH ARE PROTECTED BY CONFIDENTIALITY NOTICE AND AGREEMENT AND BY COPYRIGHT. ANY USE OR COPYING OF THIS DOCUMENT EXCEPT AS AUTHORIZED BY GARED HOLDINGS, LLC IS STRICTLY PROHIBITED.

726 TITAN POWER GOAL					
DRAWN	SNOW	DATE	07/25/05	MATERIAL	N/A
APPROVED	JJC	DATE	07/25/05	FINISH	AS NOTED
FILE LOC. Q:\Final Release\Specifications				DWG. NO.	726
SIZE	SCALE	SHT. NO.	PART NO.	REV	
A	NONE	1 OF 1	726	A	



MODEL 726

BREAK-AWAY GOAL

The 726 goal shall be constructed with a balanced one spring design. Goal shall deflect in degrees according to the applied pressure. Goal shall have an official sized 18" ring of 5/8" diameter steel and shall be supported by a continuous welded wrap around brace.

Goal shall have a continuous no tie ring and orange powder coated finish. Nylon net and hardware shall be included. Universal goal mounting plate will fit hole patterns for most 42" and 48" rectangular backboards and most fan-shaped backboards.

ACCESSORIES

BACKBOARDS

Compatible backboards are models LXP4200, AFRG42, RG, AFRG48, FSGII, 1301B, 1342B, 1370B, 1401B, 1442B, 3010RG, 3011RG, ARG, 3050RG, BB48A38, BB60A38, BB60G38, BB72A38, BB72G50, and GP72422. See backboard section in specification manual.