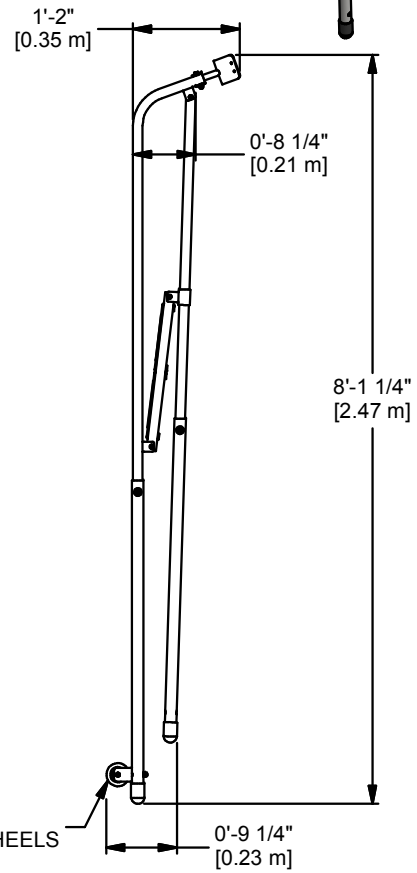
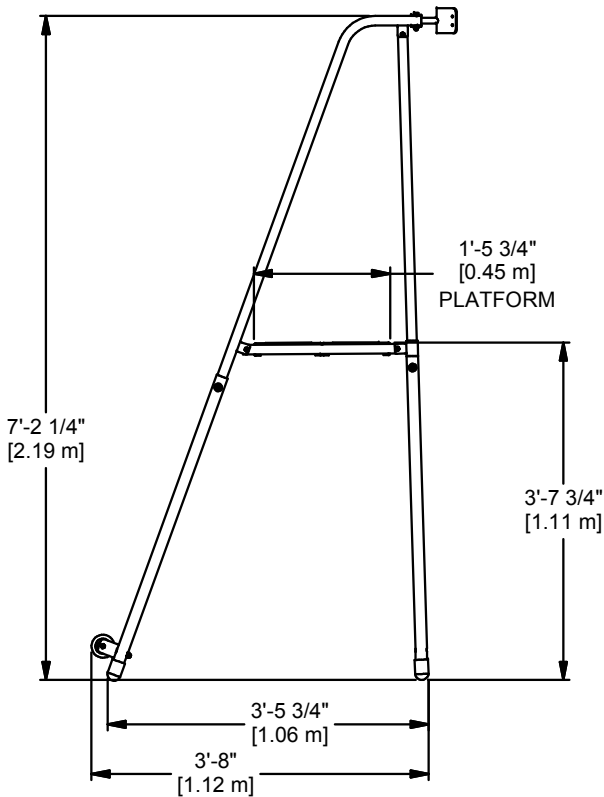
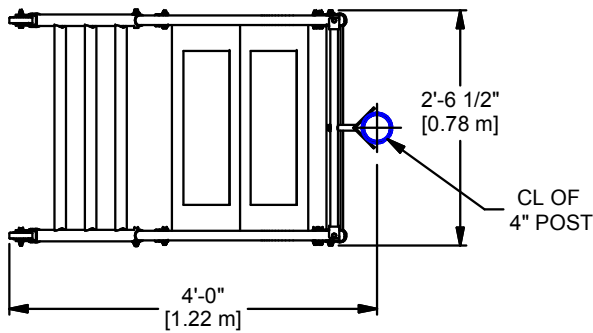


1. TUBULAR STEEL CONSTRUCTION
2. POWDER COAT WHITE
3. OPTIONAL PADDING KIT 6449



FOLDED VIEW

B	WDC	06-23-16
A	WDC	11/03/15
REV	BY	DATE



Gared Holdings, LLC
9200 E. 146th St. Noblesville, IN 46060

THIS DOCUMENT CONTAINS TRADE SECRET AND OTHER MATERIALS WHICH ARE PROTECTED BY CONFIDENTIALITY NOTICE AND AGREEMENT AND BY COPYRIGHT. ANY USE OR COPYING OF THIS DOCUMENT EXCEPT AS AUTHORIZED BY GARED HOLDINGS, LLC IS STRICTLY PROHIBITED.

FOLDING REF STAND

DRAWN	PERRY	DATE	4/7/2014	DATE ISSUED
APPROVED		DATE		
FILE LOC. Q:\Inventor Files\				
SIZE	SCALE	SHT. NO.	PART NO.	REV
A		1 OF 1	6448	B