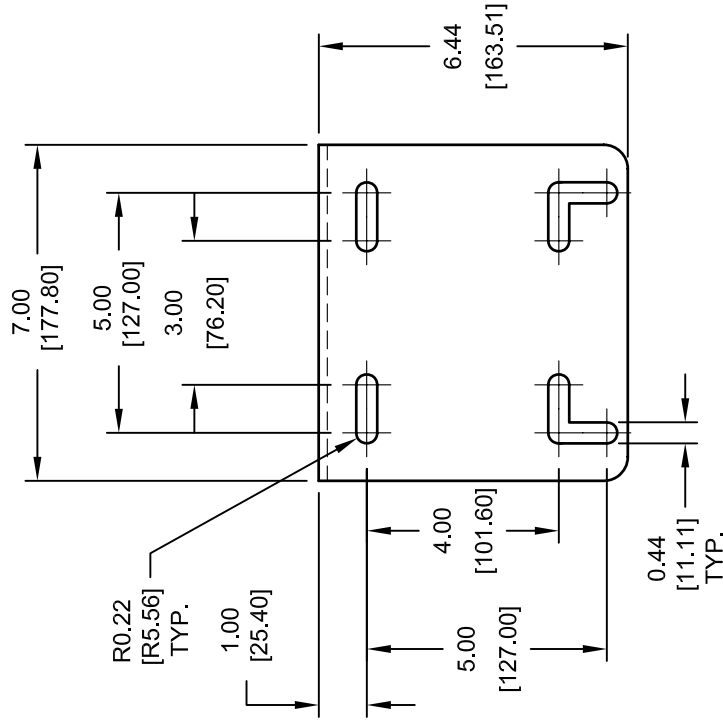
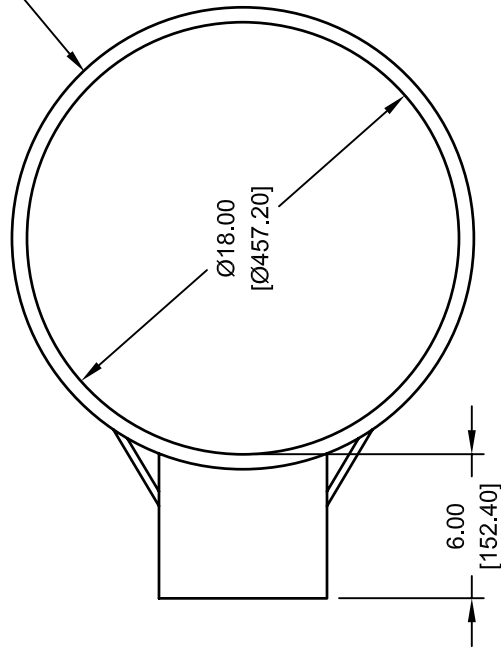
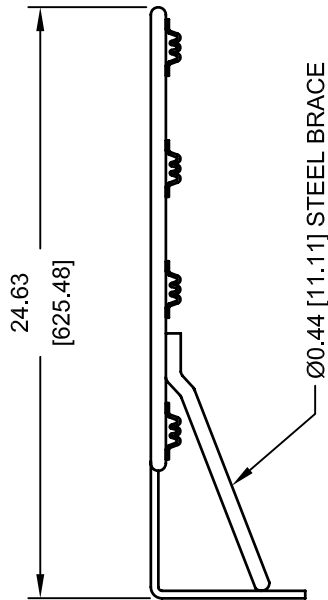


Ø0.62 [15.88] STEEL ROD



MOUNTING PLATE VIEW
SCALE 2:1



NOTE:
FINISH - OFFICIAL ORANGE POWDER COAT.
GOAL IS SUPPLIED WITH NYLON NET AND HARDWARE.

REVISION		
REV.	DATE	BY
A	12/01/03	JJC
B	12/20/06	WAE
C	04/21/08	RWP




Gared Holdings, LLC
9200 E. 146th St. Noblesville, IN 46060

THIS DOCUMENT CONTAINS TRADE SECRET AND OTHER MATERIALS WHICH ARE PROTECTED BY CONFIDENTIALITY NOTICE AND AGREEMENT AND BY COPYRIGHT. ANY USE OR COPYING OF THIS DOCUMENT EXCEPT AS AUTHORIZED BY GARED HOLDINGS, LLC IS STRICTLY PROHIBITED.

STATIONARY HIGH STRENGTH GOAL					
DRAWN	CONNERLEY	DATE	05/07/03	MATERIAL	N/A
APPROVED	JJC	DATE	05/07/03	FINISH	AS NOTED
FILE LOC. Q:\Final Release\Specifications				DWG. NO.	4039
SIZE	SCALE	SHT. NO.	PART NO.	REV	
A	NONE	1 OF 1	4039	C	



MODEL 4039

HIGH STRENGTH STATIONARY FRONT MOUNT GOAL

The 4039 goal shall be constructed with an official sized 18" ring of 5/8" diameter with twelve no-tie net holders. Goal shall be made with high carbon/manganese materials for high strength. Back plate shall be 3/16" thick and 7" wide x 6" long. Brace shall be 7/16" diameter all welded construction.

Goal shall have a durable orange powder coated finish and come complete with nylon net and zinc plated mounting hardware. Universal goal mounting plate will fit hole patterns for most 42", 48", and fan backboards.

ACCESSORIES

BACKBOARDS

Compatible backboards are models 1301B, 1342B, 1370B, 1245T, 1270B, 1272B, 1401B, 1442B, 1750B, RG, AFRG48, and FSGII. See backboard section in specification manual.

Subject to design change and current manufacturing practices.
Revised April 4, 2008 ©2008 Gared Holdings, LLC