

STATIONARY FRONT MOUNT GOALS
Models 39WO, 4039, 3942, 240, 140, 7550, 8550
PN: 301751223 Installation and Maintenance Instructions



WARNING

Failure to follow proper installation procedures can result in damage to goal and possible injury to personnel.
Read and understand all installation instructions before proceeding.

TOOLS REQUIRED:

(2) 9/16" wrenches, level, step ladder

INSTALLATION:

- 1) Remove goal and hardware from box and inspect for shipping damage. Remove the four 3/8" hex bolts from the hardware bag along with four flat washers, lock washers and nuts.
- 2) Install the hex bolts into the universal mounting slots in the goal back plate and through the mounting holes in the board. Secure by installing flat washers, lock washers and nuts onto the hex bolts.
- 3) Check goal for level then torque the four 3/8-16 nuts to 15 – 20 ft-lbs.
- 4) Install the net.

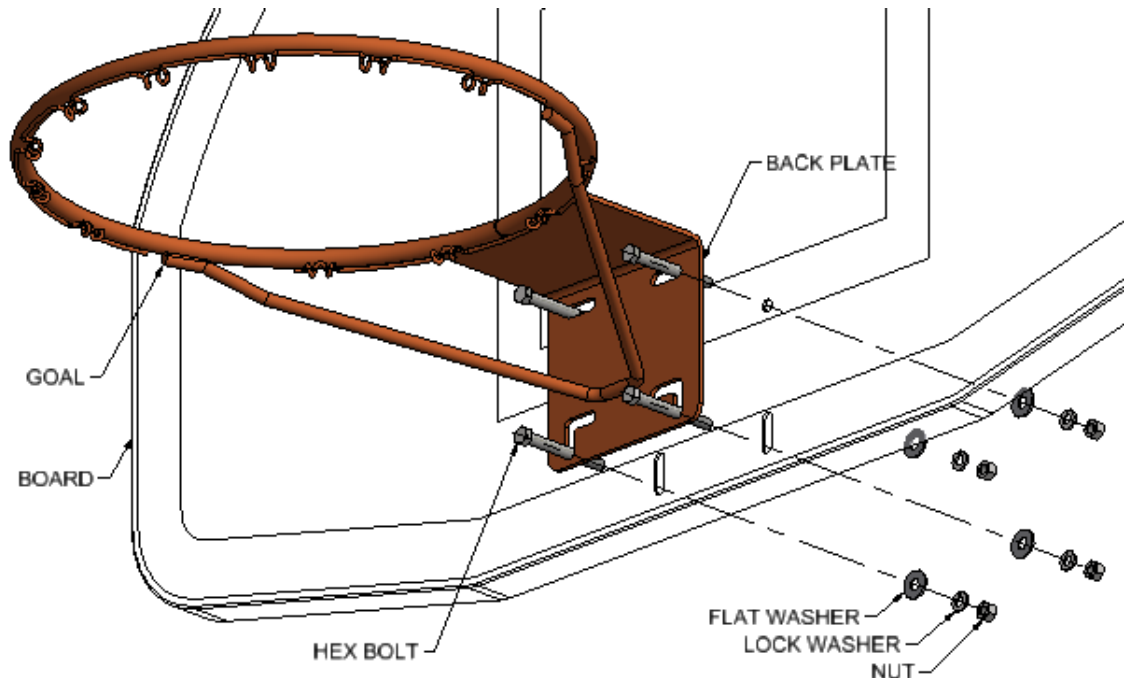


Fig 1: 39WO goal shown, other models mount the same although they may have slightly different features.

MAINTENANCE:

- 1) Annually check goal for damaged or rusting parts. Touch up paint as required. Replace goal if damaged parts are noted.
- 2) Annually check bolt torque.



Performance Sports Systems
800-848-8034
info@perfsports.com

Gared Sports
800-325-2682
CustomerService@garedsports.com

