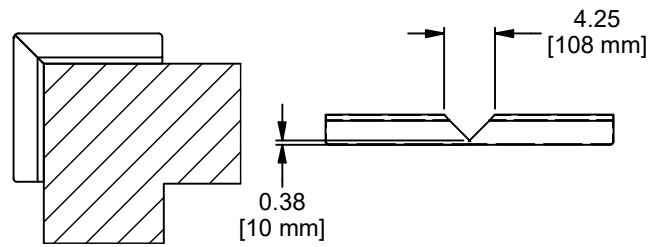
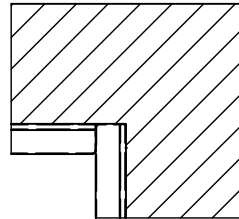


FURRING STRIPS  
BY OTHERS  
HIGHLY RECOMMENDED



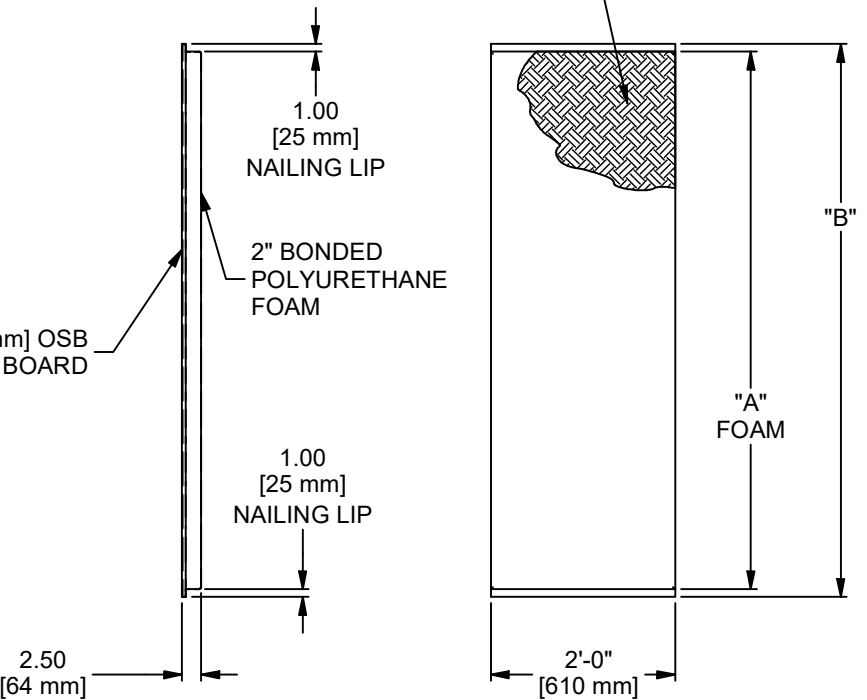
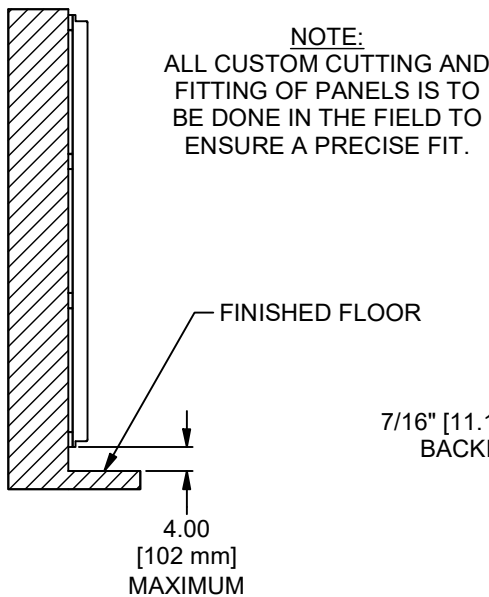
OUTSIDE CORNER DETAIL



INSIDE CORNER  
LAP DETAIL

Part number	"A" Dim	"B" Dim
4120-STD	5'-10" [1778mm]	6'-0" [1829 mm]
4120-NSD	6'-10" [2082 mm]	7'-0" [2134mm]
4120-NSD	7'-10" [2388 mm]	8'-0" [2438 mm]

14 OZ. MIN. POLYESTER LAMINATED  
VINYL (19 OZ POLYESTER LAMINATED  
VINYL OPTIONAL).  
ATTACHED TO BACKING WITH  
STAPLES EVERY 2.00" [50.8 mm]



**WARNING**  
DO NOT INSTALL PADS MORE THAN 4" ABOVE  
THE FINISHED FLOOR. INSTALLING PADS  
ABOVE 4" CAN RESULT IN BODY CONTACT  
WITH THE WALL AND PERSONAL INJURY.

D	CYC	09/20/23
C	MJP	06/09/22
B	MJP	01/28/22
A	JJC	11/20/17
REV	BY	DATE



Gared Performance Sports Systems  
9200 East 146th Street, Suite A  
Noblesville, IN 46060

THIS DOCUMENT CONTAINS TRADE SECRET AND OTHER MATERIALS  
WHICH ARE PROTECTED BY CONFIDENTIALITY NOTICE AND AGREEMENT  
AND BY COPYRIGHT. ANY USE OR COPYING OF THIS DOCUMENT EXCEPT  
AS AUTHORIZED BY GARED PERFORMANCE SPORTS SYSTEMS IS STRICTLY  
PROHIBITED.

**IMPACT2440BND WALL PAD, 2" BONDED**

DRAWN CONNERLEY		DATE 4/17/2013	DATE ISSUED	
APPROVED		DATE		
SIZE <b>A</b>	SCALE NONE	SHT. NO. 1 OF 2	PART NO. <b>4120</b>	REV <b>D</b>



# PERFORMANCE SPORTS SYSTEMS

## MODEL 4120

### **IMPACT2440BND WALL PADDING**

Wall padding standard size (Part number 4120-STD) shall be 6' [1.82 m] x 2' [0.9 m] with 1" [25.4 mm] nailing margin with height options (Part number 4120-NSD) available for both 7' [2.134 m] x 2' [0.9 m] and 8' [2.438 m] x 2' [0.9 m] with 1" [25.4 mm] nailing margin on top and bottom of each panel. Nailing margin reduces foam height from 6' [1.8 m] to 5'-10" [1.77 m], 7' [2.134 m] to 6'-10" [2.083 m], and 8' [2.44 m] to 7'-10" [2.39 m] respectively. Pads shall be constructed using 2" [50.8 mm] thick 6 lbs. density bonded polyurethane foam cemented to 7/16" [11.11 mm] oriented strand board.

Cover material shall be 14-ounce polyester laminated vinyl (19-ounce polyester laminated vinyl optional) stapled to backing every two inches. Vinyl to be flame retardant material, which meets NFPA 701, ASTM E84, and CSFM (California State Fire Marshall). Vinyl shall be available in white, yellow, orange, red, kelly green, forest green, royal blue, marine blue, navy blue, gray, black, burgundy, beige, and purple.

Custom cutting and fitting of padding may be done in field to ensure proper fit. Furring strips by others (highly recommended).

Product tested per ASTM F1292-09 and meets all requirements of ASTM F2440-11.

#### **ACCESSORIES**

#### **WALL ATTACHMENT TRIMS AND HARDWARE**

Most wall padding may be attached with special attachment trims and hardware. See the wall padding section in the specification manual.

Subject to design change and current manufacturing practices.