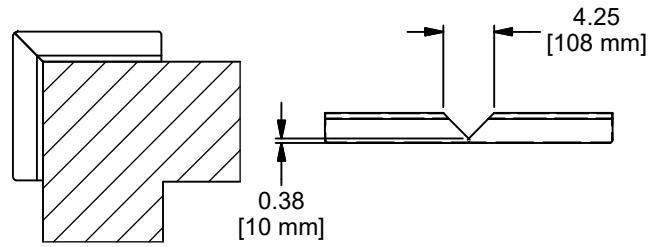
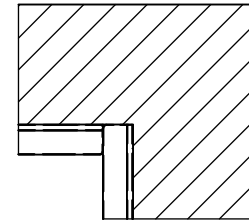


FURRING STRIPS
OPTIONAL



OUTSIDE CORNER DETAIL

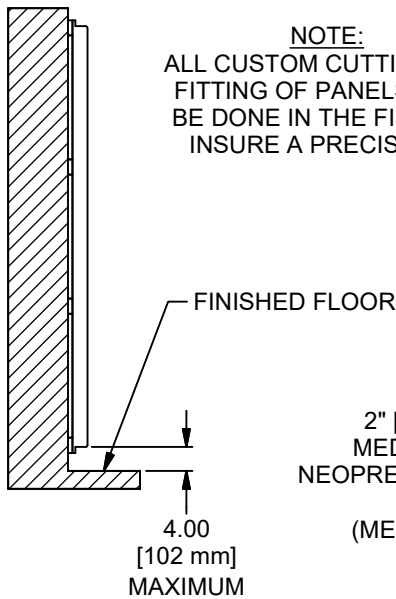


INSIDE CORNER
LAP DETAIL

14 OZ. MIN. POLYESTER LAMINATED
VINYL. ATTACHED TO BACKING WITH
STAPLES EVERY 2.00" [50.8 mm]
MANUFACTURED BY BRUIN PLASTICS OR EQUIV.
(MEETS ASTM E84, CLASS A RATED)

NOTE:

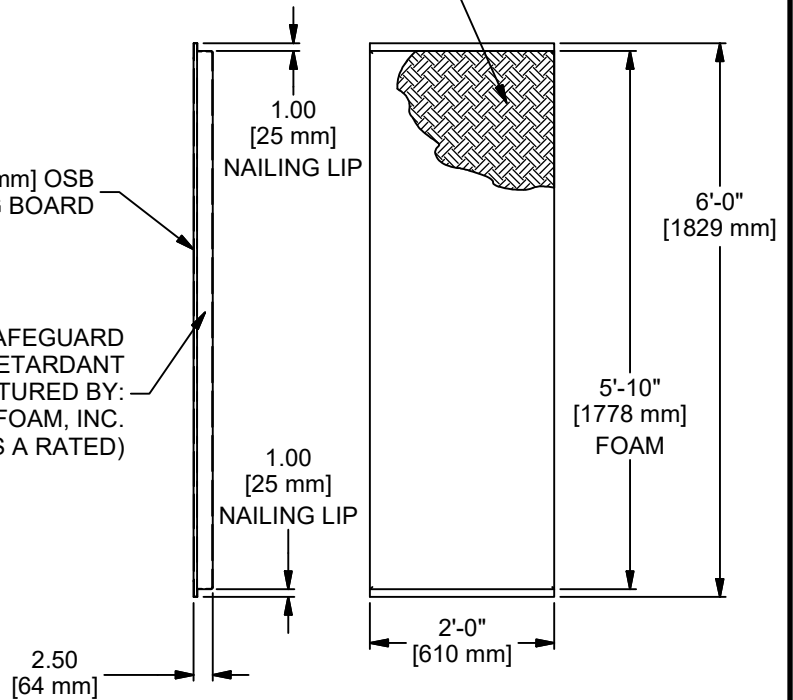
ALL CUSTOM CUTTING AND
FITTING OF PANELS IS TO
BE DONE IN THE FIELD TO
INSURE A PRECISE FIT.



4.00
[102 mm]
MAXIMUM

7/16" [11.11 mm] OSB
BACKING BOARD

2" [50.8 mm] THICK CR SAFEGUARD
MEDIUM DENSITY FIRE RETARDANT
NEOPRENE FOAM. MANUFACTURED BY:
CHESTNUT RIDGE FOAM, INC.
(MEETS ASTM E84, CLASS A RATED)



WARNING
DO NOT INSTALL PADS MORE THAN 4" ABOVE
THE FINISHED FLOOR. INSTALLING PADS
ABOVE 4" CAN RESULT IN BODY CONTACT
WITH THE WALL AND PERSONAL INJURY.



Gared Performance Sports Systems

9200 E. 146th Street, Suite A
Noblesville, IN 46060

THIS DOCUMENT CONTAINS TRADE SECRET AND OTHER MATERIALS WHICH ARE
PROTECTED BY CONFIDENTIALITY NOTICE AND AGREEMENT AND BY COPYRIGHT.
ANY USE OR COPYING OF THIS DOCUMENT EXCEPT AS AUTHORIZED BY GARED
PERFORMANCE SPORTS SYSTEMS IS STRICTLY PROHIBITED.

FIRE RETARDANT WALL PAD

DRAWN CONNERLEY DATE 4/17/2013 DATE ISSUED

APPROVED DATE

FILE LOC. Q:\Inventor Files\

SIZE A	SCALE NONE	SHT. NO. 1 OF 2	PART NO. 4130	REV B
------------------	---------------	--------------------	-------------------------	-----------------

B	MJP	11/03/21
A	JJC	11/20/17
REV	BY	DATE



MODEL 4130

CLASS "A" FIRE RETARDANT WALL PADDING

Wall padding standard size shall be 6' x 2' with 1" nailing margin on top and bottom of each panel. Nailing margin reduces foam height from 6' [1.8 m] to 5'-10" [1.77 m]. Pads shall be constructed using 2" thick CR SafGuard medium fire retardant neoprene foam, as manufactured and patented by Chestnut Ridge Foam, Inc. or equal, and meeting ASTM E84 with a Class A rating meeting Flame-Spread Index of 25 or less, and Smoke Development index of 450 or less. Foam shall be cemented to 7/16" oriented strand board.

Cover material shall be 14-ounce polyester laminated vinyl as manufactured by Value Vinyls or equal, attached to backing with staples every two inches. Vinyl to be flame retardant material meeting ASTM E84, with a Class A rating.

Pad assembly shall meet ASTM E84 with a Class A rating

Vinyl shall be available in white, yellow, orange, red, kelly green, forest green, royal blue, marine blue, navy blue, gray, black, maroon, beige, teal and purple.

See model number code chart for specific model number. Custom padding (thickness, material, and color) and size of padding (height and width) must have written description.

Custom cutting and fitting of padding may be done in field to insure proper fit. Furring strips by others.

ACCESSORIES

WALL ATTACHMENT TRIMS AND HARDWARE

Most wall padding may be attached with special attachment trims and hardware. See the wall padding section in the specification manual.

CERTIFICATIONS:

ASTM E84 Class A Fire Rating
NFPA 286

Subject to design change and current manufacturing practices.