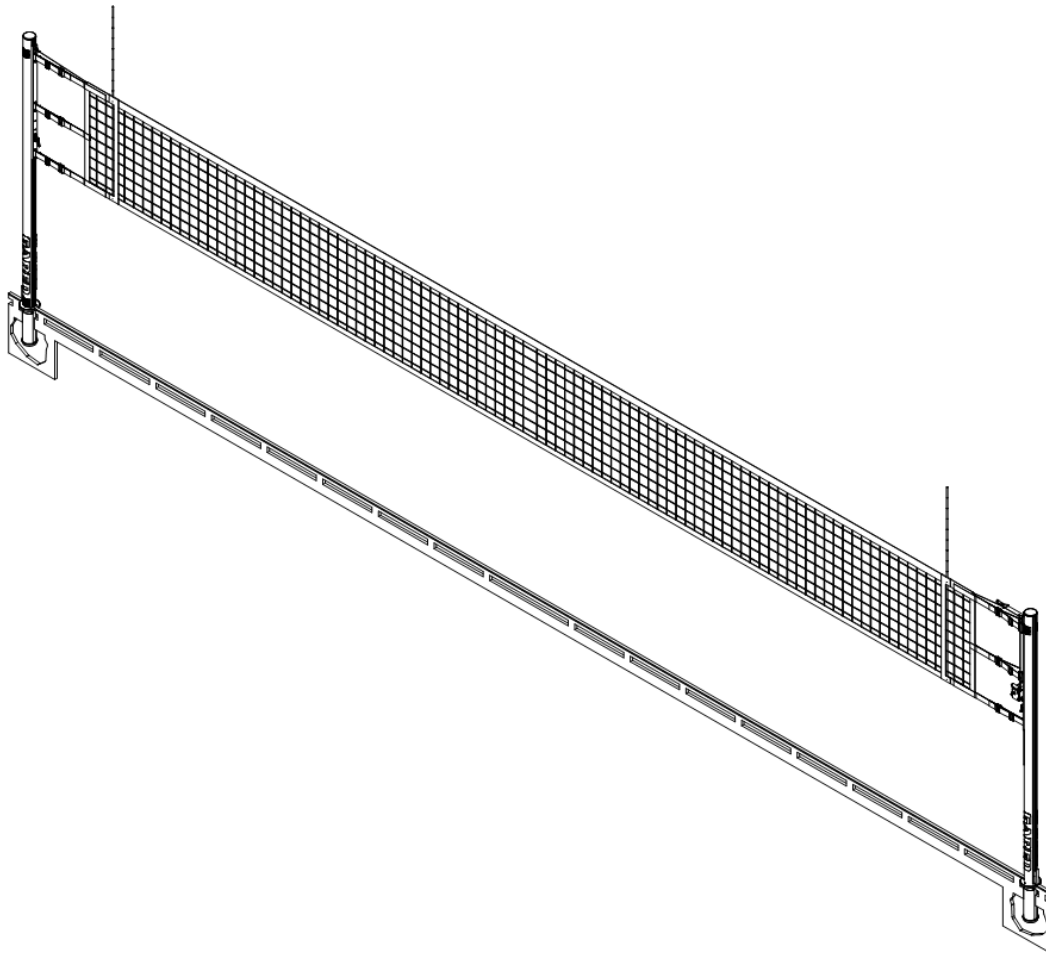




Model: 7200 series
Collegiate Volleyball System



Installation, Operation, and Maintenance Instructions

.....
Please read all instructions before attempting installation or operation of these units
.....

SAVE THESE INSTRUCTIONS FOR FUTURE USE



Table of Contents

<u>Section</u>	<u>Page No.</u>
Introduction	2
Parts List by Sub-Assembly	2-3
Specifications	4-5
Floor Sleeve Installation	6-8
Floor Cover Installation	9
Post and Net Installation Instructions	10-12
Maintenance Check Sheet	13



7200 Collegiate Volleyball System



Introduction

Thank you for your purchase of a model 7200 Collegiate Volleyball System. To ensure that our equipment will provide years of use to you, we are including this installation, operation, and maintenance guide. This guide will provide information on the proper assembly and installation methods, operating procedures, and preventative maintenance of your portable backstop.

Please note that a Bill of Materials is being included with this guide. Please check that all of the parts called out on the Bill of Materials are present prior to beginning assembly and setup. Please do not substitute for factory parts. Please contact the PSS or Gared Sports customer service department and allow them to determine if substitute parts are acceptable.

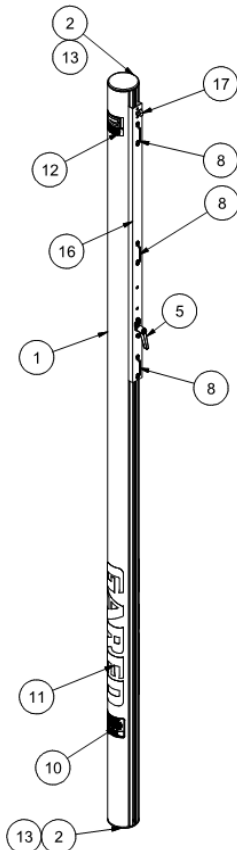
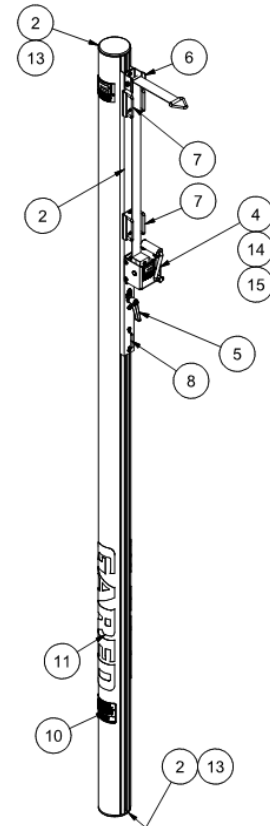
It is recommended that an individual who has been properly trained perform assembly and set up of the volleyball system. No one under the age of 18 should attempt assembly or set up of the unit, unless properly supervised.

To prevent normal wear and tear from shortening the life of the unit, preventative maintenance inspections and repairs should be performed at least once per year. If the units are subject to high or unusual usage, inspections should be scheduled to occur more frequently. If items are found to be nonconforming, replacements can be ordered from an authorized dealer. When contacting your dealer, please have information regarding the name of the project and any applicable warranty information.

7200 SERIES PARTS LIST			MODEL					
			7200	7205	7202	7207	7203	7208
ITEM	PART NUMBER	DESCRIPTION	1 CT	1 CT	2 CT	2 CT	3 CT	3 CT
1	7216	WINCH POST, 7200	1	1	2	2	3	3
2	7210	END POST, 7200	1	1	1	1	1	1
3	7226	CENTER POST W/WINCH, 7200	-	-	1	1	2	2
4	6405	FLOOR SLEEVE, 4" INSIDE DIA.	2	-	3	-	4	-
5	6430	6" BRASS FLOOR COVER - LOW PROFILE	2	-	3	-	4	-
6	6010	UPRIGHT PAD - CUSTOM COLOR	2	2	2	2	2	2
7	6020	CTR UPRIGHT PAD - CUSTOM COLOR	-	-	1	1	2	2
8	601651165	VOLLEYBALL NET	1	1	2	2	3	3
9	1028-22-00	NET ANTENNA	2	2	4	4	6	6
10	7607-22-00	NET SIDELINE MARKER	2	2	4	4	6	6
11	6251	BUCKLE COVERS SET OF (6)	1	1	2	2	3	3
12	7608	NET HEIGHT CHECKER	1	1	1	1	1	1
13	601751793	MANUAL, 7200 VOLLEYBALL SYSTEM	1	1	1	1	1	1

Posts are shipped fully assembled. Verify all parts listed on packing list are present prior to installation.

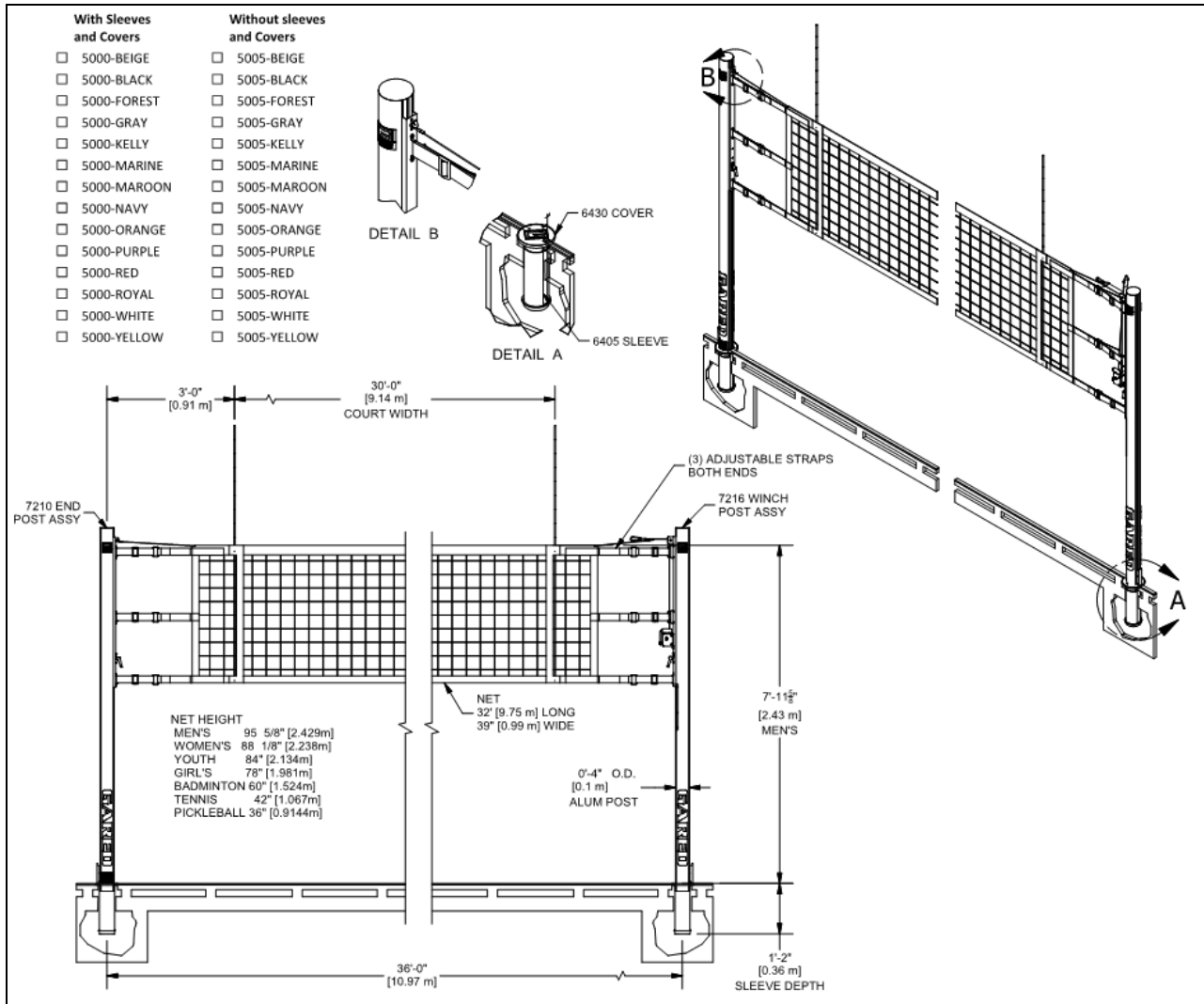
7216 WINCH POST			
Item	QTY	Part Number	Description
1	1	1014-22-00	VOLLEYBALL POST
2	2	1025-22-00A	END CAP (VOLLEYBALL POST)
3	1	604553795	RAIL ASSY, 7200 WINCH , 8' STRAP
4	1	604506673	WINCH, WORM GEAR KIT
5	1	601651827	RAIL LOCK LEVER
6	1	604553662	STRAP BRACKET
7	2	601651739	DOUBLE FOOTMANS LOOP
8	1	2004-22-01	FOOTMANS LOOP
9	1	1282-30-00	5/16" UNIVERSAL SNAP LINK
10	1	2044-31-00	DECAL, ATTN CONSUMER
11	2	121974127	DECAL, GARED TALL BLACK
12	2	121974128	DECAL, "G" 6000 & 7200 POST
13	4	234-10-32-8Z	SCREW, MACH PAN HD PHIL 10-32 UNF X 0.5
14	2	509-5-18-10	HEX SOCKET BUTTON HEAD 5/16-18 X 0.625
15	2	544-5-18	HEX JAM NUT, NYLON LOCK 5/16-18



7210 END POST			
Item	QTY	Part Number	Description
1	1	1014-22-00	VOLLEYBALL POST
2	2	1025-22-00A	END CAP (VOLLEYBALL POST)
5	1	601651827	RAIL LOCK LEVER
8	1	2004-22-01	FOOTMANS LOOP
10	1	2044-31-00	DECAL, ATTN CONSUMER
11	2	121974127	DECAL, GARED TALL BLACK
12	2	121974128	DECAL, "G" 6000 & 7200 POST
13	4	234-10-32-8Z	SCREW, MACH PAN HD PHIL 10-32 UNF X 0.5
16	1	604552249	RAIL ASSY, 7200 END POST
17	1	2002-22-00	5/16" STAINLESS J-HOOK

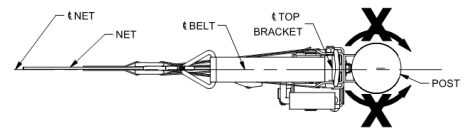
MODEL 7200 COLLEGIATE VB SYSTEM

MODEL 7205 COLLEGIATE VB SYSTEM less SLEEVES AND COVERS



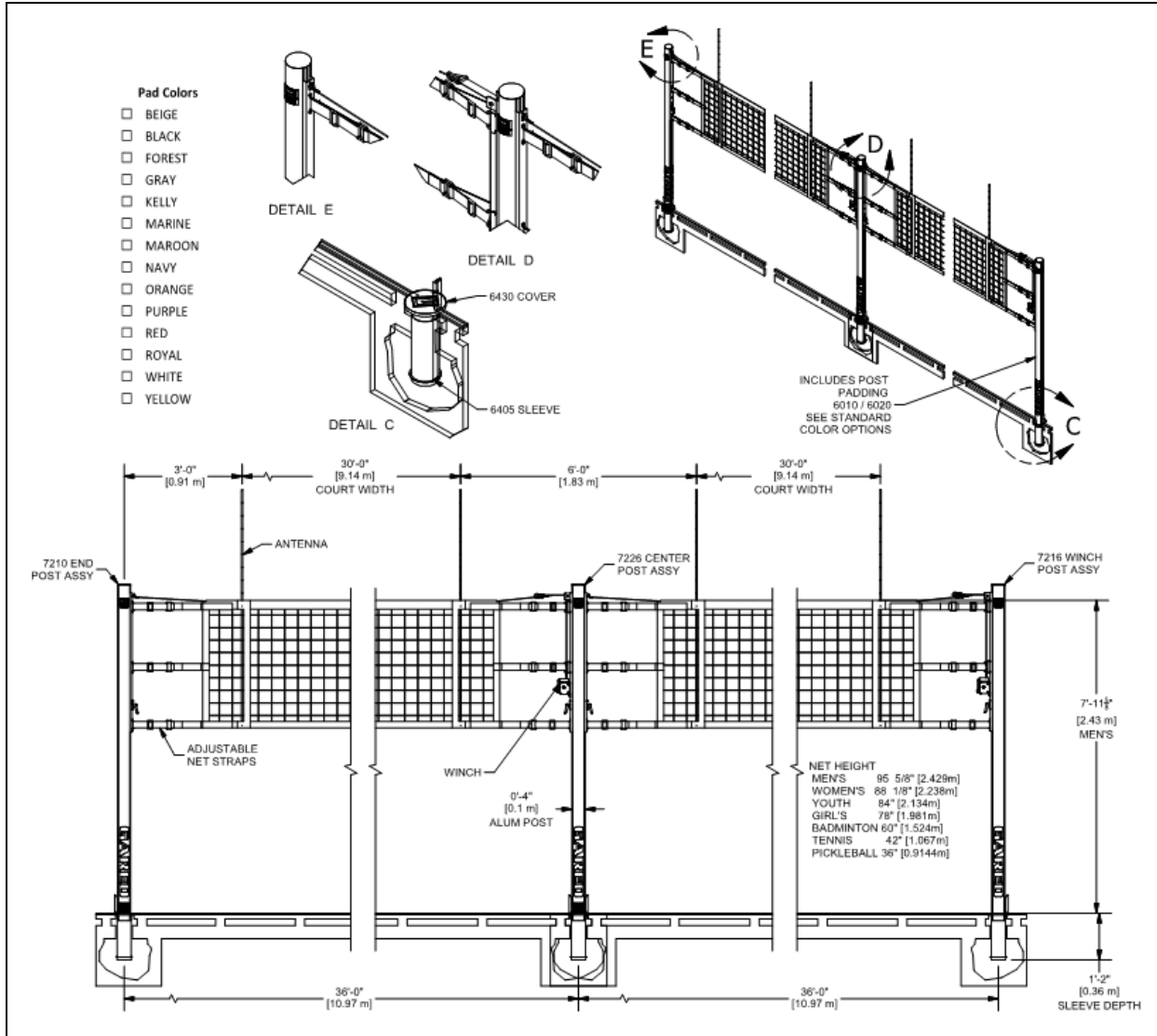
CAUTION

When setting up the system, always make sure the winch post is rotated so the belt is aligned with the net as the net begins to tension. Failure to do so will cause excessive belt wear.



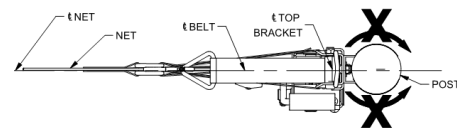
MODEL 7202 COLLEGIATE TWO COURT VB SYS

MODEL 7207 COLLEGIATE TWO COURT VB SYS less SLEEVES AND COVERS



⚠ CAUTION

When setting up the system, always make sure the winch post is rotated so the belt is aligned with the net as the net begins to tension. Failure to do so will cause excessive belt wear.

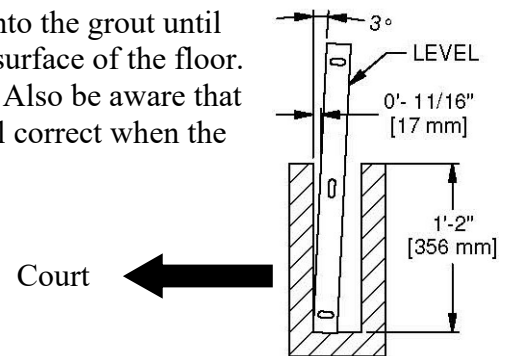


Floor Sleeve Installation

1. Mark (2) spots on the floor exactly 36 feet apart (refer to most recent set of architectural prints for exact locations within the gym). These represent the CENTERS of each sleeve installation. If sleeves are to be more or less than 36 feet apart, contact a PSS or Gared representative for information regarding this alteration.
2. Cut (2) round holes through the playing surface 4-3/4" to 5" diameter centered on the spots marked in step one. (See page 7&8)
3. After cutting out the circle in the surface flooring, cut a similar hole in the concrete slab below. The diameter of this hole should be about 5"; however, the size is not critical. The hole must be large enough to accommodate the sleeve at 3 degrees off vertical.
4. Cut or drill the hole completely through the concrete slab. Under the slab, hollow out (by hand) an area about 16-20" deep from the playing surface. (Refer to page 7 and page 8)
5. Depending on the type of floor, and the supports present under the wood floor, cutting the hole for the sleeve could create a "dead spot" on the floor. This is when a ball does not bounce as high at the install point as it did prior to cutting the hole. If there is concern of this happening additional blocking can be added to alleviate the dead spot.
 - a. Cut (6) blocks of wood 1" to 3" wide, 4" long and thick enough to be able to slide between the cement and the subfloor without pushing the flooring up.
 - b. Make sure cement surface under the subfloor and the bottom of the blocks are clean and dry.
 - c. Apply a small amount of appropriate adhesive to the concrete side of the wood block. ONLY APPLY ADHESIVE TO CONCRETE SIDE OF BLOCK.
 - d. Slide blocks under subfloor with adhesive side toward cement as shown on page 7 and 8.
 - e. Bounce a basketball near the hole to make sure there is no dead spot remaining.
6. A "non-shrink" grout should be used to anchor the sleeve. Pour the grout mixture into the hole until it is just below the BOTTOM of the concrete hole. Cover the sleeve during installation to prevent debris from falling in or grout from entering the bottom of sleeve.

7. Insert the 4-1/4" O.D. steel sleeve and work it down into the grout until the inside bottom of the sleeve is 14" below the TOP surface of the floor. Incorrect sleeve depth will result in a net height error. Also be aware that the sleeve must tilt 3° away from the court. The 3° will correct when the net is installed and tightened.

Note: 3° is approximately 11/16" in 14".



8. Wait a minimum of (7) days to allow the grout to cure before setting up the posts.

9. **Note: A skilled woodworker will be needed for the following operation!**

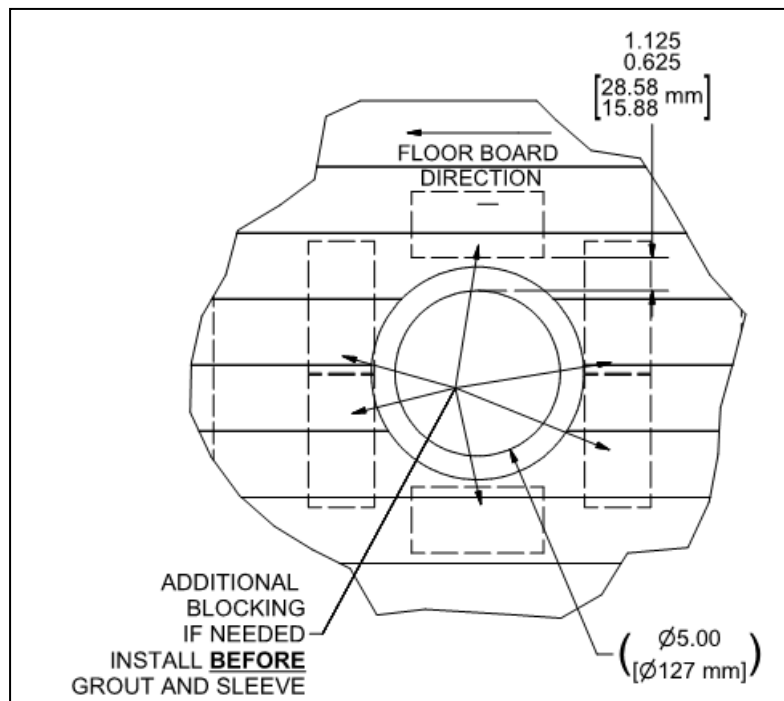
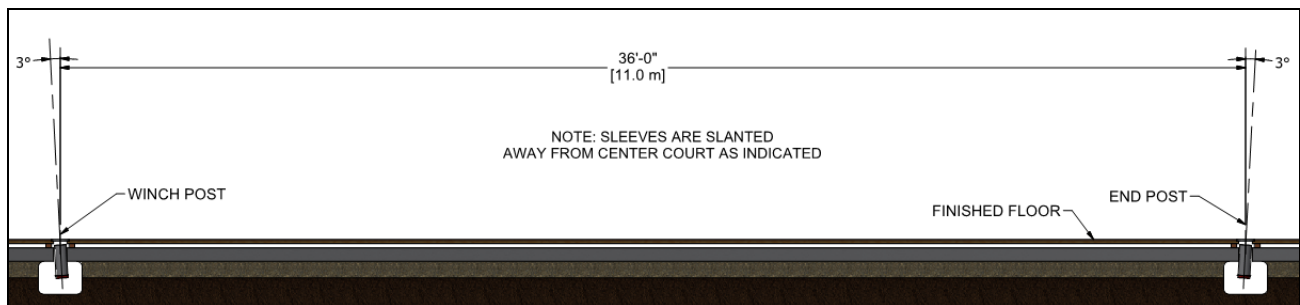
Using a router and template, make a counterbore 6-7/16" diameter by 9/16" deep centered over the original 5" hole in the floor, to receive the brass floor cover. A template can be made from a piece of Masonite or thick plastic. A template is needed to achieve a good and accurate cut. Many router and template combinations are possible. One example of a router and template combination is shown on page 6. A finished counterbore of 6-7/16" diameter is what is important! Practice on a piece of scrap wood first. If the hole is too big, corrections may not be possible!

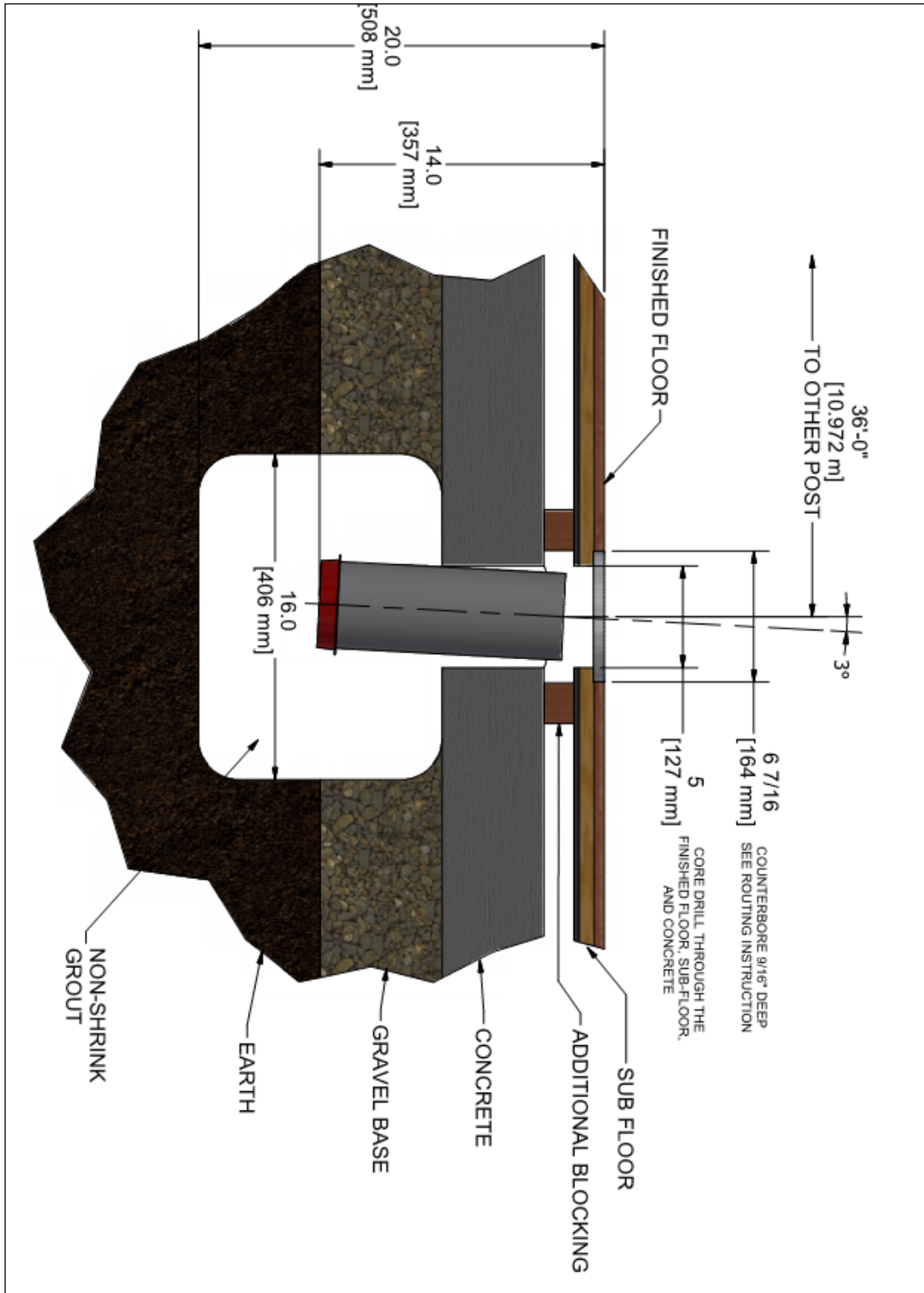
⚠ CAUTION

The dimensions given are for a 6130/6131 floor cover. Carefully confirm exact floor cover diameter and depth before starting.

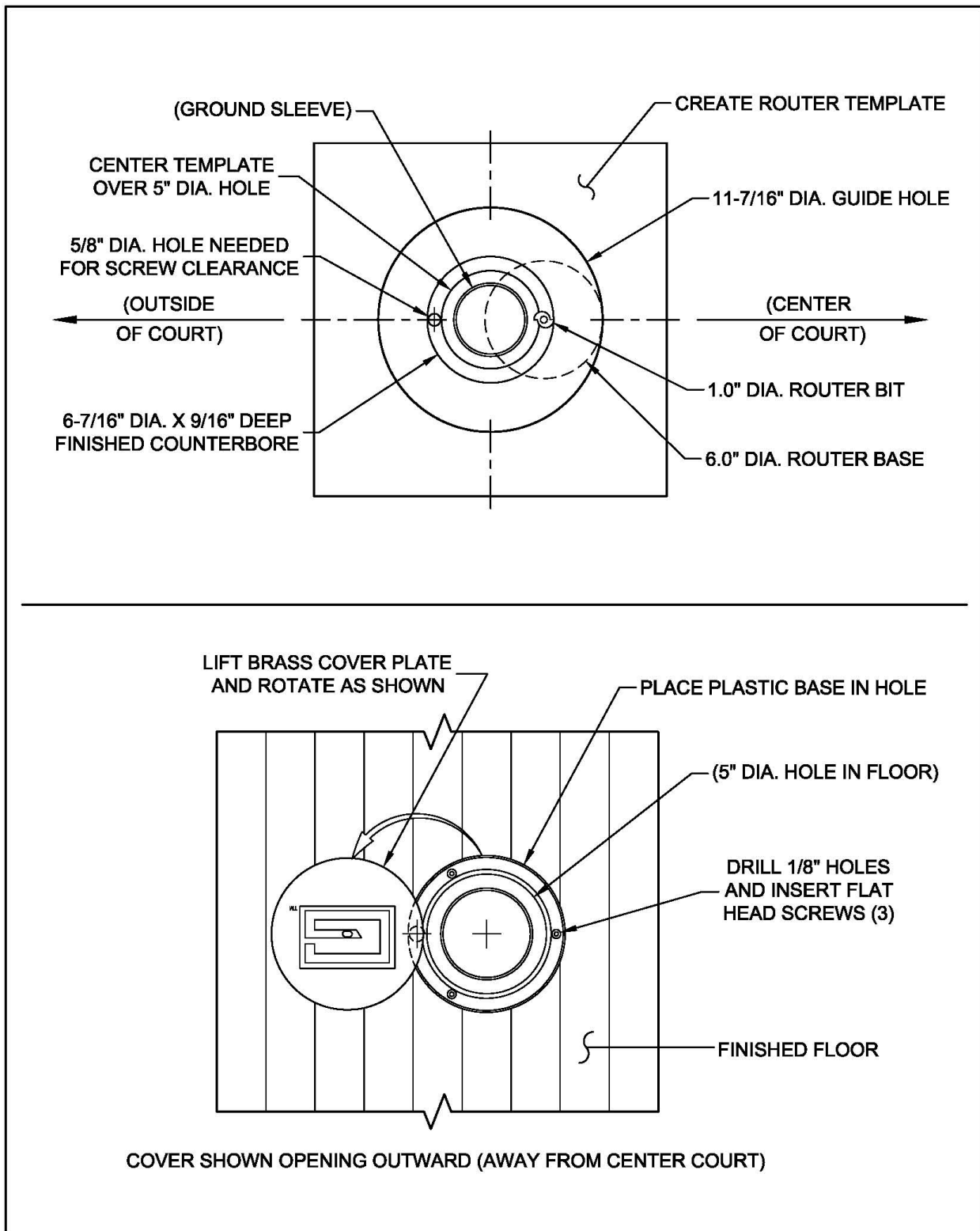
10. Install the floor covers. Usually the covers are oriented to open outward away from the playing area. However, this is a matter of preference. Drill holes and insert screws as shown on page 8.

Installation Instructions for Ground Sleeves





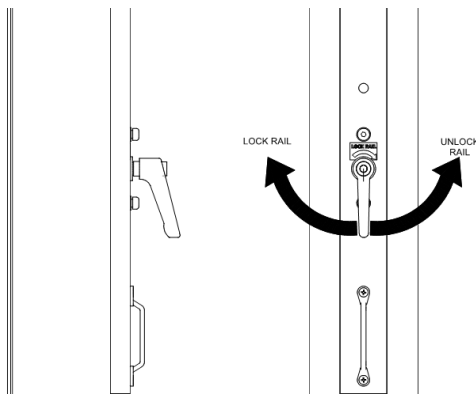
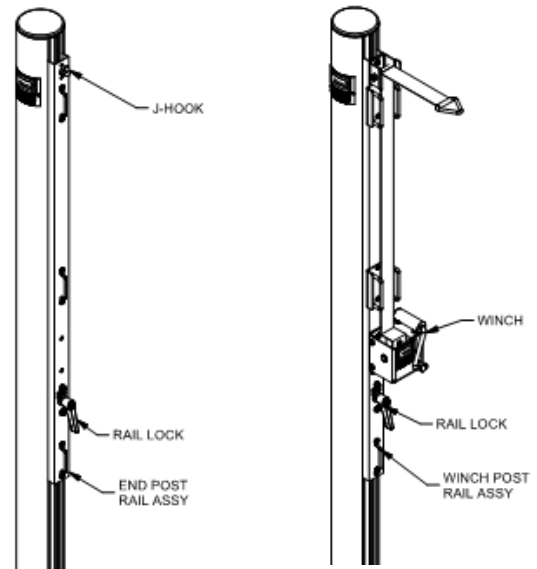
Counterbore Details and Floor Cover Installation



Post and Net Installation Instructions

1. Lift and rotate the floor covers out of the way. Insert the **Winch Post** and **End Post**.
2. Lay out the net in the approximate position between the two posts.
3. To adjust the net height, rotate the rail lock clockwise and slide the rail to a position where the net cable attachment points are approximately 3/4" [19 mm] higher than the desired net height at the center of the court. See regulation net heights below. Rotate the rail lock lever counterclockwise until very snug to lock the rail in position.

Net Height at Center Court		
MEN'S VB	95 5/8"	[2.429 m]
WOMEN'S VB	88 1/8"	[2.238 m]
YOUTH VB	84"	[2.134 m]
GIRL'S VB	78"	[1.981 m]
BADMINTON	60"	[1.524 m]
TENNIS	42"	[1.067 m]



4. Rotate the crank handle of the winch until the belt is near full extension.
5. Attach the net cable to the J-hook on the end post with. Attach the net cable to the winch belt with a snap link.

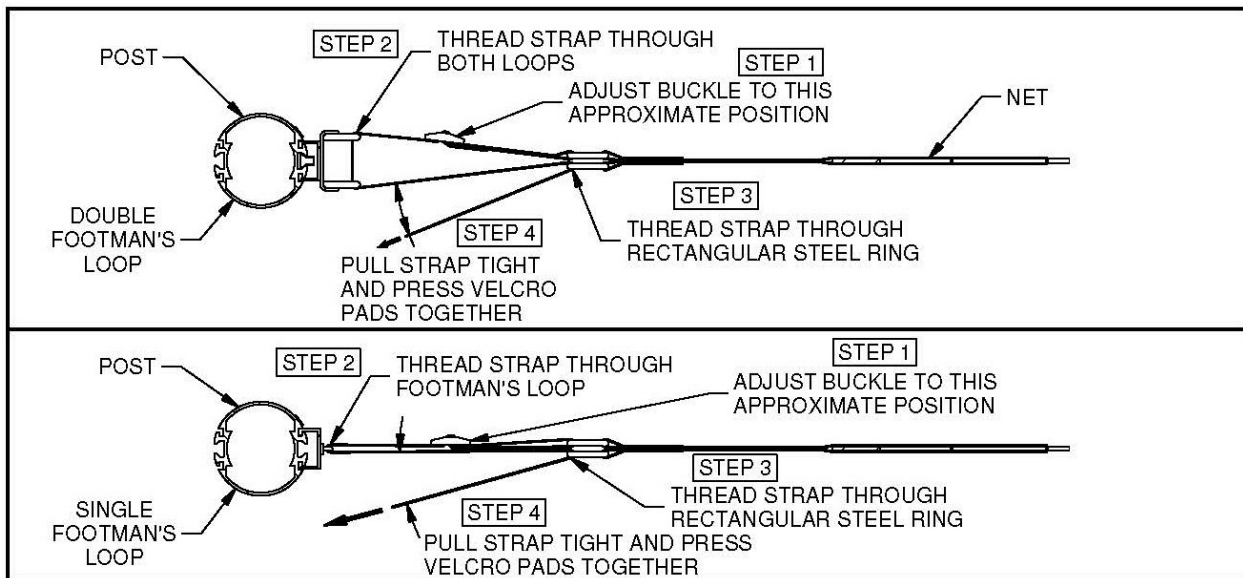
⚠ WARNING

DO NOT OVERTIGHTEN WINCH
Overtightening may result in damage to equipment and/or serious injury.

124651582

6. Next, turn the winch handle to tighten the net cable. Note that the height of the net is measured at the center of the court and will be approximately 3/4" higher at the court lines when properly tensioned. **Be sure the winch post is rotated so the belt is aligned with the net as the net begins to tension. Failure to do so will cause excessive belt wear.**
 - **DO NOT OVER TENSION THE NET.**
7. If net height adjustments are necessary, release the tension on the net and cable. Rotate the rail lock lever and slide the rail up or down to the required adjustment. Lock the rail lock lever and re-tension the net cable and net straps.
 - a. The height of the net will vary only slightly with the tightness of the cable. If the height of the net needs significant adjustment, loosen the net cable before adjusting and changed as noted in step #3.

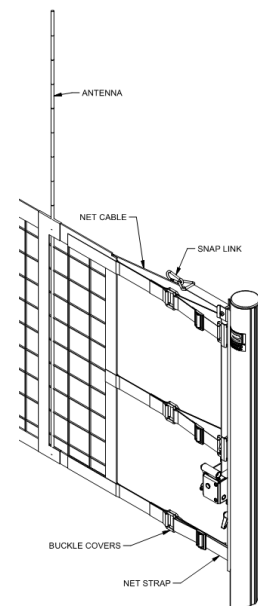
- b. The net cable tension does not make the net play livelier as the net can slide from side to side on the net cable. This is accomplished by adjusting the net straps as described in step #7.
8. Once the net height is adjusted, center the net so that there is equal space between the ends of the net and the posts. Undo the Velcro net straps as they come shipped with the net. Wrap the straps around the post footman loops as shown in the illustration at the bottom of this page. Pull the straps tight and press the Velcro surfaces together. These straps are responsible for maintaining the net tension and may need to be retightened periodically. Expect some initial stretch in the net.
9. Minor height adjustments can be made by screwing the foot pads on the bottom of the posts in or out. (Posts must be removed from the floor sleeves to make adjustments)



TOP VIEW OF NET STRAP PLACEMENT

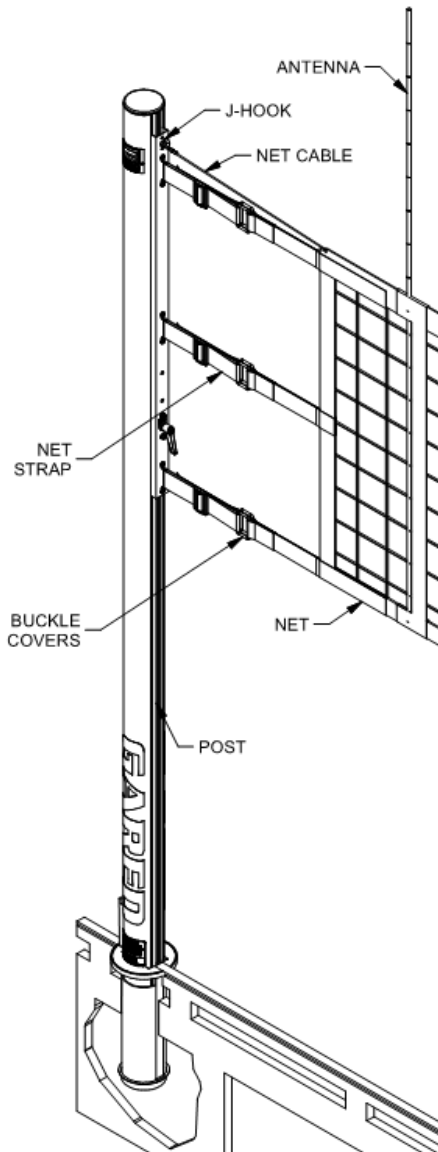
Note: Winch post has double footman's loops on the top and center net straps. Bottom net strap is a single footman's loop.

10. Install the net side markers, 7607-22-00, which will attach the net antenna to the net over each side court line.
11. Insert the net antenna. Antenna should be adjusted to mark the outer edge of the 30 ft [9.144 m] court width.
12. Install the buckle covers over each net strap buckle.
13. Install post pads by wrapping pad around the post with the straps towards the court side of post. Secure with the hook and loop straps sewn to the post padding.

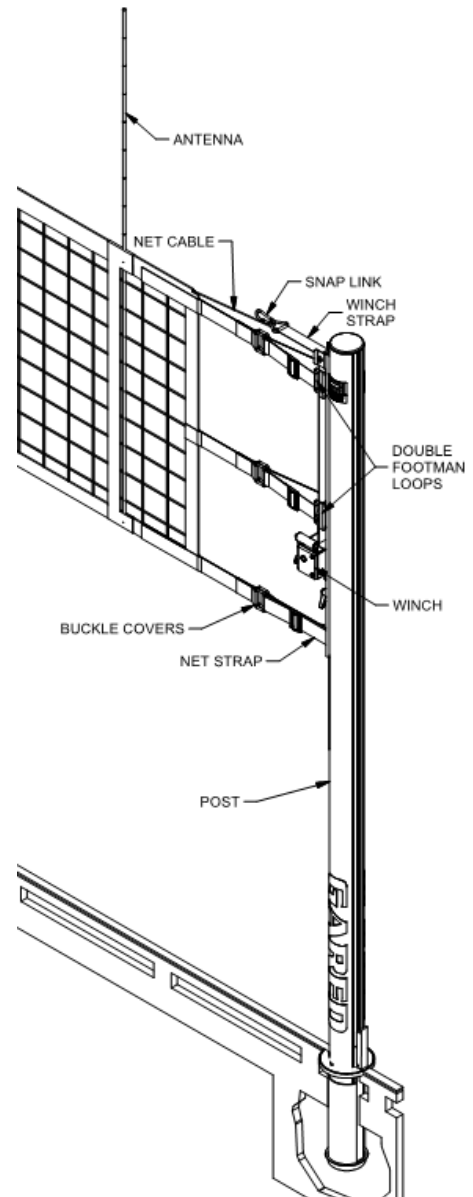


14. To take volleyball system down;
 - a. Remove antenna.
 - b. Unhook net straps from posts at both ends.
 - c. Crank winch until net cable can be unhooked from snap links.
 - d. Fold net up and transport net and posts to storage.

7210 End Post with Net



7216 Winch Post with Net



ATTENTION CONSUMER

Any athletic activity involves a certain risk of physical injury. This equipment has been designed for safety; however, care and supervision are required during the setting up and taking down of this equipment, as well as during play. The entire system should be periodically inspected for components needing replacement or tightening.

Maintenance

1. General inspection of equipment when used should be performed to ensure no catastrophic failures have occurred during the course of use between yearly inspections.
2. It is recommended that yearly inspections be conducted to determine if any bolts or any other hardware has become worn or loosened. A sample check sheet has been provided for you in this guide.
3. During yearly inspections, all moving parts should be inspected while in operation. Key points to look for include rotation points where bushings contact metal, winches, pulleys and quick links. The strap should be looked at for any degradation or fraying.
4. Any loose bolts or nuts should be tightened.
5. Check Sliding components and strap for wear.

Maintenance Check Sheet

Date: _____

Unit: _____.

Anchors/Floor Sleeves

-Anchors/bolts OK Repair Replace

-Floor sleeves/covers OK Repair Replace

Unit Supports / Brackets / Hinges

-Tubes; dents, stress spots, etc. OK Repair Replace

-Bolts; loose, deformed, etc. OK Repair Replace

-Brackets/Hinges; bent, not rotating, etc. OK Repair Replace

Winch/Strap

-Winch; binding, loose, etc. OK Repair Replace

-Hardware; Quick links OK Repair Replace

Sliding Components

-Locking Mechanisms OK Repair Replace

Safety Padding

-Velcro Function OK Repair Replace

-Vinyl Condition OK Repair Replace

Replacement parts and / or service to the equipment can be obtained from your local dealer or installer. To find your local dealer, visit us online or contact customer service department at the web address or phone number listed on the last page of this manual.



Gared Holdings, LLC

Performance Sports Systems
9200 E. 146th Street
Noblesville, IN 46060

800-848-8034
www.perfsports.com

Gared Sports
9200 E. 146th Street
Noblesville, IN 46060

800-325-2682
www.garedsports.com