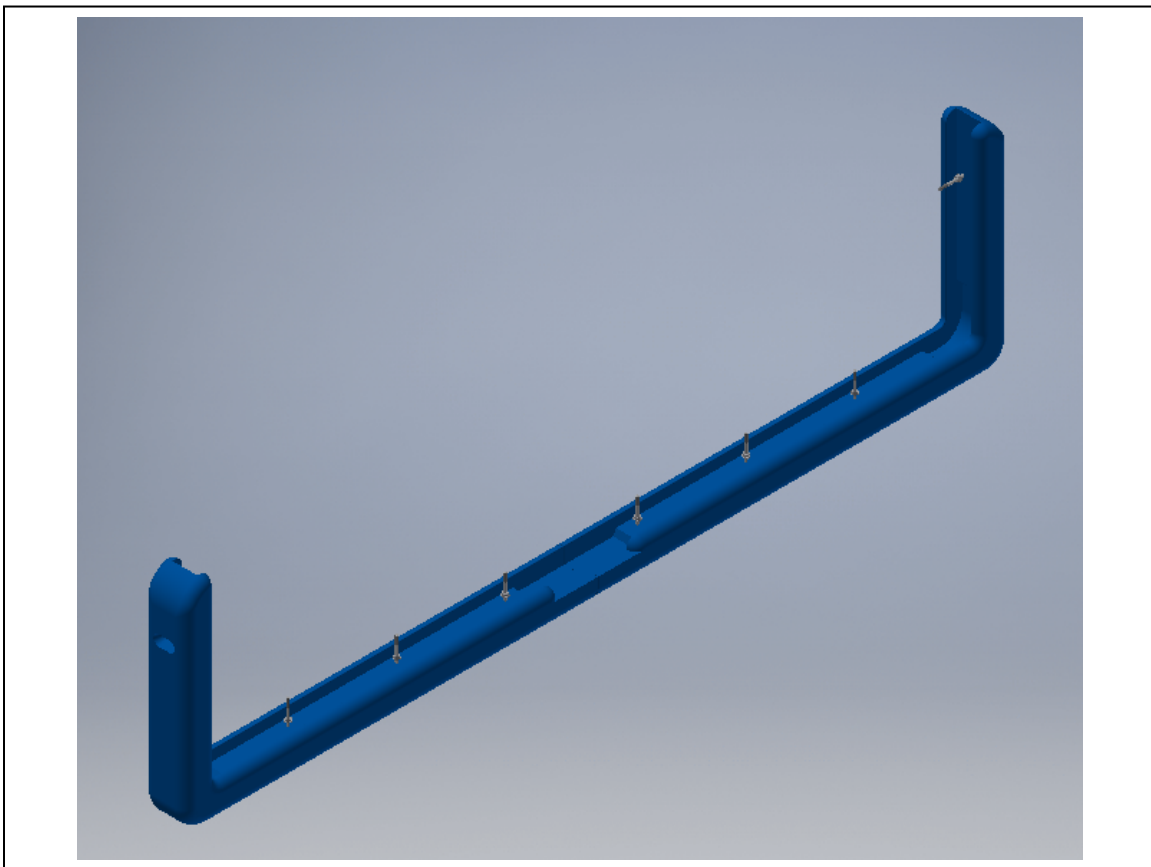




Pro Mold Bolt On Cushion Edge
Models: PMCE



Installation Instructions

.....
Please read all instructions before attempting installation
.....

SAVE THESE INSTRUCTIONS FOR FUTURE USE

PUBLICATION No.
2 5 1 7 5 2 8 5 8

Table of Contents

<u>Section</u>	<u>Page No.</u>
Introduction	2
Parts Checklist	3
Assembly and Setup	4



Pro Mold bolt on Cushion Edge



Introduction

Thank you for your purchase of a Gared Sports model PMCE backstop pad set. To ensure that our equipment will provide years of use to you, we are including this installation guide. This guide will provide information on the proper assembly and installation method for your pad set.

Please note that a Bill of Materials is being included with this guide. Please check that all the parts called out on the Bill of Materials are present prior to beginning assembly and setup. Please do not substitute for factory parts. Please contact the Gared Sports customer service department and allow them to determine if substitute parts are acceptable.

It is recommended that an individual who has been properly trained perform assembly and set up of the PMCE. No one under the age of 18 should attempt assembly or installation of this pad set, unless properly supervised.

If items are found to be nonconforming, replacements can be ordered from Gared Sports or one of our authorized dealers. When contacting Gared Sports, please have information regarding the dealer/installer who sold the product, the name of the project if applicable, and any applicable warranty information.



Pro Mold bolt on Cushion Edge



Before proceeding with assembly, **read all instructions and assembly procedures**. Make sure all parts have been received and are not damaged.

Parts Checklist

Verify all parts listed on packing list are present prior to installation.

Item	Part Number	Description	Qty
1	PMCE pad set	Foam padding, One right, one left	2
2	3-inch bolt	¼-20 x 3" bolt	16
3	1-inch bolt	¼-20 x 1" bolt	16
4	Whiz nut	¼-20 whiz nut	16
5	Connecting rod	6mm Connection Rod	4

Contact Gared Customer Service at 800-325-2682 for assistance with replacement of any parts missing or damaged.

Pro Mold bolt on Cushion Edge

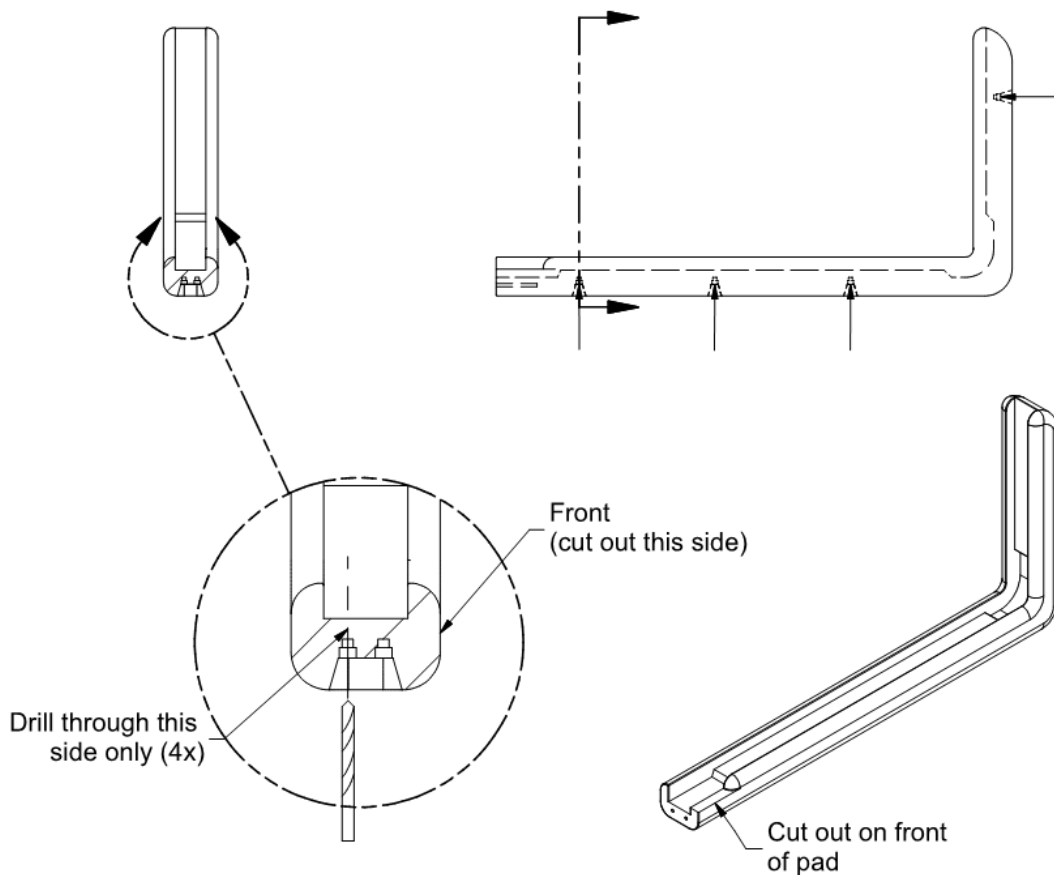
INSTALLATION INSTRUCTIONS

Tools Required:
5/16" drill bit
Portable Drill
Tape Measure
Center Punch
Hammer
Utility Knife
Masking Tape
Marker

Mounting instructions:

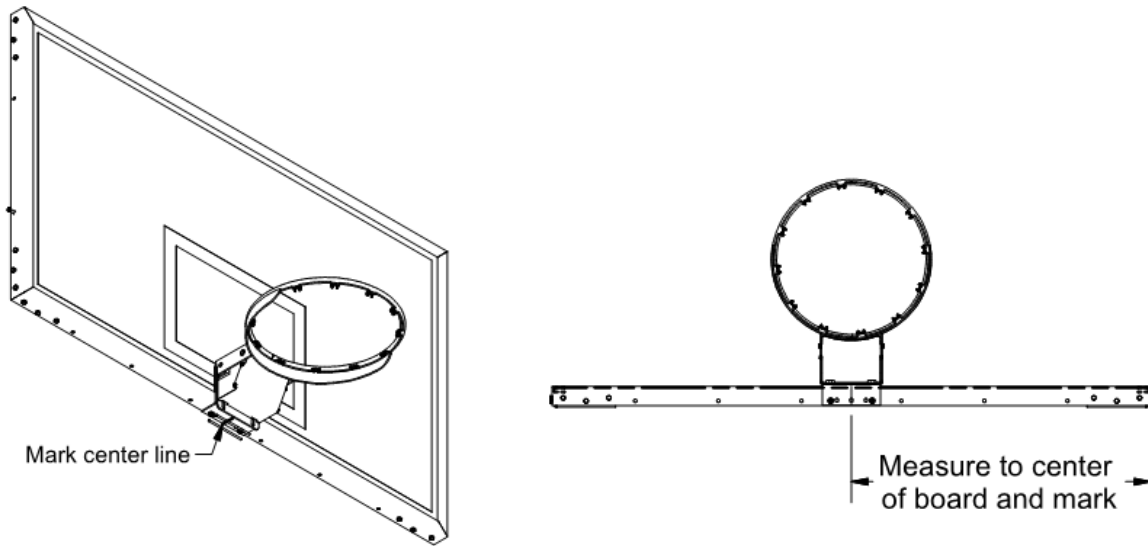
NOTE: If using a board with existing mounting holes, skip to step 9

1. Use 5/16" drill bit to drill through four rear mounting holes only. This will allow for marking in future steps.

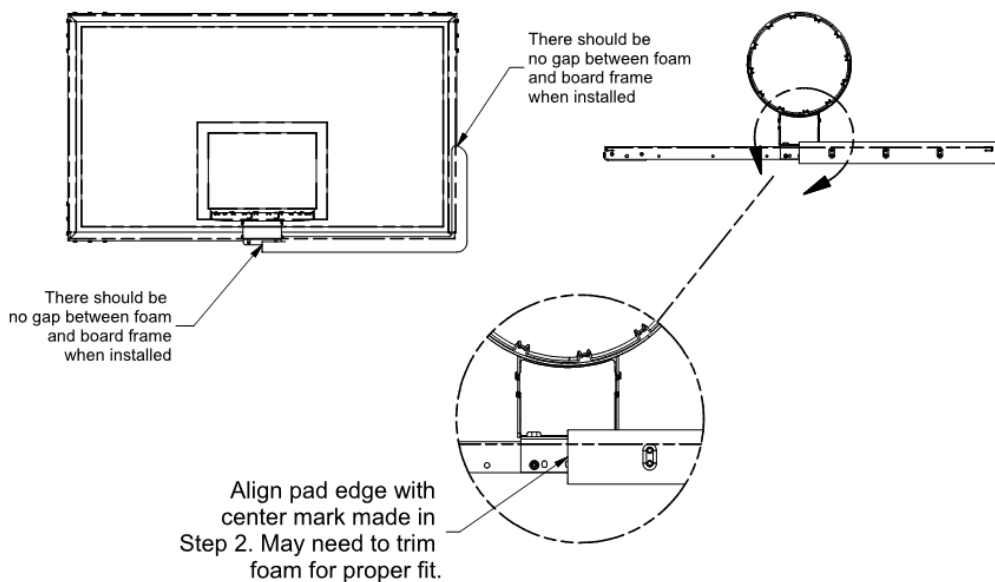


Pro Mold bolt on Cushion Edge

2. Using a tape measure, mark a line on the center of the board

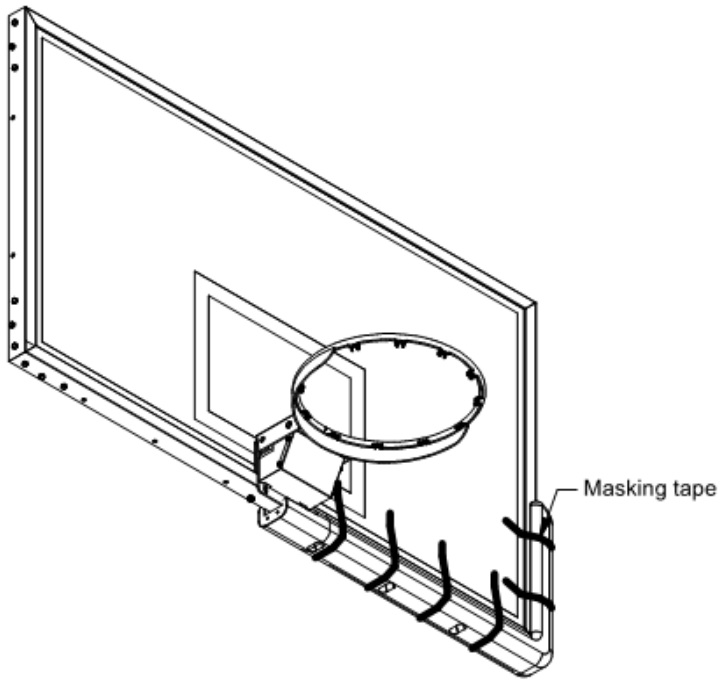


3. Place one pad on the backboard, making sure to fully seat foam against board frame on the bottom and side. Trim foam (if needed) to ensure the center line is aligned with edge of foam.

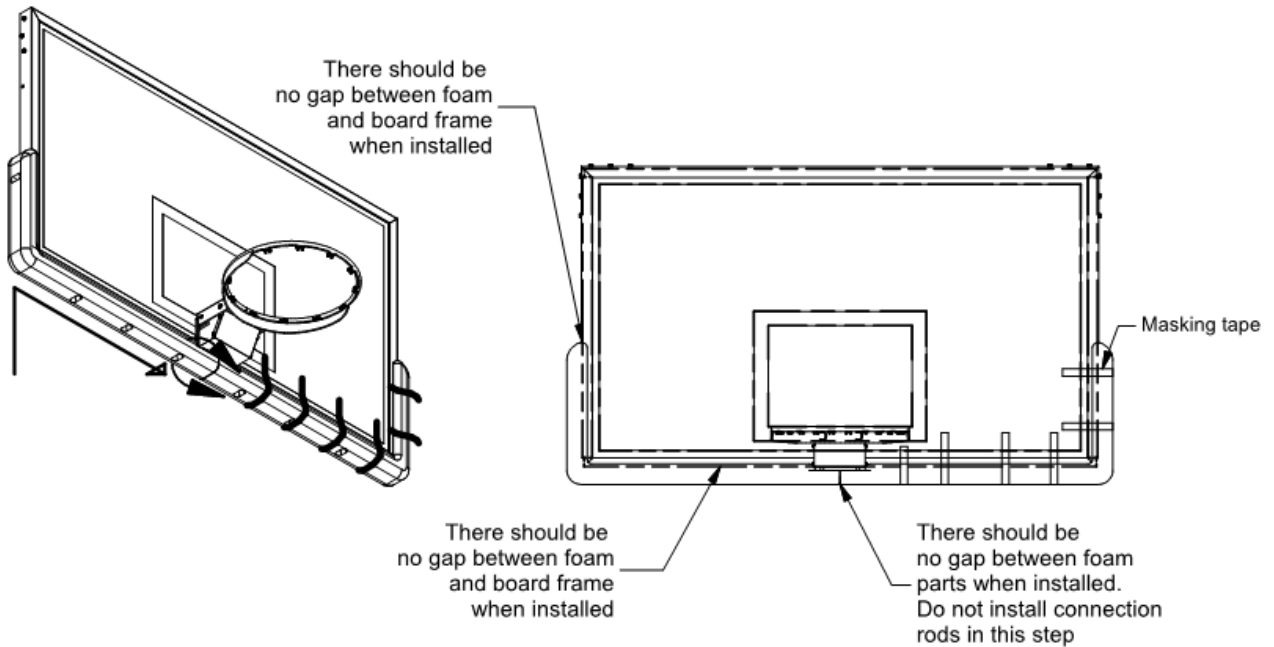


Pro Mold bolt on Cushion Edge

4. Use masking tape to hold the pad in position while fitting second pad.

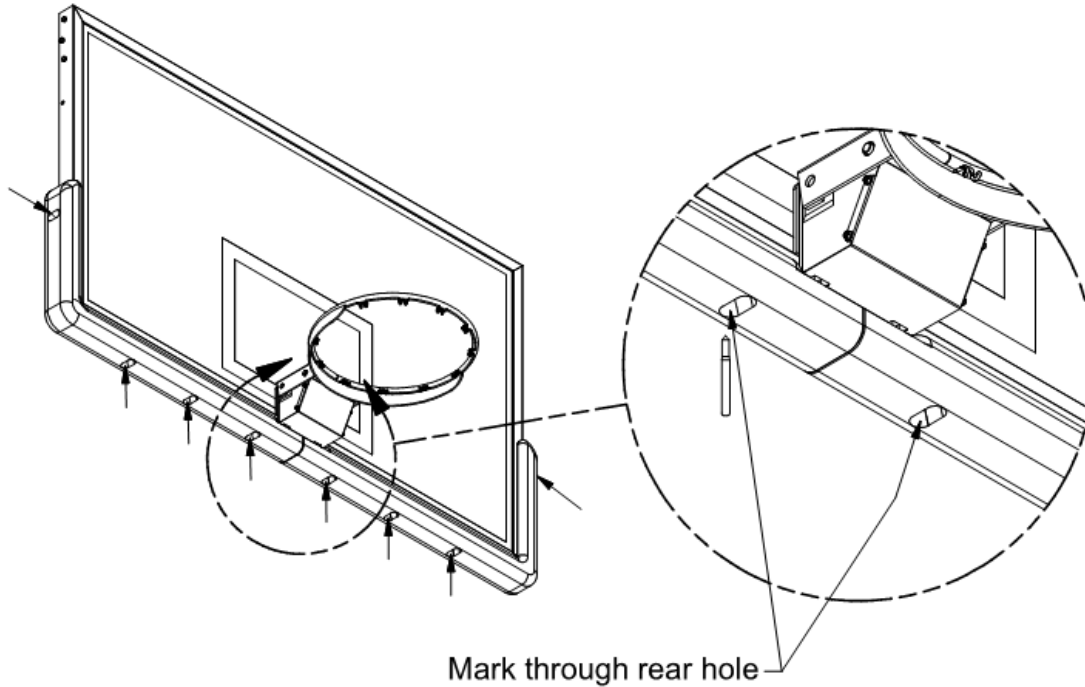


6. Repeat step 3 with second pad. **NOTE: It may be necessary to trim the pad for proper fit.**

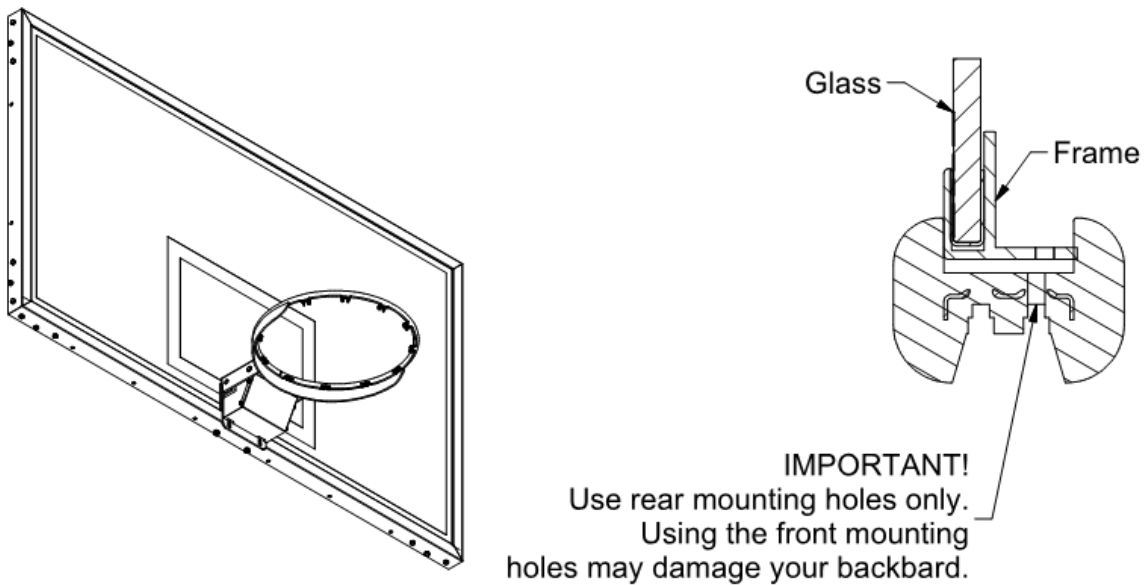


Pro Mold bolt on Cushion Edge

7. Mark the center of the holes on frame

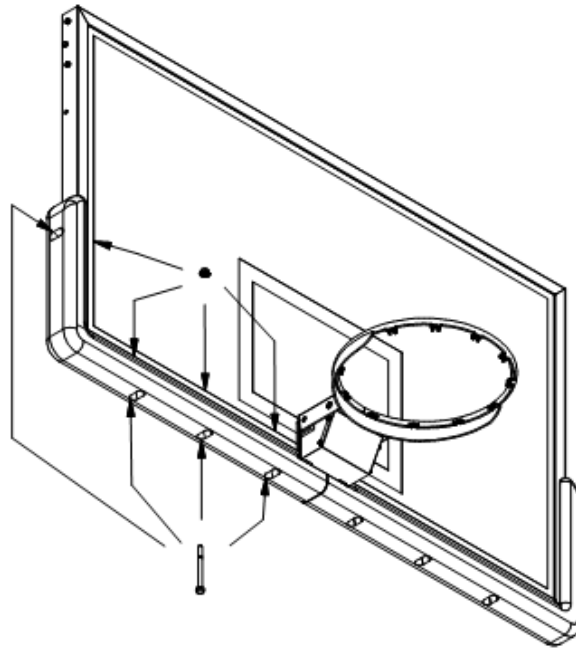
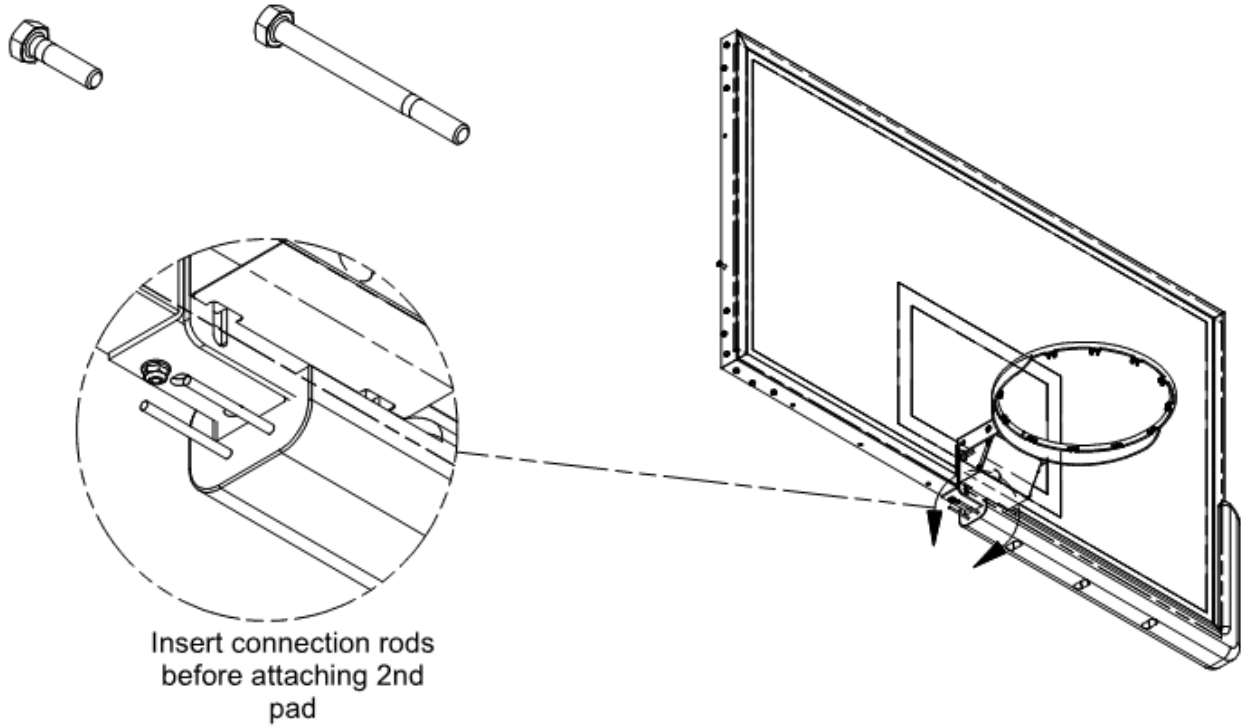


8. Remove the tape and pads. Center-punch the center of hole marks, then drill each hole with a 5/16" drill. Ensure that you do not drill through glass!



Pro Mold bolt on Cushion Edge

9. Select the 1" or 3" bolts (depending on your backboard thickness) and bolt the first pad in place. Insert the connection rods, then slide the second pad onto the rods and bolt into place.





Pro Mold bolt on Cushion Edge



Gared Holdings, LLC

Performance Sports Systems
9200 E. 146th Street
Noblesville, IN 46060

800-848-8034
www.perfsports.com

Gared Sports
707 North 2nd Street
St. Louis, MO 63102

800-325-2682
www.garedsports.com