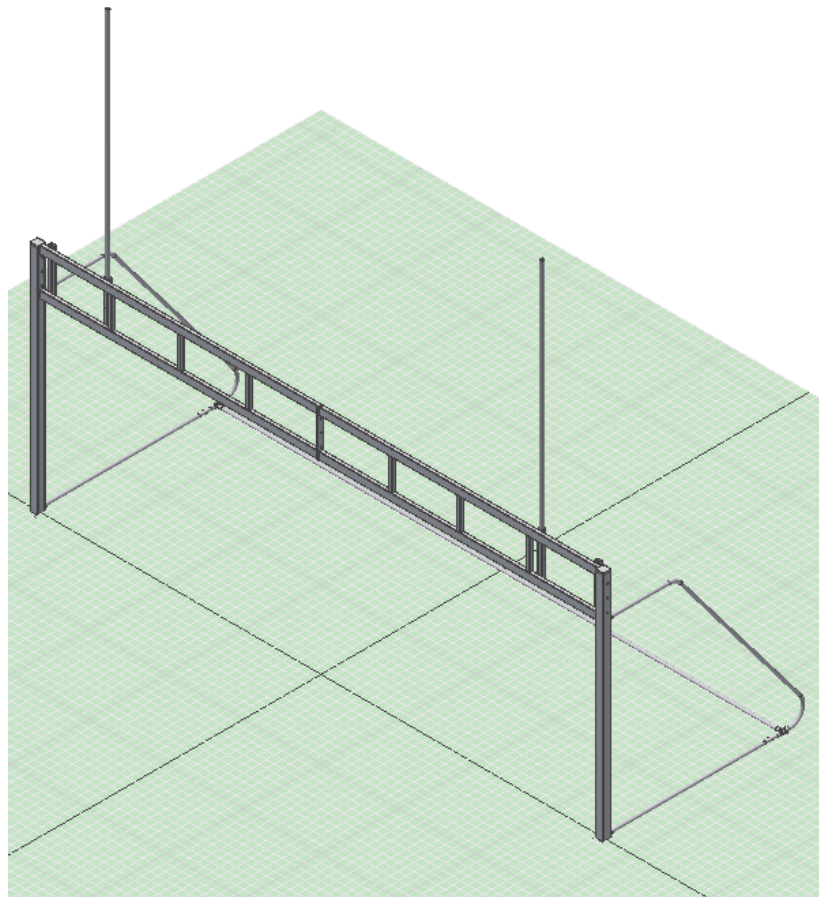




FOOTBALL/SOCCER COMBO GOAL

Models: FGP 200



Installation, Operation and Maintenance Instructions

.....
Please read all instructions before attempting installation or operation of these units
.....

SAVE THESE INSTRUCTIONS FOR FUTURE USE



Table of Contents

<u>Section</u>	<u>Page No.</u>	
Introduction		1
Specifications		2
Cautions and Warnings		3
Parts Checklist		4
Assembly and Setup		5
Maintenance		10

Introduction

Thank you for your purchase of model FGP 200 Combo Football/Soccer Goal. To ensure that our equipment will provide years of use to you, we are including this installation, operation, and maintenance guide. This guide will provide information on the proper assembly and installation methods, operating procedures, and preventative maintenance of your portable backstop.

Please note that a Bill of Materials is being included with this guide. Please check that all of the parts called out on the Bill of Materials are present prior to beginning assembly and setup. Please do not substitute for factory parts. Please contact the manufacturer and allow them to determine if substitute parts are acceptable.

It is recommended that an individual who has been properly trained perform assembly and set up of the backstop. No one under the age of 18 should attempt assembly or set up of the unit, unless properly supervised.

To prevent normal wear and tear from shortening the life of the unit, preventative maintenance inspections and repairs should be performed at least once per year. If the units are subject to high or unusual usage, inspections should be scheduled to occur more frequently. If items are found to be nonconforming, replacements can be ordered from one of our authorized dealers. When contacting your dealer, please have information regarding the dealer/installer who sold the unit, the name of the project, and any applicable warranty information.

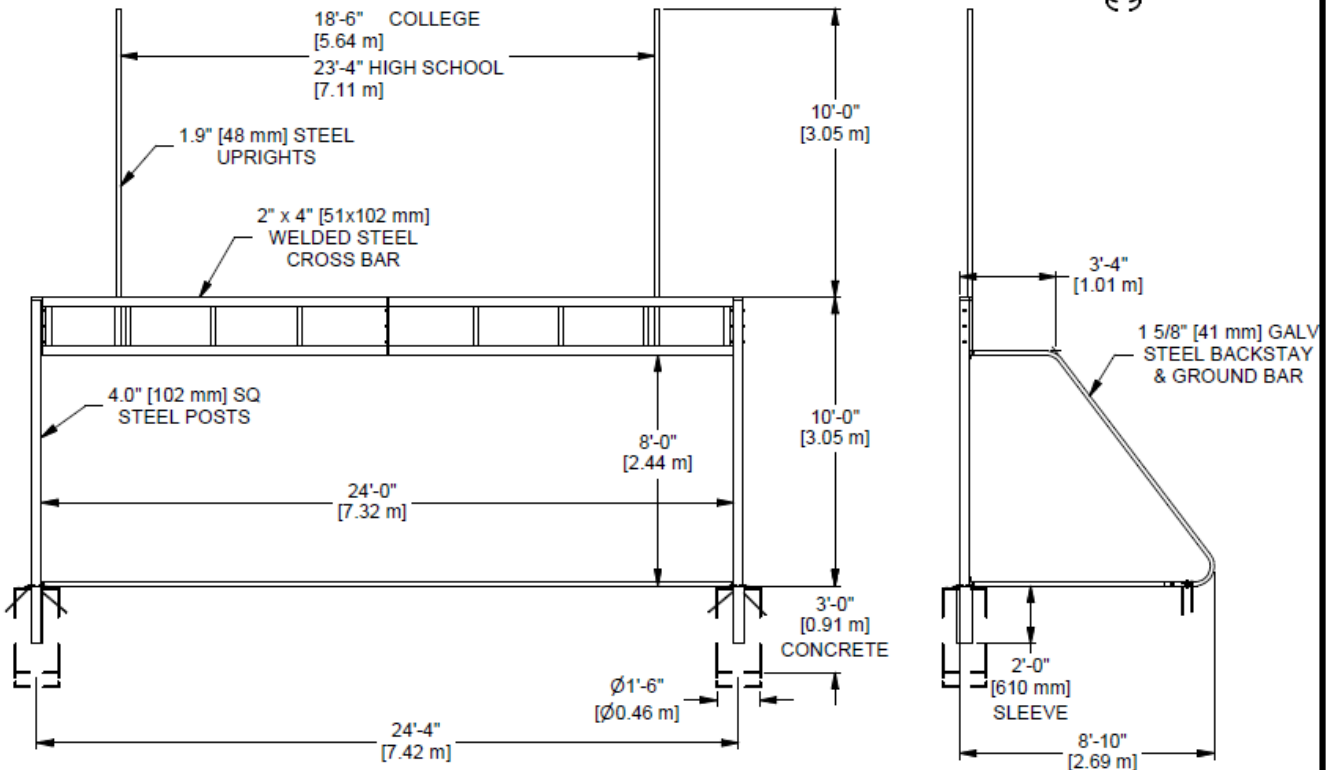
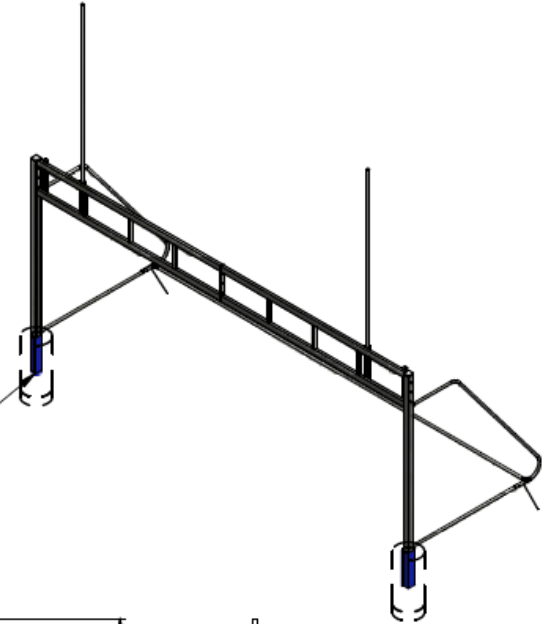
Specifications

NOTES:

1. MODEL FGP200 INCLUDES A PAIR OF GOALS.
2. STEEL POSTS, UPRIGHTS AND CROSS MEMBER FRAME ARE POWDER COATED WHITE.
3. CAN BE PERMANENTLY OR SEMI-PERMANENTLY INSTALLED USING THE INCLUDED SLEEVES AND CAPS. FOUNDATION BY OTHERS.
4. J" STAKE ANCHORS SUPPLIED AS STANDARD. FOR SEMI-PERMANENT INSTALLATION. UNDERGROUND ANCHORS AVAILABLE AS AN OPTION AND AT ADDITIONAL COST.
5. ZINC PLATED CONNECTION HARDWARE.
6. MODEL SN824-4W NET, 8x24' x 4mm WHITE IS SOLD SEPARATELY IN PAIRS.

NEVER CLIMB OR HANG ON THE NET OR GOAL FRAMEWORK.

GROUND SLEEVES WITH CAP INCLUDED FOR SEMI-PERMANENT INSTALLATION





Read and understand the following warnings to prevent possible personal injury and potential damage to the equipment during assembly, setup, and operation.

WARNING

Portable or Movable Soccer Goals can fall over causing serious injury or death. Anchors must be properly installed and used on all portable or moveable soccer goals at ALL times.

WARNING

Do not allow persons to hang on Football Goal Post. Serious injury may occur from a fall. All football goal posts must be installed properly to avoid injury from tip over. Read and understand all assembly instructions.

Before proceeding with assembly, **read all instructions and assembly procedures**. Make sure all parts have been received and are not damaged.



FGP 200



Parts Checklist

Verify all parts listed on packing list are present prior to installation.

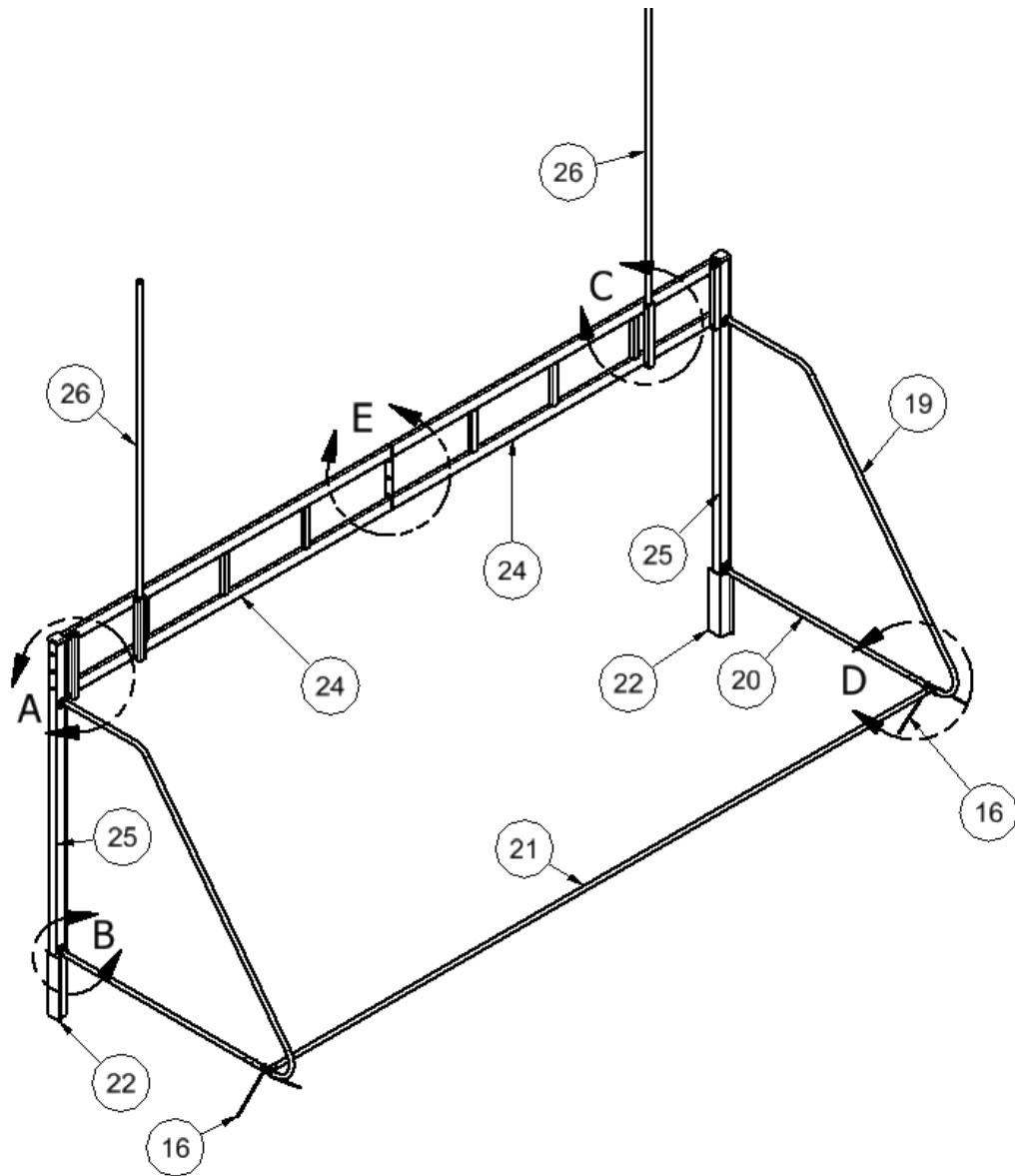
The following parts have been packed separately

If parts are needed please refer to the part number at time of replacement order is made.

ITEM	QTY	PART NUMBER	DESCRIPTION
1	4	101653829	VINYL END CAP, 4" SQUARE WHITE
2	4	501-5-18-40	BOLT, CARRIAGE 5/16-18 UNC X 2.5
3	16	502-6-16-12Z	HEX BOLT, 3/8-16 UNC X 0.75
4	8	502-6-16-40	HEX BOLT, 3/8-16 UNC X 2.5
5	6	502-8-13-16	HEX BOLT, 1/2-13 UNC X 1
6	4	502-8-13-48	HEX BOLT, 1/2-13 UNC X 3
7	12	502-8-13-80	HEX BOLT, 1/2-13 UNC X 5
8	4	509-5-18-38SS	HEX SOCKET BUTTON HEAD 5/16-18 X 2.375
9	4	545-5-18SS	NUT, NYLON LOCK 5/16"-18 SS
10	4	545-5-18Z	HEX NUT, NYLON LOCK 5/16-18
11	8	545-6-16Z	HEX NUT, NYLON LOCK 3/8-16
12	22	548-8-13	HEX NUT, SERRATED FLANGE 1/2-13
13	4	561-5	FLAT WASHER 5/16
14	8	561-5SS	FLAT WASHER 5/16 SS
15	16	562-6	SPLIT LOCK WASHER 3/8
16	8	651652570	J-STAKE ANCHOR
17	4	651653590	CLAMP (2-HALVES), 1.66 X 1.66 TEE
18	8	651653682	BRACKET, BACKSTAY ATTACHMENT
19	4	656202400	BACKSTAY, BENT 8' H (1.66 OD)
20	4	656202401	BACKSTAY, STRT 8'H (1.66 ODX87"L)
21	2	656202402	B'STAY BAR 24'W GOAL 1.66ODX289.8"L
22	4	656253880	GROUND SLEEVE ASSEMBLY, 4" SQUARE
23	4	656253894	CAP WLDMNT, 4" GROUND SLEEVE
24	4	656253903	HORIZONTAL MAST, COMBO GOAL
25	4	656253909	MAIN POST COMBO GOAL 4" SQ
26	4	656253912	UPRIGHT TUBE, COMBO GOAL POST
29	1 pr*	SN824-4W	NET, SOCCER-4MM WHITE 8X24 GOAL
30	4	656202389	VELCRO STRAP, 1 X 16.5" (PKG OF 12)
31	2	656202418	VELCRO STRAP, 1 X 24" (PKG OF 12)
32	1	651753916	MANUAL, FGP200 SOCCER/FTBALL INSTALL

*Net sold separately. 1 pair required.

Contact dealer or manufacturer for assistance with replacement of any parts missing or damaged.



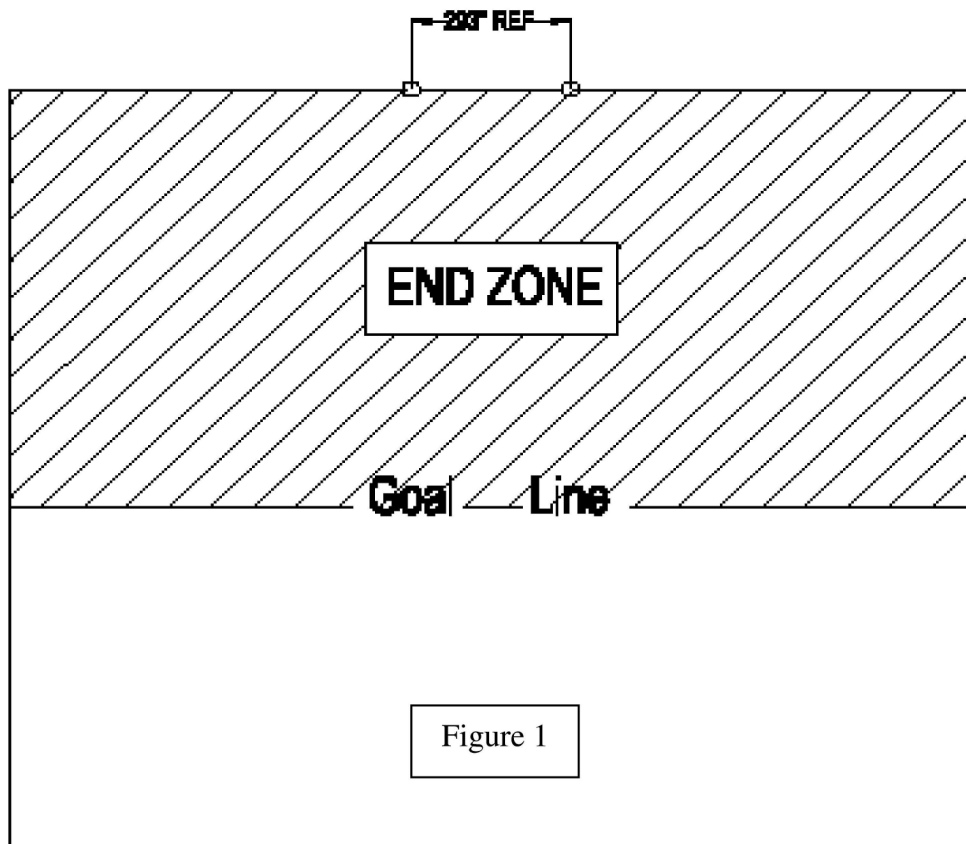
INSTALLATION INSTRUCTIONS

Tools Required:

- Wrench sizes needed
- 1/2
- 9/16
- 3/4
- Hammer
- Concrete tools

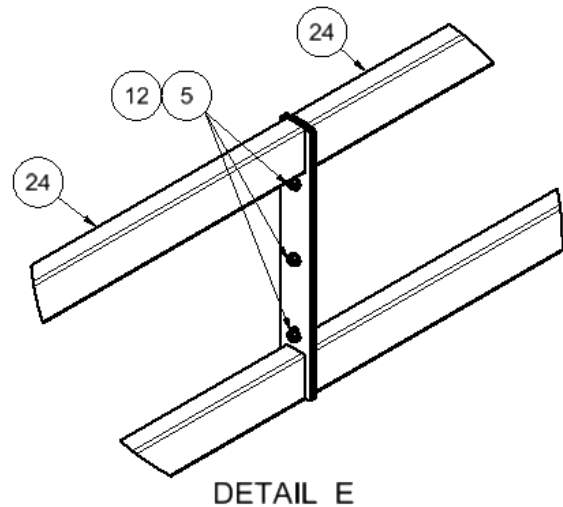
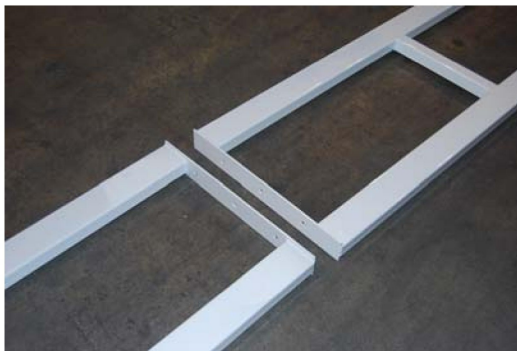
Preparation for installation

1. Layout the location for the holes on the field. For the FSG 200 permanent series goals (4" square posts), the center of the hole must be centered on a line at the back of the end zone.
2. Dig the hole as shown in Figure 1, for the typical installation, Figure 1 shows a dimension for reference of installation. (See not 3)
3. Approximately, 2 foot has been added to the post length for placement of goal post in concrete. A 6" base of gravel is recommended and a drain tube used for post drainage. It is highly recommended that the goal is fully assembled before setting in concrete. The rule restrictions applied for the goal in either sport, set the exact height and width, with strict numbers. Adjustments after installation will be difficult, if not impossible.
4. A secondary support system during construction will insure proper settings for goal placement. Please note the bottom edge of the horizontal mast is to be 96" from ground level; the top surface is to be 120". Check for plumb in all directions and placement of bolts should put the head towards play area whenever possible.

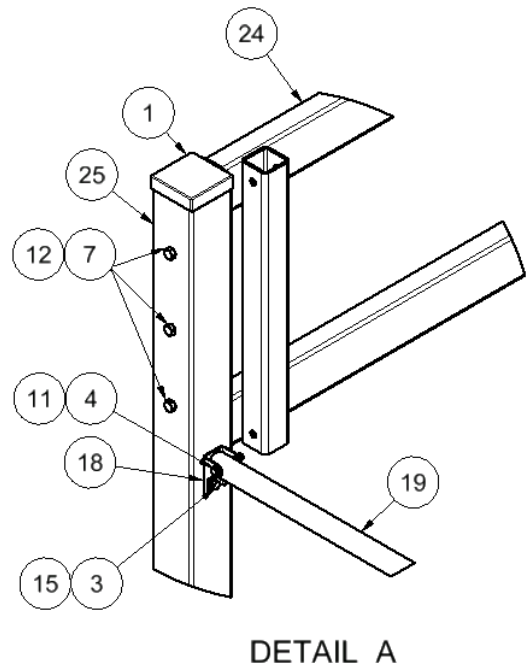


Goal Assembly

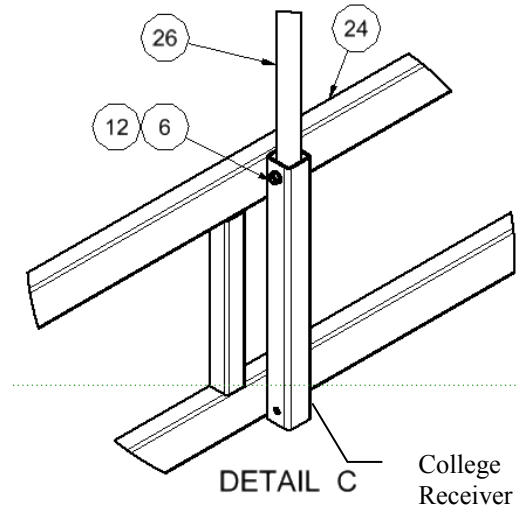
1. Layout the components for the goal on the ground in position to be connected together. Refer to the following pictures for general layout of parts.
2. Make sure the cross bar sections are position with the upright tube facing up.
3. Once the components are laid out, begin by bolting the two crossbar sections, item #24, together in the middle using 1/2" hardware.



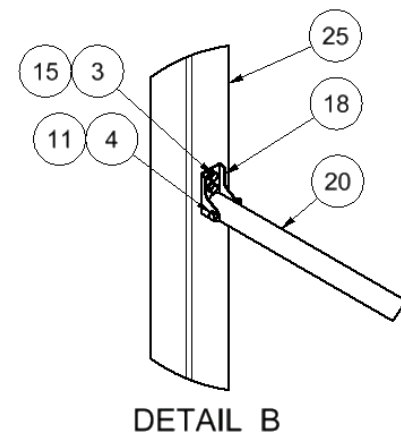
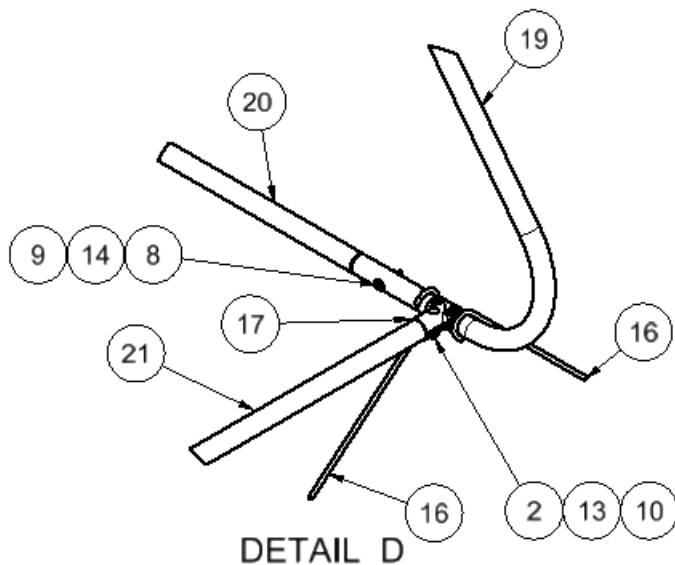
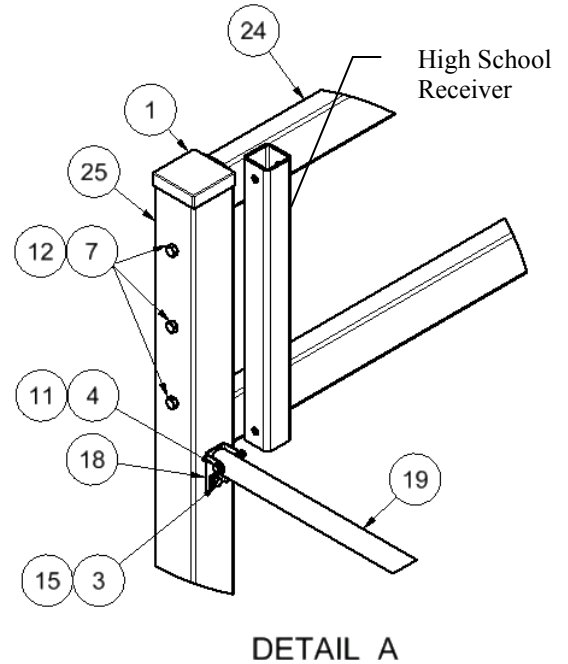
4. Next, slide the main post, item #25, up to each end and bolt the post to the crossbar end using three 1/2" bolts.



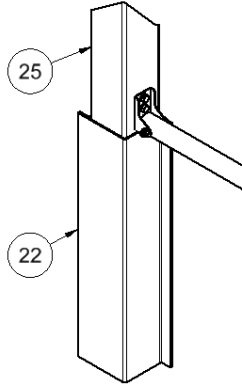
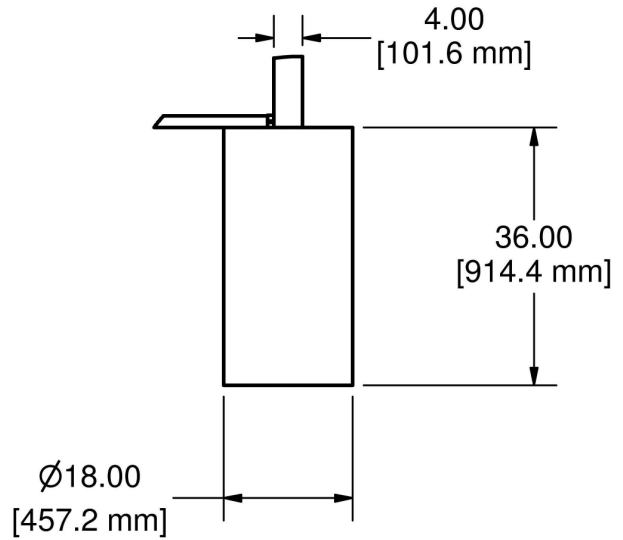
5. When the posts are bolted to the crossbars, slide the upright tube into the square receiver tube on the crossbar. The outermost receiver tubes are for high school location and the inner receiver tubes are for college location.
6. Bolt the upright into the receiver tube at the top of the crossbar location using one 1/2" bolt.



7. Bolt backstay bracket, item #18, to post as shown in detail A (top of post) and detail B (bottom of post). Note that the posts are tapped to receive 3/8" bolts.
8. Assemble two piece backstay by sliding swedged end of straight tube, item #20 into formed tube, item #19, and bolt with 5/16" hardware as shown in detail D.
9. Attach backstays to backstay brackets, items #18, using 3/8" hardware.



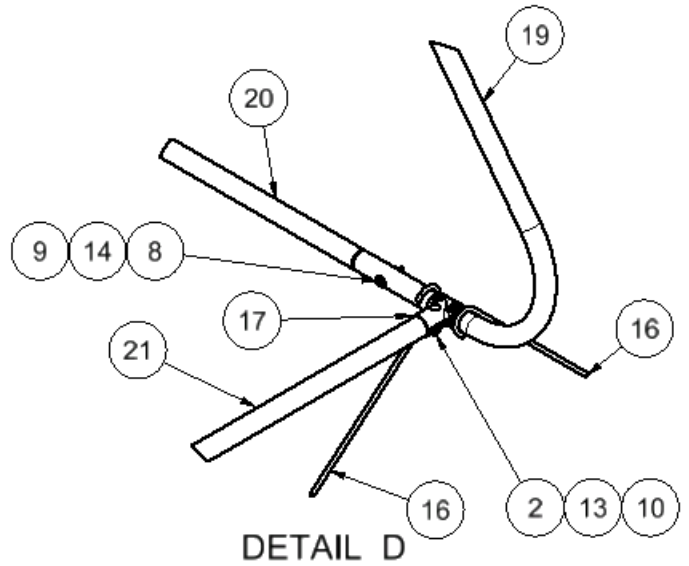
10. The goal is now ready to stand up and set into hole and pour the concrete foundation or insert into sleeves. Foundation should be 18" diameter and 36" minimum depth. Goal frame will need to be supported at the proper height and post position while concrete cures.



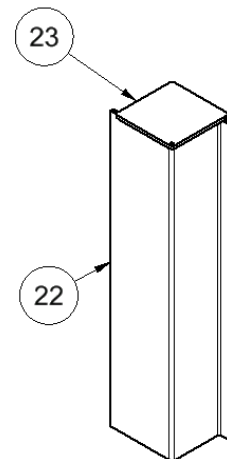
11. With unit standing in playing position, install the backstay ground bar, item #21, using tee bracket, item #17.

12. Install J-Stake Anchors, item #16.

13. Install soccer net.
- a. Use 16.5" ties on horizontal cross bar frame at approximately 12" increments.
 - b. Use 24" ties to attach to vertical posts at approximately 18" increments.



14. Install sleeve cap, item #23, when goal has been removed.





FGP 200



Maintenance

1. General inspection of equipment when used should be performed to ensure no catastrophic failures have occurred during the course of use between yearly inspections.
2. It is recommended that yearly inspections be conducted to determine if any bolts or other hardware has become worn or loosened.
3. During yearly inspections, check all joints to make sure they are tight and secure. Check the net for wear, holes, torn rope, etc.
4. Any loose bolts or nuts should be tightened.
5. Replace any components that are missing or worn.



Gared Holdings, LLC

**Performance Sports Systems
9200 E. 146th Street
Noblesville, IN 46060**

**800-848-8034
www.perfsports.com**

**Gared Sports
9200 E. 146th Street
Noblesville, IN 46060**

**800-325-2682
www.garedsports.com**