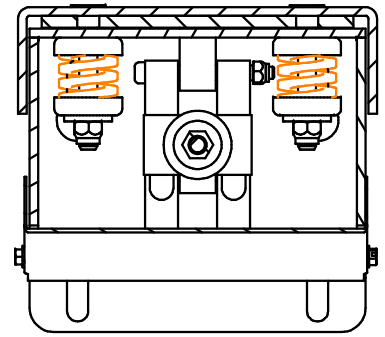


POSITIVE LOCK  
DETENT MECHANISM



DUAL RETURN SPRINGS

NOTES:

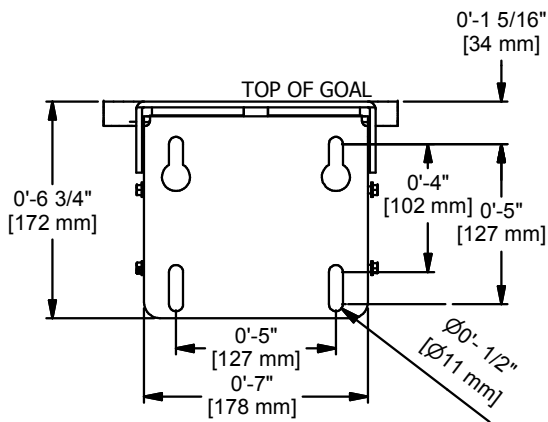
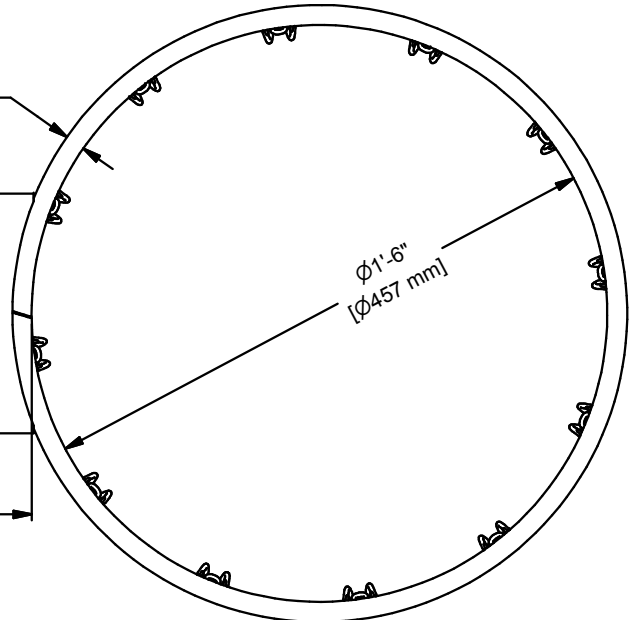
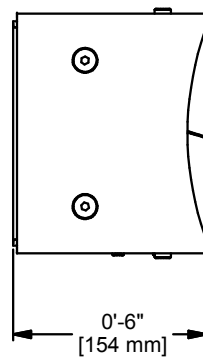
OFFICIAL ORANGE POWDER COAT FINISH.

GOAL IS SUPPLIED WITH ANTI-WHIP NYLON NET AND 3/8-16 MOUNTING HARDWARE.

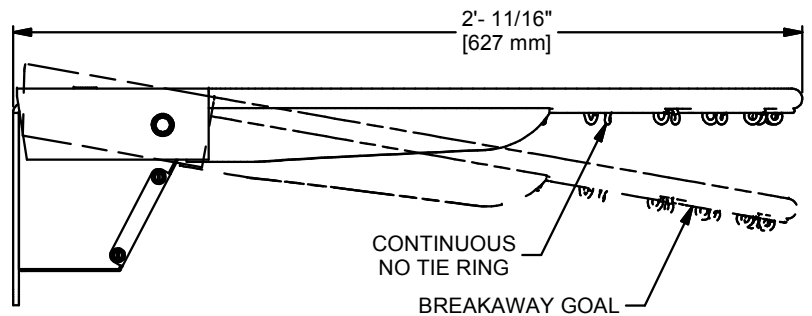
GOAL IS FACTORY SET TO BREAKAWAY AT A 160 lb [73 kg] FORCE AND AUTOMATICALLY RETURNS WHEN LOAD IS RELEASE.

25 lbs [11.4 kg] SHIPPING WEIGHT.

0'- 5/8"  
[16 mm]  
CR STEEL  
RING



MOUNTING PLATE



D	WDC	08-13-19
REV	BY	DATE



Gared Holdings, LLC  
9200 E. 146th St. Noblesville, IN 46060

THIS DOCUMENT CONTAINS TRADE SECRET AND OTHER MATERIALS WHICH ARE PROTECTED BY CONFIDENTIALITY NOTICE AND AGREEMENT AND BY COPYRIGHT. ANY USE OR COPYING OF THIS DOCUMENT EXCEPT AS AUTHORIZED BY GARED HOLDINGS, LLC IS STRICTLY PROHIBITED.

MASTER GOAL, BREAKAWAY POSITIVE LOCK

DRAWN	CROSBY	DATE	8/13/2019	DATE ISSUED
APPROVED		DATE		

FILE LOC. Q:\Inventor Files\Specification Files\08\_Goals

SIZE	SCALE	SHT. NO.	PART NO.	REV
A		1 OF 2	3000	D



## **MODEL 3000**

### **POSITIVE LOCK BREAK-AWAY GOAL**

Goal shall be constructed with an enclosed positive lock mechanism that is designed with heat-treated hardened springs to return goal to playing position. The positive lock mechanism shall be tested up to 31,000 cycles with no deformation at loads up to 1400 lbs. Goal shall have an official sized 18" ring of 5/8" diameter steel and shall be supported by a continuous welded wraparound brace. Goal shall meet NCAA and high school requirements.

Goal shall have a continuous no tie ring and orange powder coated finish. Anti-whip net and hardware shall be included. Universal goal mounting plate will fit hole patterns for most 42" and 48" rectangular backboards and most fan-shaped backboards.

#### **ACCESSORIES**

#### **BACKBOARDS**

See Goal-Board Matrix specification sheet for board compatibility.