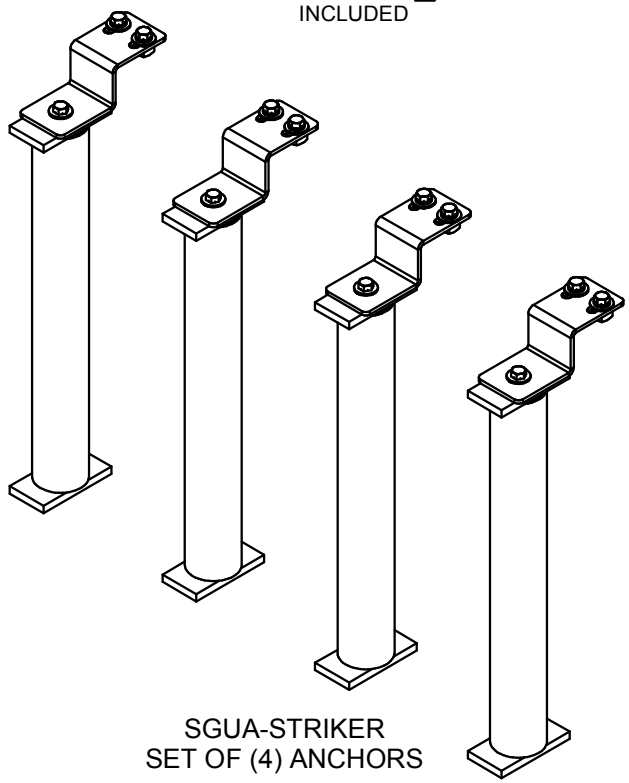
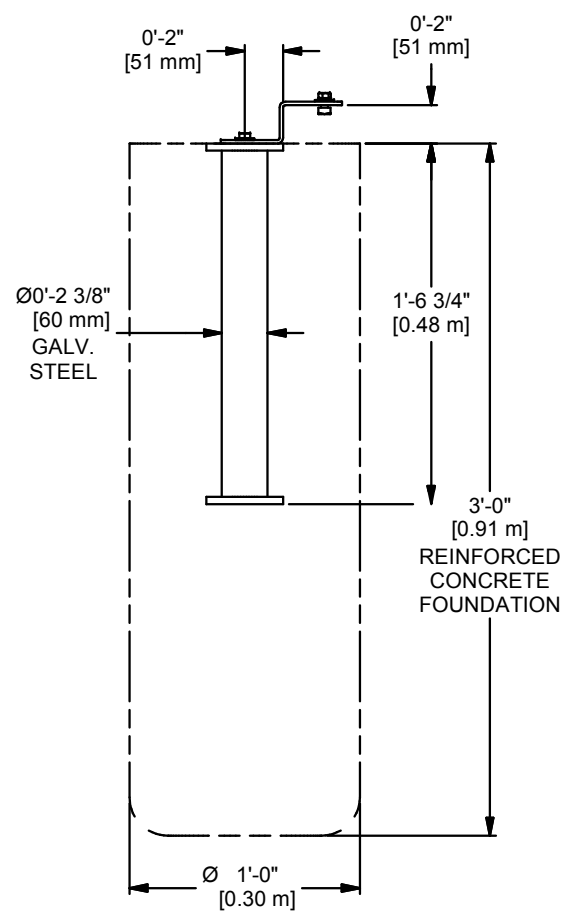


DETAIL A



SGUA-STRIKER  
SET OF (4) ANCHORS

- NOTES:
1. ANCHOR DESIGNED TO FIT THE STRIKER SERIES SOCCER GOALS WITH 2" X 4" GROUND BAR. USE A MINIMUM OF (2) ANCHORS PER GOAL.
  2. ANCHOR AND CLAMP CONSTRUCTED OF HEAVY GAGE, GALVANIZED STEEL.
  3. ANCHOR MUST BE INSTALLED IN A REINFORCED CONCRETE FOUNDATION. MINIMUM FOUNDATION SIZE SHOWN.
  4. CONCRETE FOUNDATION BY OTHERS.

REV	BY	DATE



**PSS**  
PERFORMANCE  
SPORTS SYSTEMS



**G**  
GARED

Gared Holdings, LLC  
9200 E. 146th St. Noblesville, IN 46060

THIS DOCUMENT CONTAINS TRADE SECRET AND OTHER MATERIALS WHICH ARE PROTECTED BY CONFIDENTIALITY NOTICE AND AGREEMENT AND BY COPYRIGHT. ANY USE OR COPYING OF THIS DOCUMENT EXCEPT AS AUTHORIZED BY GARED HOLDINGS, LLC IS STRICTLY PROHIBITED.

**UNDERGROUND ANCHOR, STRIKER (4)**

DRAWN	CROSBY	DATE	5/26/2020	DATE ISSUED
APPROVED		DATE		
FILE LOC. Q:\Inventor Files\Specification Files\06_Outdoor Products				
SIZE	SCALE	SHT. NO.	PART NO.	REV
<b>A</b>		1 OF 2	<b>SGUA-STRIKER</b>	



### **MODEL SGUA-STRIKER**

#### **SOCCER GOAL UNDERGROUND ANCHOR, STRIKER**

Soccer goal underground anchor shall be constructed of 2 3/8" O.D. heavy wall galvanized steel tubing at least 18" long. Steel plates welded on each end shall have a tapped hole in the center for anchor bolt. Anchor assembly shall include a strap clamp to fit the 2"x4" ground bar of the Striker Soccer Goal. When installed, the clamp shall be connected to the ground bar and bolted to the anchor pipe secured in concrete.

Anchor pipe shall be installed in a concrete footing 12" in diameter minimum and 36" deep minimum. Allow sufficient time for concrete to cure before installing goals.

**Concrete for installation not included.**

#### **\*CONSUMER PRODUCT SAFETY ALERT**

From the U.S. Consumer Product Safety Commission, Washington, D.C.

Portable/Movable Soccer Goals can fall over causing serious injury or death. Securely anchor or counter weight portable goals at ALL times. Check ALL connecting hardware before EVERY use. When goals are not in use: tip goal on face, chain to nearby fence or store in secure area.

Subject to design change and current manufacturing practices.  
©2008 Gared Holdings, LLC