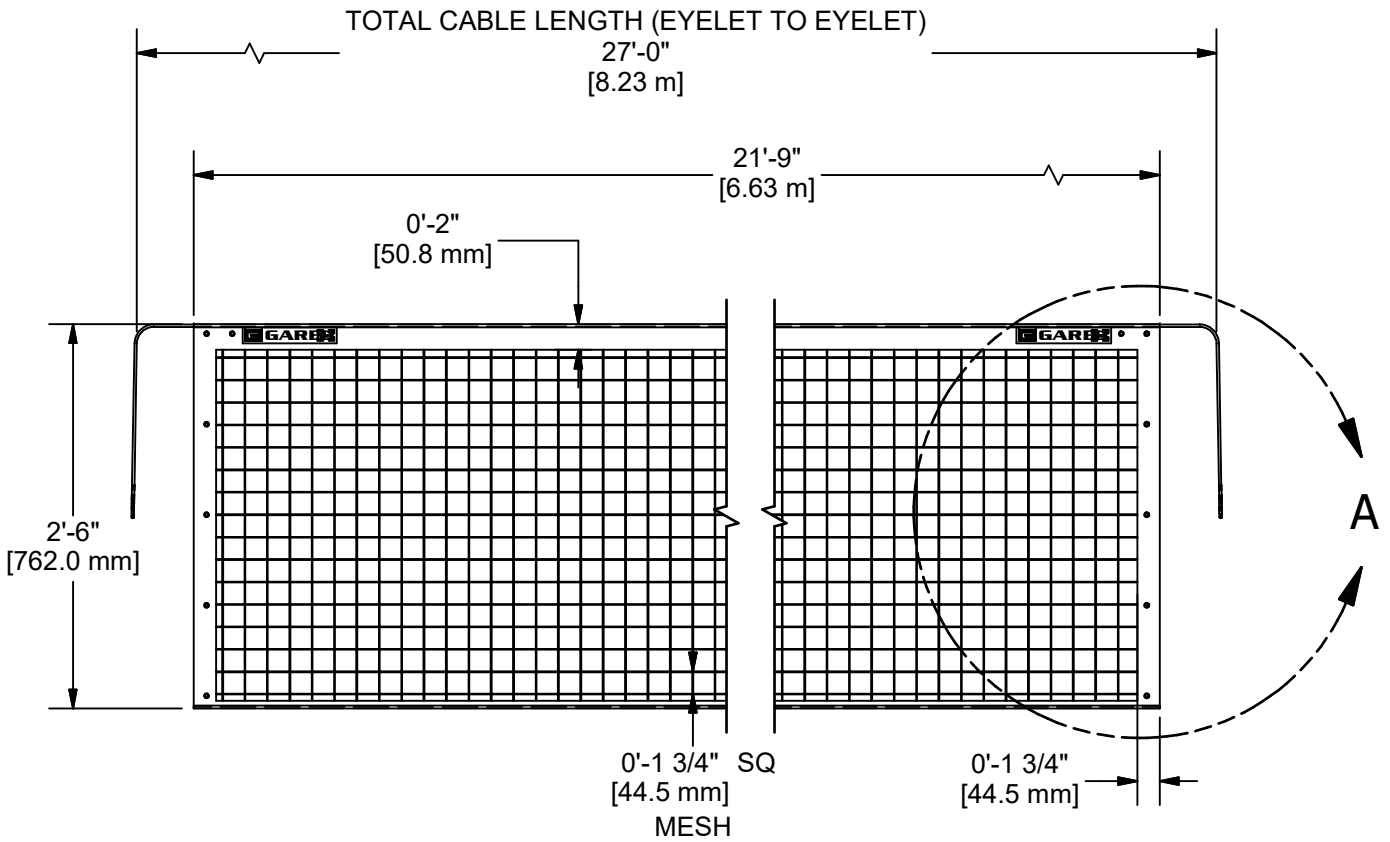
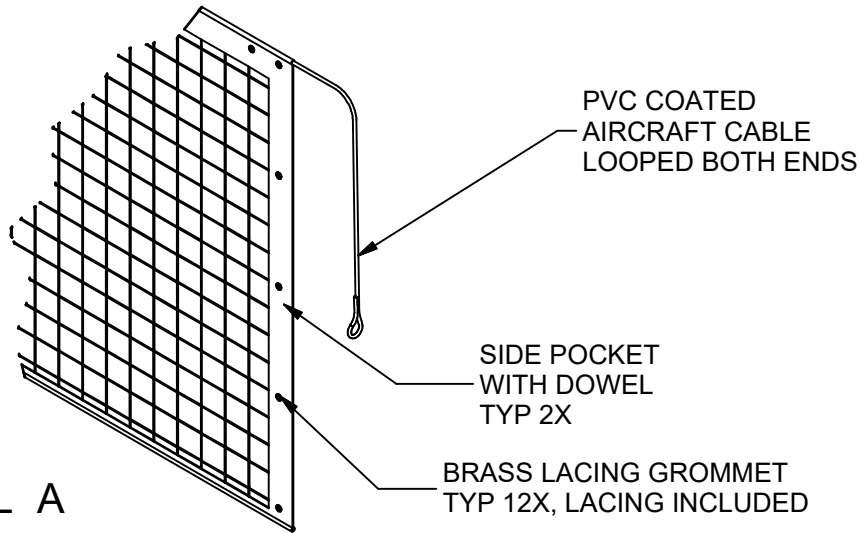


**DETAIL A**



A	MJP	4/16/19
REV	BY	DATE



Gared Holdings, LLC  
9200 E. 146th St. Noblesville, IN 46060

THIS DOCUMENT CONTAINS TRADE SECRET AND OTHER MATERIALS WHICH ARE PROTECTED BY CONFIDENTIALITY NOTICE AND AGREEMENT AND BY COPYRIGHT. ANY USE OR COPYING OF THIS DOCUMENT EXCEPT AS AUTHORIZED BY GARED HOLDINGS, LLC IS STRICTLY PROHIBITED.

**21'- 09" PICKLEBALL NET**

DRAWN	PHELPS	DATE	1/17/2019	DATE ISSUED
APPROVED		DATE		

FILE LOC. Q:\Inventor Files\Specification Files\

SIZE	SCALE	SHT. NO.	PART NO.	REV
A		1 OF 2	PCLBNET	A



## **MODEL PKLBNET**

### **PICKLEBALL NET, 21'9" LONG, 32" TALL**

#### **Recommended Application**

Designed for competition or recreational pickleball play in park, school, tournament, or residential settings.

#### **SPECIFICATIONS**

##### **PKLBNET, 21'- 09" PICKLEBALL NET**

The PKLBNET pickleball net shall contain a headband consisting of 2" [50.8 mm] wide double-reinforced white vinyl-coated polyester with four rows of white polyester accu-stitching. The net body shall be constructed of high-density braided polyethylene twine forming a 1.75" [44.5 mm] mesh. The net shall feature extra heavy-duty black vinyl-coated polyester side and bottom tapes with two rows of stitching, black polyester thread. The net shall feature a headline with PVC-coated aircraft cable and side pockets with dowels. The overall length of the net, excluding cable, should be 21'-9" [6.68 m] and 30" [.81 m] tall when fully deployed for play.