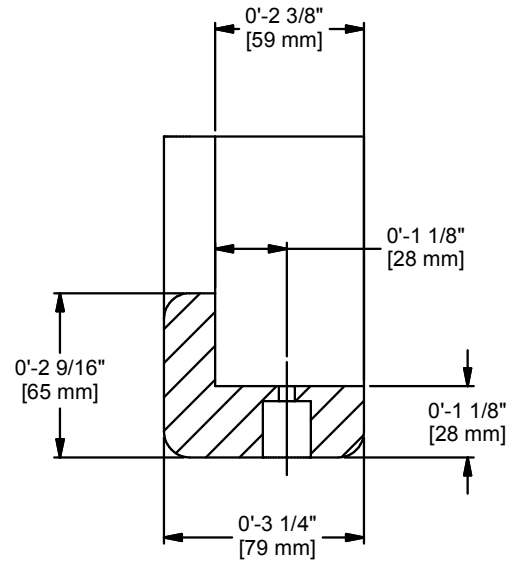
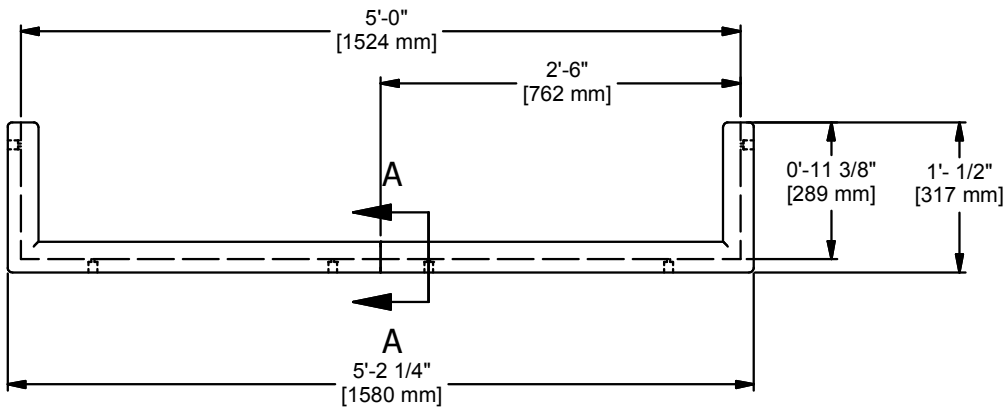
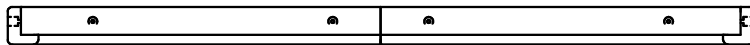


BOARD NOT INCLUDED

MODEL LSCE60
CUSHION EDGE PAD



SECTION A-A



NOTES:

- DESIGNED FOR USE ON 60" STEEL OR ALUMINUM FRAMED BOARDS. NOT RECOMMENDED FOR WOOD OR FIBERGLASS BOARDS OR ANY FAN SHAPED BOARDS.
- CONSTRUCTED OF BLACK MOLDED URETHANE FOAM
- MOUNTING HARDWARE INCLUDED.

A	WDC	05-13-20
REV	BY	DATE



Gared Holdings, LLC
9200 E. 146th St. Noblesville, IN 46060

THIS DOCUMENT CONTAINS TRADE SECRET AND OTHER MATERIALS WHICH ARE PROTECTED BY CONFIDENTIALITY NOTICE AND AGREEMENT AND BY COPYRIGHT. ANY USE OR COPYING OF THIS DOCUMENT EXCEPT AS AUTHORIZED BY GARED HOLDINGS, LLC IS STRICTLY PROHIBITED.

MOLDED CUSHION EDGE 60" BACKBOARD

DRAWN	CROSBY	DATE	5/13/2020	DATE ISSUED
APPROVED		DATE		

FILE LOC. Q:\Inventor Files\Specification Files\06_Outdoor Products				
SIZE	SCALE	SHT. NO.	PART NO.	REV
A		1 OF 2	LSCE60	A



MODEL LSCE60
MOLDED CUSHION EDGE

APPLICATION

The backboard padding is 1 1/8" thick, urethane foam that protects the players while the skin molding process protects the padding. Each half is 30" long and allows for 12" to run up the side of the rectangular backboard. Each half is "L" shaped and molded in right hand and left hand sections. Half sections bolt to all 60" acrylic and glass backboards that have a width of 2". Recommended for use on all outdoor acrylic and glass 60" backboards.

Mounting hardware is included.

Available in Black only.

Subject to design change and current manufacturing practices.
©2008 Gared Holdings, LLC