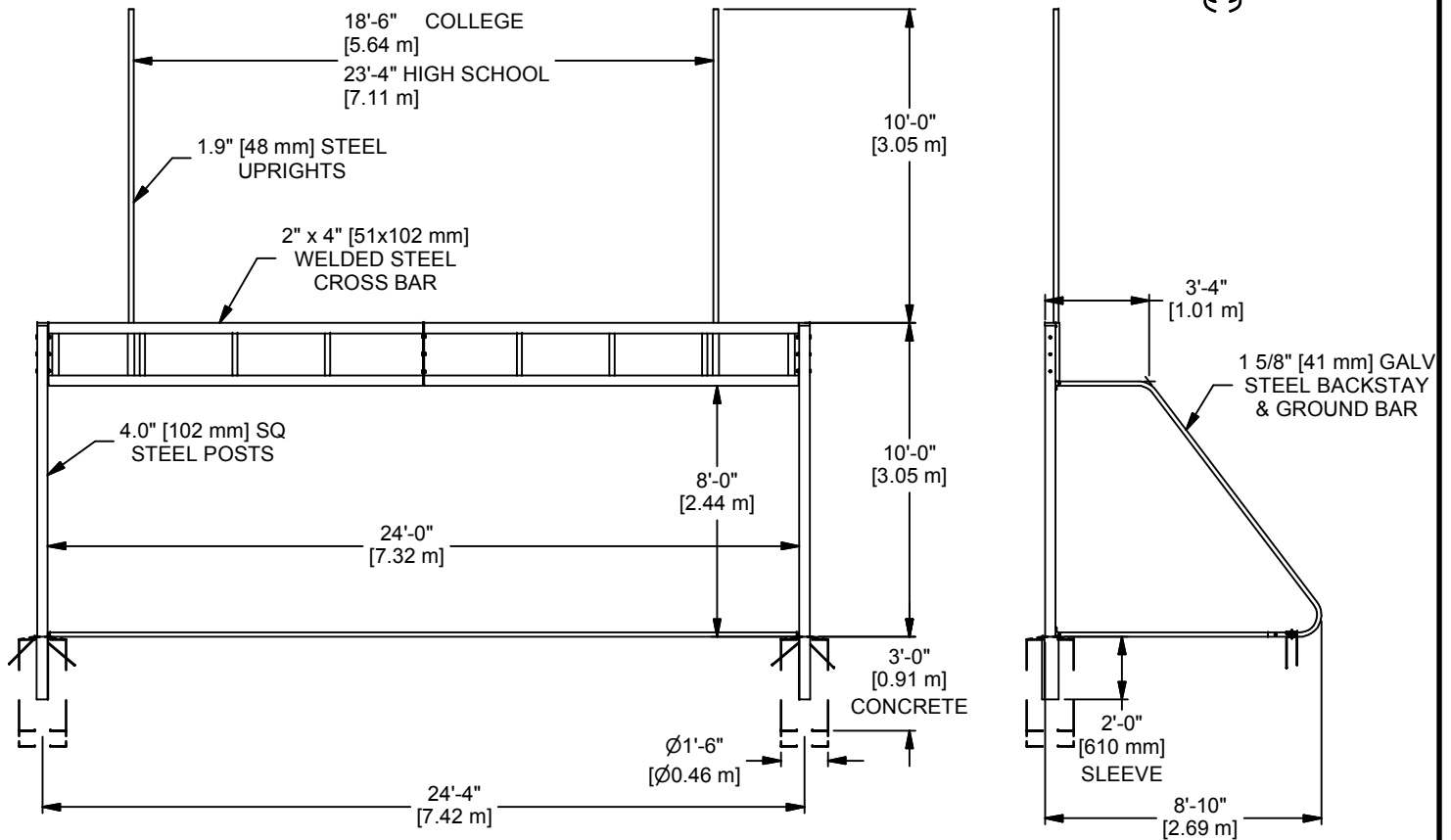
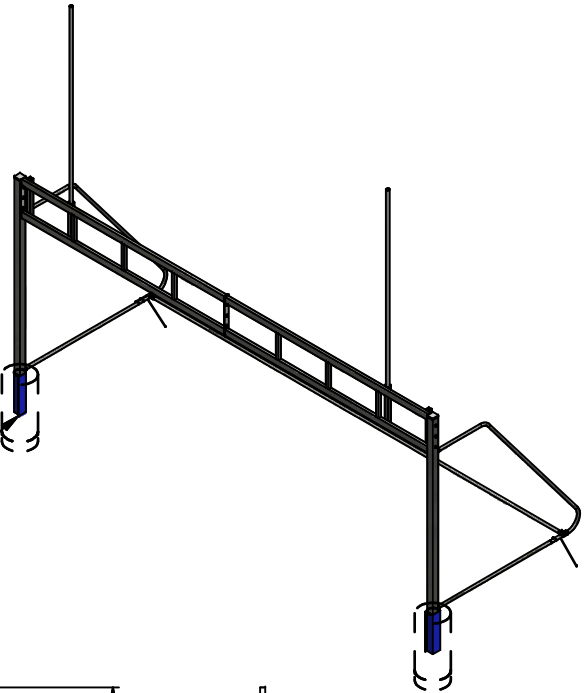


NOTES:

1. MODEL FGP200 INCLUDES A PAIR OF GOALS.
2. STEEL POSTS, UPRIGHTS AND CROSS MEMBER FRAME ARE POWDER COATED WHITE.
3. CAN BE PERMANENTLY OR SEMI-PERMANENTLY INSTALLED USING THE INCLUDED SLEEVES AND CAPS. FOUNDATION BY OTHERS.
4. J" STAKE ANCHORS SUPPLIED AS STANDARD. FOR SEMI-PERMANENT INSTALLATION. UNDERGROUND ANCHORS AVAILABLE AS AN OPTION AND AT ADDITIONAL COST.
5. ZINC PLATED CONNECTION HARDWARE.
6. MODEL SN824-4W NET, 8x24' x 4mm WHITE IS SOLD SEPARATELY IN PAIRS.

NEVER CLIMB OR HANG ON THE NET OR GOAL FRAMEWORK.

GROUND SLEEVES WITH CAP INCLUDED FOR SEMI-PERMANENT INSTALLATION



B	WDC	04-28-20
REV	BY	DATE




Gared Holdings, LLC
9200 E. 146th St. Noblesville, IN 46060

THIS DOCUMENT CONTAINS TRADE SECRET AND OTHER MATERIALS WHICH ARE PROTECTED BY CONFIDENTIALITY NOTICE AND AGREEMENT AND BY COPYRIGHT. ANY USE OR COPYING OF THIS DOCUMENT EXCEPT AS AUTHORIZED BY GARED HOLDINGS, LLC IS STRICTLY PROHIBITED.

COMBINATION FOOTBALL/SOCCER

DRAWN	CROSBY	DATE	4/28/2020	DATE ISSUED
APPROVED		DATE		

FILE LOC. Q:\Inventor Files\Specification Files\06_Outdoor Products

SIZE	SCALE	SHT. NO.	PART NO.	REV
A		1 OF 2	FGP200	B



MODEL FGP200

COMBINATION FOOTBALL AND SOCCER GOAL POST

This unit is designed for multi-use fields where rapid conversion from Soccer to Football and back again is required. This unit is a great product to maximize the use of your playing fields and provides end-user with goals for both sports at an economical price.

Official for high school sports. Soccer goal is 8' high x 24' wide and meets NFSHSA specs. Football goal is 10' high x 23'-4" wide and meets NFSHSA. Front posts and crossbar are 4" wide x 2" deep x 0.125" wall steel tubing with smooth radius corners. Uprights are 1.9" O.D. x 14Ga. wall tubing. Net not included.

Powder coated steel main posts, uprights, and crossbar with detachable 1-5/8" O.D. x 13 Ga. wall galvanized steel soccer backstays and ground bar.

Unit shall be designed for permanent or semi-permanent installation (ground sleeves and sleeve caps included). Uprights or ground sleeves to be installed with footings approximately 24" in diameter and 36" deep. Rear anchors to be installed in 12" square and 18" deep.

Concrete for installation not included.

Subject to design change and current manufacturing practices.