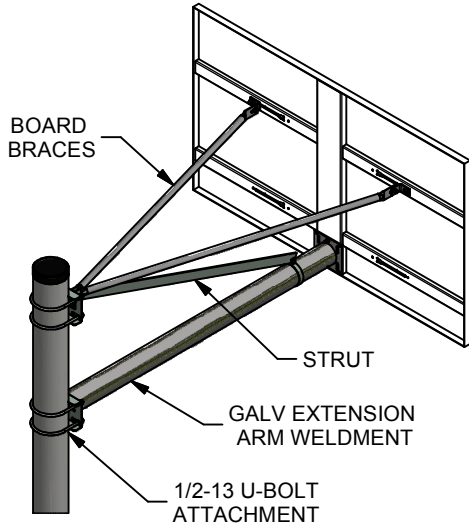
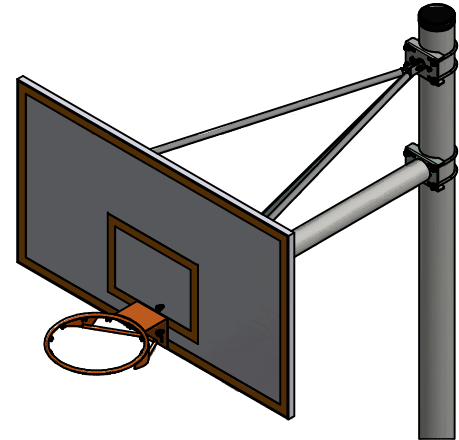


Catalog Package	POST O.D.	ARM EXT.*	Board	Goal	Brace	Strut
PK6010	6 5/8" [168 mm]	5'-10 1/2" [1791 mm]	1272B	7550	YES	YES
AABS65	6 5/8" [168 mm]	5'-10 1/2" [1791 mm]	NONE	NONE	YES**	YES

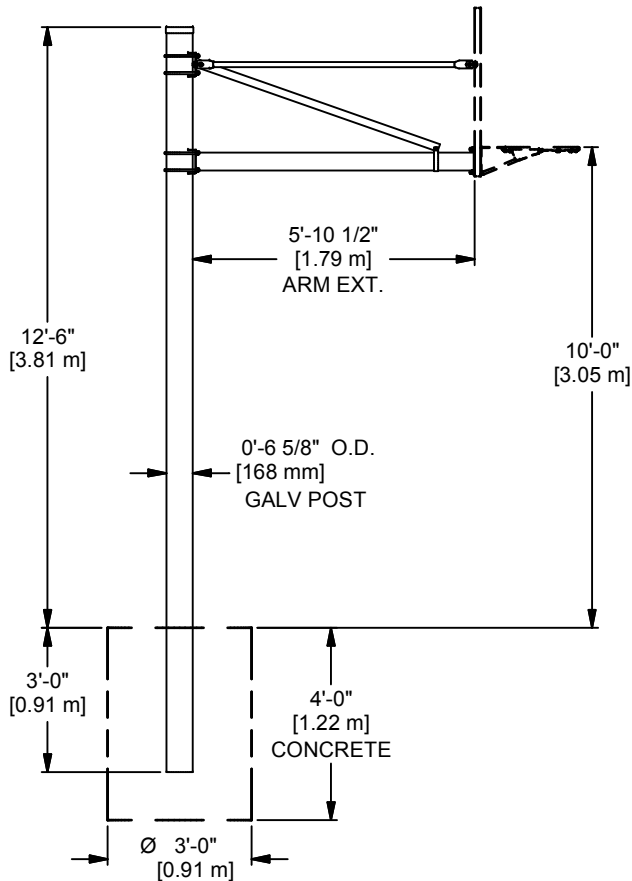
\* Arm extension length is measured to goal mounting plate.  
 \*\* Braces are for "fan style" mounts only.



AABS65



PK6010



NOTES:

- POSTS, ARM, STRUT AND BRACES ARE GALV STEEL FINISH.
- CONCRETE FOUNDATION SUPPLIED BY OTHERS. FOUNDATION SIZE SHOWN IS MINIMUM AND SHOULD BE REVIEWED USING LOCAL WIND LOADS AND SOIL CONDITIONS.

B	WDC	05-07-20
REV	BY	DATE




Gared Holdings, LLC  
 9200 E. 146th St. Noblesville, IN 46060

THIS DOCUMENT CONTAINS TRADE SECRET AND OTHER MATERIALS WHICH ARE PROTECTED BY CONFIDENTIALITY NOTICE AND AGREEMENT AND BY COPYRIGHT. ANY USE OR COPYING OF THIS DOCUMENT EXCEPT AS AUTHORIZED BY GARED HOLDINGS, LLC IS STRICTLY PROHIBITED.

**STRAIGHT POST SYSTEM, 6 5/8" OD, 6' EXT, FRONT**

DRAWN	CROSBY	DATE	5/6/2020	DATE ISSUED
APPROVED		DATE		

FILE LOC. Q:\Inventor Files\Specification Files\06\_Outdoor Products

SIZE	SCALE	SHT. NO.	PART NO.	REV
<b>A</b>		1 OF 2	<b>AABS65</b>	<b>B</b>



## MODEL AABS65

### ADJUSTABLE HEIGHT OUTDOOR BASKETBALL SYSTEM

#### AABS65 Straight Post System, 6 5/8" OD, 6' Ext, Front Mount

This unit is designed to allow for height adjustment of the extension arm by using two 1/2" diameter "U" bolts that secure extension arm to vertical post. The extension arm shall be 4 1/2" O.D. galvanized tubing and shall extend 70 1/2" out from the vertical post. The vertical post shall be 6 5/8" O.D. galvanized tubing with top cap. The mounting plate used as a direct goal attachment for the backboard. A strut shall be used to truss extension arm weldment for additional strength and stiffness. Two braces extending from the upper mounting points of the backboard to the post-strut attachment to provide added rigidity to the system. The system can be used with most outdoor front mounted boards and goals.

Post shall extend into the concrete footing at least 36". Concrete footing shall be 36" minimum in diameter and 48" minimum deep. **Concrete for installation not included.**

#### ACCESSORIES

PP8WR Wrap-Around Pole Pad