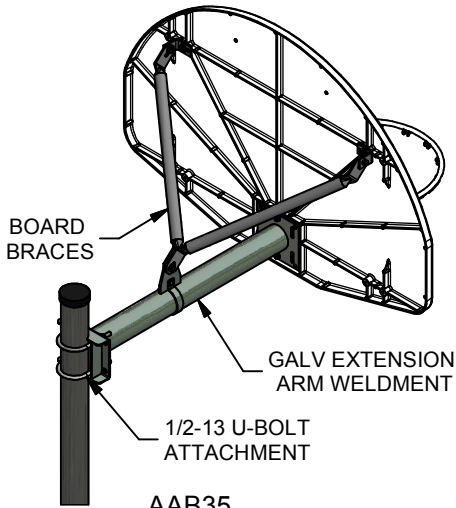


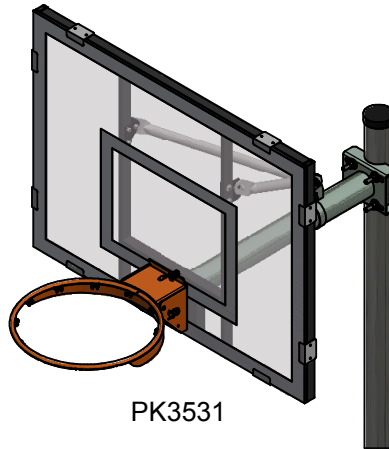
Catalog Package	POST O.D.	ARM EXT*	Board	Goal	Brace	Strut
PK3511	3 1/2" [89 mm]	2'-10 1/2" [876 mm]	1750	39W O	YES	NO
PK3531	3 1/2" [89 mm]	2'-10 1/2" [876 mm]	BB48A38	726	YES	NO
AAB35	3 1/2" [89 mm]	2'-10 1/2" [876 mm]	NONE	NONE	YES**	NO
AAB35R	3 1/2" [89 mm]	2'-10 1/2" [876 mm]	NONE	NONE	YES**	NO

\* Arm extension length is measured to goal mounting plate.

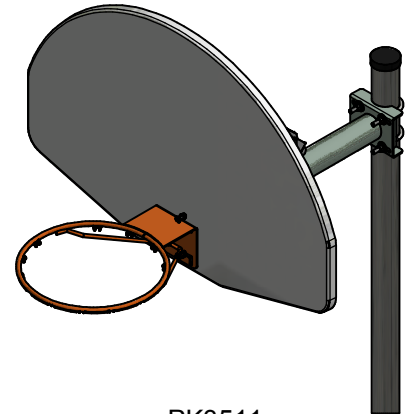
\*\* Braces are for "fan style" mounts only.



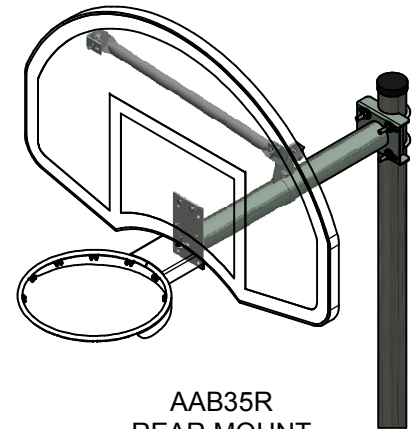
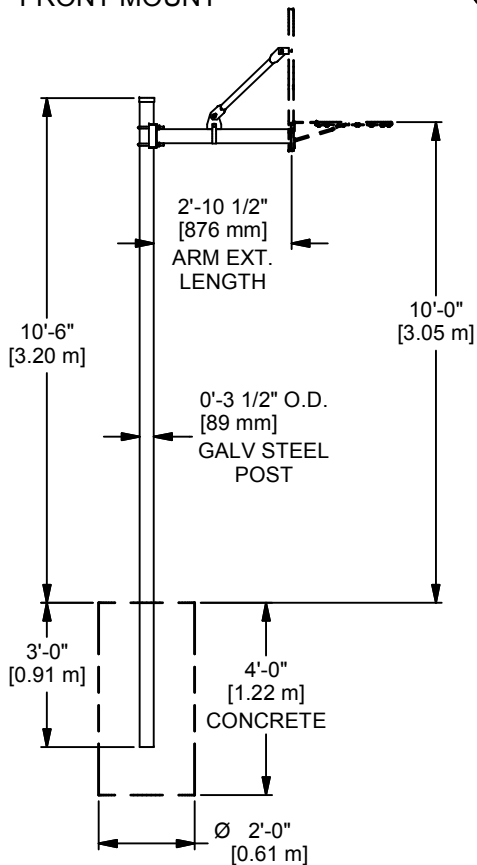
AAB35  
FRONT MOUNT



PK3531



PK3511



AAB35R  
REAR MOUNT

NOTES:

- POSTS, ARM, AND BRACES ARE GALV STEEL FINISH.
- CONCRETE FOUNDATION SUPPLIED BY OTHERS. FOUNDATION SIZE SHOWN IS MINIMUM AND SHOULD BE REVIEWED USING LOCAL WIND LOADS AND SOIL CONDITIONS.

E	WDC	05-06-20
REV	BY	DATE



Gared Holdings, LLC  
9200 E. 146th St. Noblesville, IN 46060

THIS DOCUMENT CONTAINS TRADE SECRET AND OTHER MATERIALS WHICH ARE PROTECTED BY CONFIDENTIALITY NOTICE AND AGREEMENT AND BY COPYRIGHT. ANY USE OR COPYING OF THIS DOCUMENT EXCEPT AS AUTHORIZED BY GARED HOLDINGS, LLC IS STRICTLY PROHIBITED.

STRAIGHT POST SYSTEM, 3.5 DIA, 3' EXT FRONT

DRAWN	CROSBY	DATE	5/6/2020	DATE ISSUED
APPROVED		DATE		

FILE LOC. Q:\Inventor Files\Specification Files\06\_Outdoor Products

SIZE	SCALE	SHT. NO.	PART NO.	REV
A		1 OF 2	AAB35	E



## MODEL AAB35

### ADJUSTABLE HEIGHT OUTDOOR BASKETBALL SYSTEM

#### **AAB35** Straight Post System, 3.5" Post, 3' Ext, Front Mount

This unit is designed to allow for height adjustment of the extension arm by using two 1/2" diameter "U" bolts that secure extension arm to vertical post. The extension arm shall be 3 1/2" O.D. galvanized tubing and shall extend 36" out from the vertical post. The vertical post shall be 3 1/2" O.D. galvanized tubing with top cap. The mounting plate used as a direct goal attachment for the backboard. Two braces extending from the upper mounting points of the backboard to the extension arm provide added rigidity to the system. The system can be used with most outdoor front mounted boards and goals.

Post shall extend into the concrete footing at least 36". Concrete footing shall be 24" minimum in diameter and 48" minimum deep. **Concrete for installation not included.**

#### **AAB35R** Straight Post System, 3.5" Post, 3' Ext, Rear Mount

This unit is designed to allow for height adjustment of the extension arm by using two 1/2" diameter "U" bolts that secure extension arm to vertical post. The extension arm shall be 3 1/2" O.D. galvanized tubing and shall extend 36" out from the vertical post. The vertical post shall be 3 1/2" O.D. galvanized tubing with top cap. The mounting plate used as a direct goal attachment for the backboard. Two braces extending from the upper mounting points of the backboard to the extension arm provide added rigidity to the system. The system can be used with most outdoor rear mounted boards and goals.

Post shall extend into the concrete footing at least 36". Concrete footing shall be 24" minimum in diameter and 48" minimum deep. **Concrete for installation not included.**

### ACCESSORIES

PP4WR Wrap-Around Pole Pad