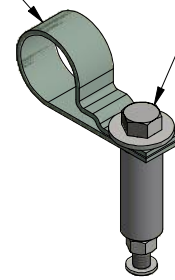
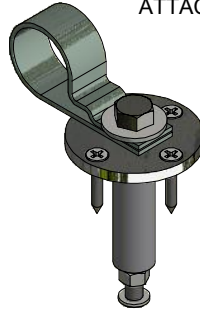
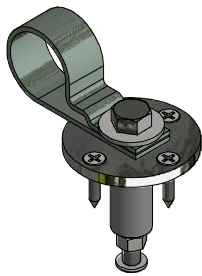


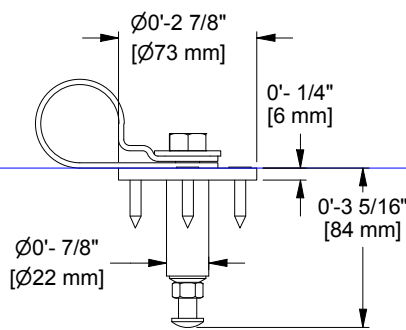
NOTES:

1. DRILL CONCRETE W/ 1 1/8" [28.5 mm] BIT, 3/8" [10mm] DEEPER THAN ANCHOR EMBEDMENT.
2. KIT INCLUDES ANCHOR ADHESIVE

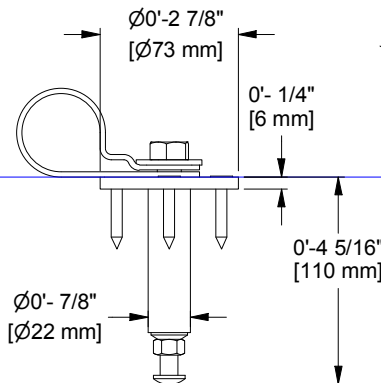


HEAVY GALV TENSION BAND ATTACHES TO BACKSTAY

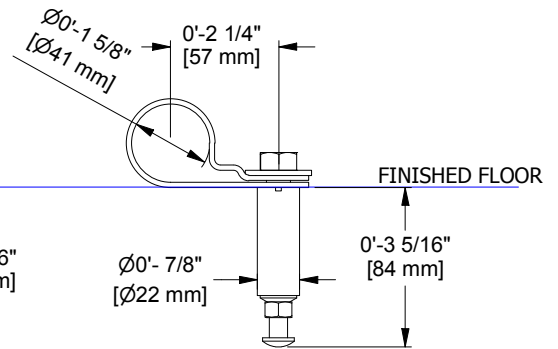
1/2"-13 ZINC PLATED HEX HEAD BOLT



8340B



8340BX



8340C

Style B	Style BX	Style C
Style B anchors are used on wood floors when one layer of wood is directly on concrete.	Style BX anchors are used on wood floor when the floor is over a subfloor directly on concrete.	Style C anchors are used on concrete floors or synthetic floors.
Style B anchors are also used on portable wood basketball floors such as arena floors that are 3" or more thick for anchoring Gared portable units.		

REV	BY	DATE




Gared Holdings, LLC
9200 E. 146th St. Noblesville, IN 46060

THIS DOCUMENT CONTAINS TRADE SECRET AND OTHER MATERIALS WHICH ARE PROTECTED BY CONFIDENTIALITY NOTICE AND AGREEMENT AND BY COPYRIGHT. ANY USE OR COPYING OF THIS DOCUMENT EXCEPT AS AUTHORIZED BY GARED HOLDINGS, LLC IS STRICTLY PROHIBITED.

FLOOR ANCHOR KIT, FUTSAL/HANDBALL

DRAWN CROSBY	DATE 5/4/2020	DATE ISSUED
APPROVED	DATE	

FILE LOC. Q:\Inventor Files\Specification Files\06_Outdoor Products

SIZE A	SCALE	SHT. NO. 1 OF 1	PART NO. 8340	REV
------------------	-------	--------------------	-------------------------	-----