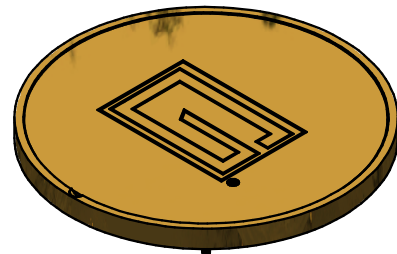
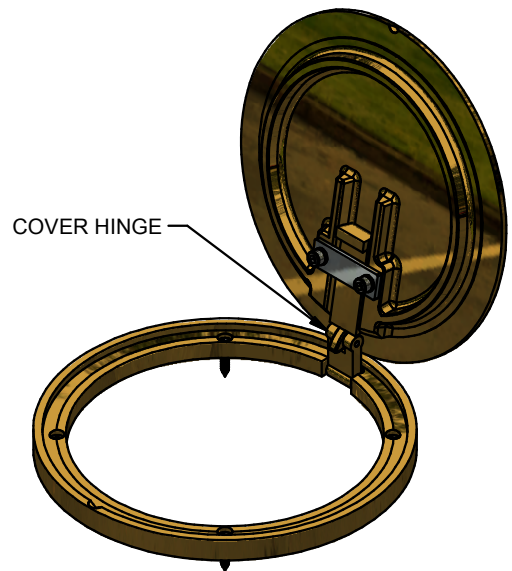
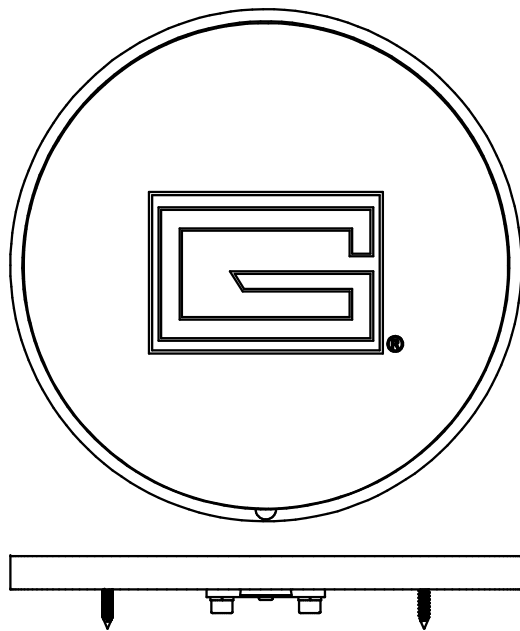
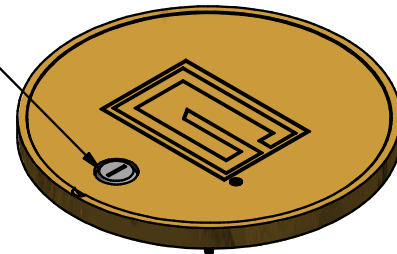


SECTION A-A



6424  
NON-LOCKING

FLUSH  
KEYED LOCK ON  
LOCKING MODELS



6422  
LOCKING

MODEL	FINISH	LOCKING
6424	POLISHED BRASS	NO
6427	CHROME	NO
6422	POLISHED BRASS	YES
6425	CHROME	YES

F	WDC	06-22-20
REV	BY	DATE

**PSS**  
 PERFORMANCE  
 SPORTS SYSTEMS  
**G**  
 GARED™  
 Gared Holdings, LLC  
 9200 E. 146th St. Noblesville, IN 46060

THIS DOCUMENT CONTAINS TRADE SECRET AND OTHER MATERIALS WHICH ARE PROTECTED BY CONFIDENTIALITY NOTICE AND AGREEMENT AND BY COPYRIGHT. ANY USE OR COPYING OF THIS DOCUMENT EXCEPT AS AUTHORIZED BY GARED HOLDINGS, LLC IS STRICTLY PROHIBITED.

**8" BRASS FLOOR COVER**

DRAWN CROSBY	DATE 6/22/2020	DATE ISSUED
APPROVED	DATE	

FILE LOC. Q:\Inventor Files\Specification Files\11\_Volleyball

SIZE <b>A</b>	SCALE	SHT. NO. 1 OF 2	PART NO. <b>6424</b>	REV <b>F</b>
------------------	-------	--------------------	-------------------------	-----------------



### MODEL 6424

#### **8" BRASS FLOOR COVER**

Protect players on the court by installing cover plates over in-ground sleeve inserts.

8", oversized, floor cover shall be brass alloy with attached hinged cover. Hinge and four holes in the ring (for screwing into the floor) shall be completely concealed under the cover when in the closed position, allowing for a completely flat surface. In a "floating" wood floor, the floor plate is connected to the floor only, allowing it to move with the expansion and contraction of the floor. Cover shall be 8" in diameter by 1/2" thick. Diameter of opening shall be 6 5/8".

Flush keyed lock supplied on locking models.

**6424** - Polished Brass without lock

**6427** - Chrome without lock

**6422** - Polished Brass with lock

**6425** - Chrome with lock