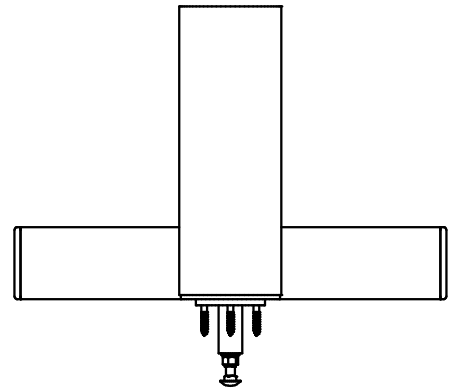
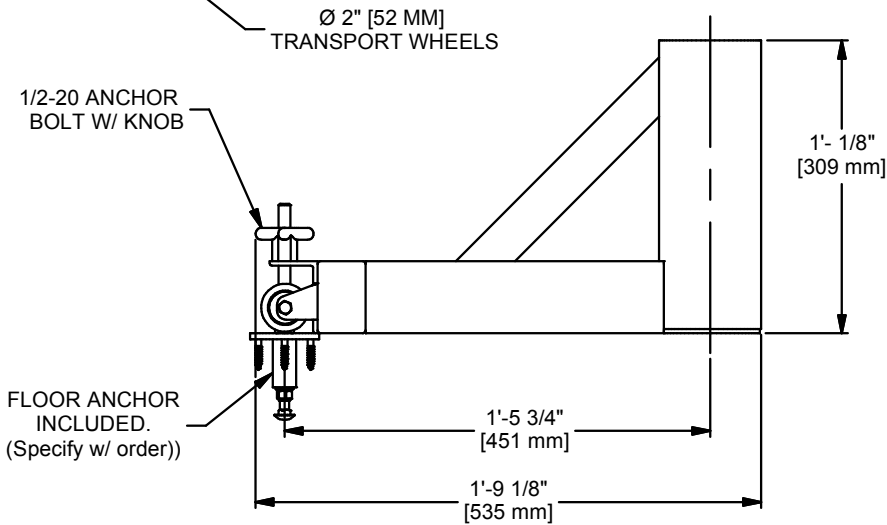
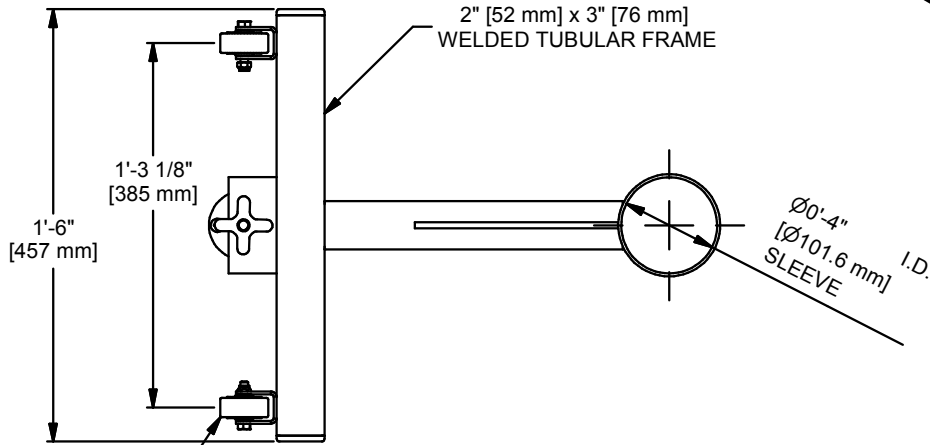
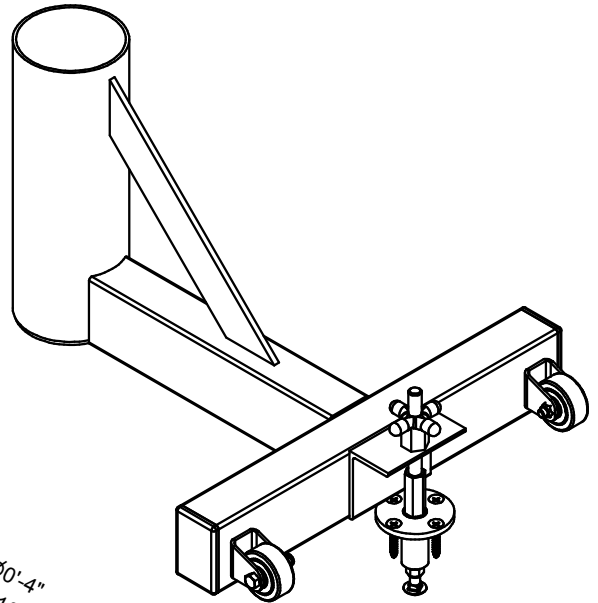


NOTES:

1. Sleeve fits 4" [101.6 mm] OD volleyball post.
Compatible with Gared Volleyball Systems, models 7200 and 7300. Modification to inground post lengths will be required.
2. Welded tubular steel frame powder coated black.
3. Specify floor anchor type with order.
4. Sold as each.



D	WDC	06-17-20
REV	BY	DATE




Gared Holdings, LLC
9200 E. 146th St. Noblesville, IN 46060

THIS DOCUMENT CONTAINS TRADE SECRET AND OTHER MATERIALS WHICH ARE PROTECTED BY CONFIDENTIALITY NOTICE AND AGREEMENT AND BY COPYRIGHT. ANY USE OR COPYING OF THIS DOCUMENT EXCEPT AS AUTHORIZED BY GARED HOLDINGS, LLC IS STRICTLY PROHIBITED.

ABOVE FLR END T-BASE SLEEVE 4"

DRAWN CROSBY	DATE 6/17/2020	DATE ISSUED
APPROVED	DATE	

FILE LOC. Q:\Inventor Files\Specification Files\11_Volleyball

SIZE A	SCALE	SHT. NO. 1 OF 2	PART NO. 6407	REV D
------------------	-------	--------------------	-------------------------	-----------------



MODEL 6407
VOLLEYBALL END T-BASE, 4" SLEEVE

RECOMMENDED APPLICATION

Designed for use in facilities where a sub-floor structure is not adequate to accommodate the installation of a floor sleeve. Compatible with Gared Volleyball Systems, models 7200 and 7300. Modification to post lengths will be required.

SPECIFICATIONS

T-base shall be constructed of welded steel tubing with a black powder coat finish. Sleeve is capable of accepting a 4" [101.6 mm] diameter volleyball post. The gross dimensions will be 12" high x 21 1/8" long x 18" wide. 2" [52 mm] non-marking transport wheels are included.

T-base is securely locked in place with a 1/2" threaded rod on a hand knob and screws into a 1/2 - 13, floor anchor. Anchor is included. Specify anchor type required from list below:

- 151651460 Style BX – For wood floors installed directly over concrete, except knurled anchor has been extended to 3-1/4"
- 151651461 Style B – For wood floors installed directly over concrete
- 151651462 Style C – For concrete floors or synthetic floors installed directly over concrete
- 151651463 Style E – For floating wood floors resting on sleepers or metal clip fasteners

ACCESSORIES

- 6408 Center T-Base, 4" Sleeve (for multi-court systems)
- 6050 T-Base Pad Set (must specify color)
- 6060 Center T-Base Pad (must specify color)