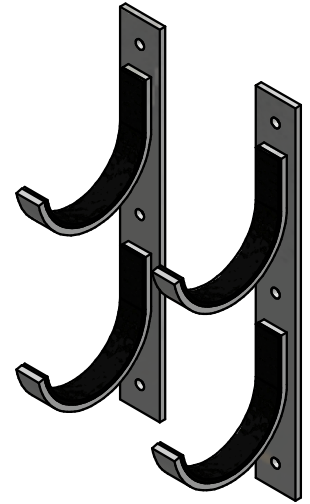
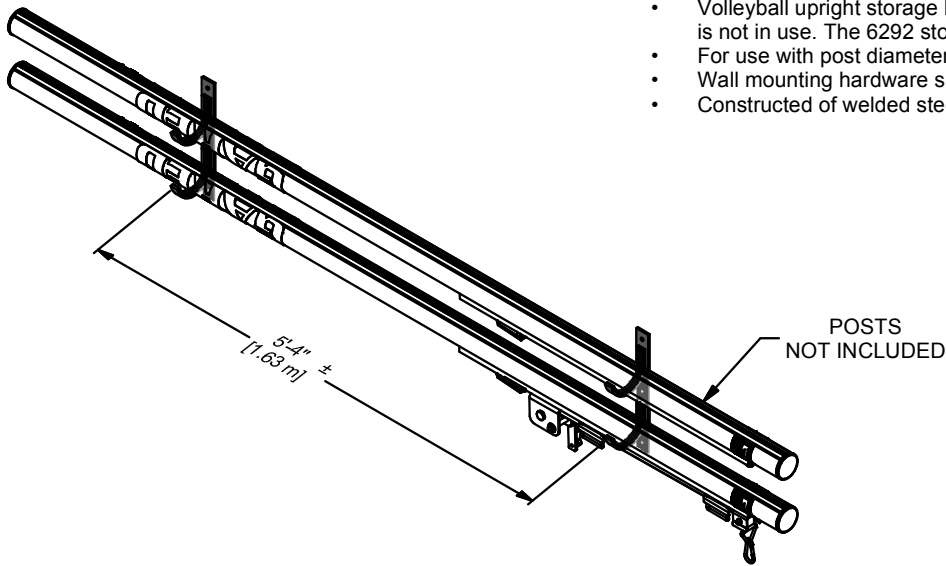
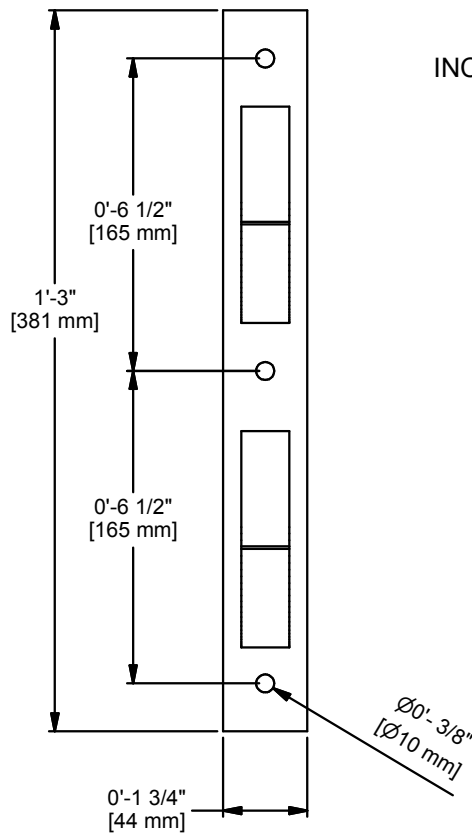
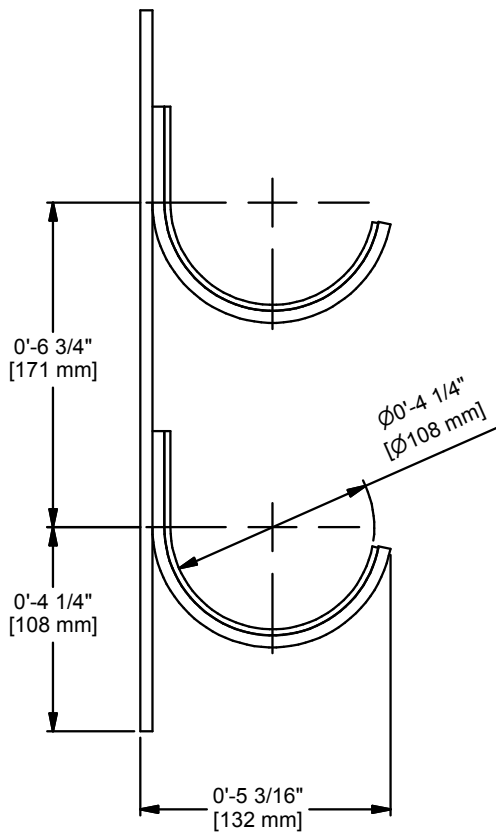


NOTES:

- Volleyball upright storage brackets save valuable floor space when system is not in use. The 6292 stores a pair of uprights horizontally on any wall.
- For use with post diameters up to 4" [102 mm] diameter.
- Wall mounting hardware supplied by others.
- Constructed of welded steel with a white powder coat finish.



MODEL 6292  
INCLUDES A PAIR OF BRKTS



A	WDC	06-25-20
REV	BY	DATE



Gared Holdings, LLC  
9200 E. 146th St. Noblesville, IN 46060

THIS DOCUMENT CONTAINS TRADE SECRET AND OTHER MATERIALS WHICH ARE PROTECTED BY CONFIDENTIALITY NOTICE AND AGREEMENT AND BY COPYRIGHT. ANY USE OR COPYING OF THIS DOCUMENT EXCEPT AS AUTHORIZED BY GARED HOLDINGS, LLC IS STRICTLY PROHIBITED.

HORIZONTAL UPRIGHT STORAGE BRACKET

DRAWN	CROSBY	DATE	6/25/2020	DATE ISSUED
APPROVED		DATE		

FILE LOC. Q:\Inventor Files\Specification Files\11\_Volleyball

SIZE	SCALE	SHT. NO.	PART NO.	REV
A		1 OF 1	6292	A