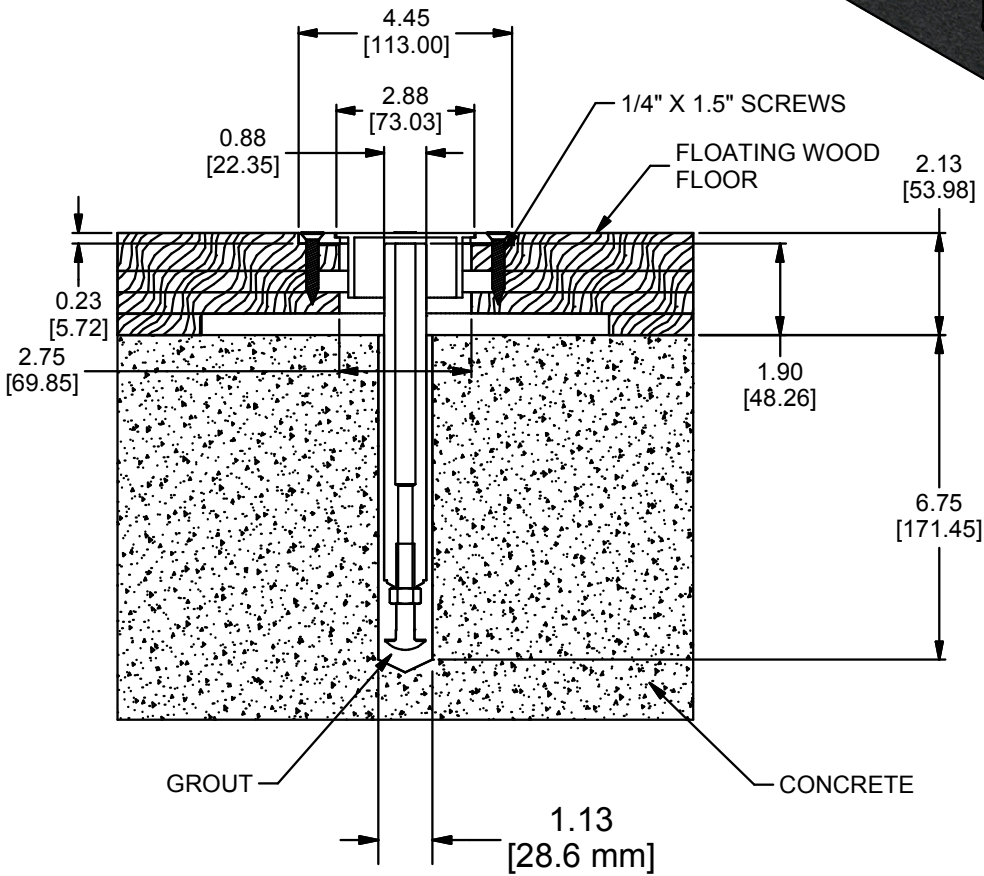
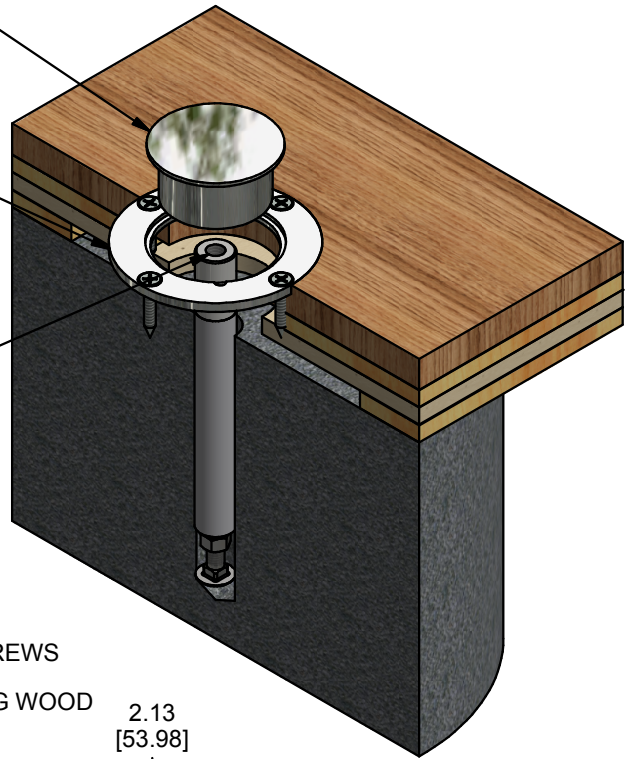


REMOVABLE CHROME CAP
 CHROME STEEL RING
 1/2" UNC THREADED CENTER



A	MJP	1/20/20
REV	BY	DATE



GARED
 Gared Holdings, LLC
 9200 E. 146th St. Noblesville, IN 46060

THIS DOCUMENT CONTAINS TRADE SECRET AND OTHER MATERIALS WHICH ARE PROTECTED BY CONFIDENTIALITY NOTICE AND AGREEMENT AND BY COPYRIGHT. ANY USE OR COPYING OF THIS DOCUMENT EXCEPT AS AUTHORIZED BY GARED HOLDINGS, LLC IS STRICTLY PROHIBITED.

STYLE E FLOOR ANCHOR

DRAWN CONNERLEY	DATE 5/22/2012	DATE ISSUED
APPROVED CONNERLEY	DATE 5/22/2012	
FILE LOC. Q:\Inventor Files\Specification Files\14_Floor Anchors		
SIZE A	SCALE	SHT. NO. 1 OF 1
PART NO. 151651463		REV A