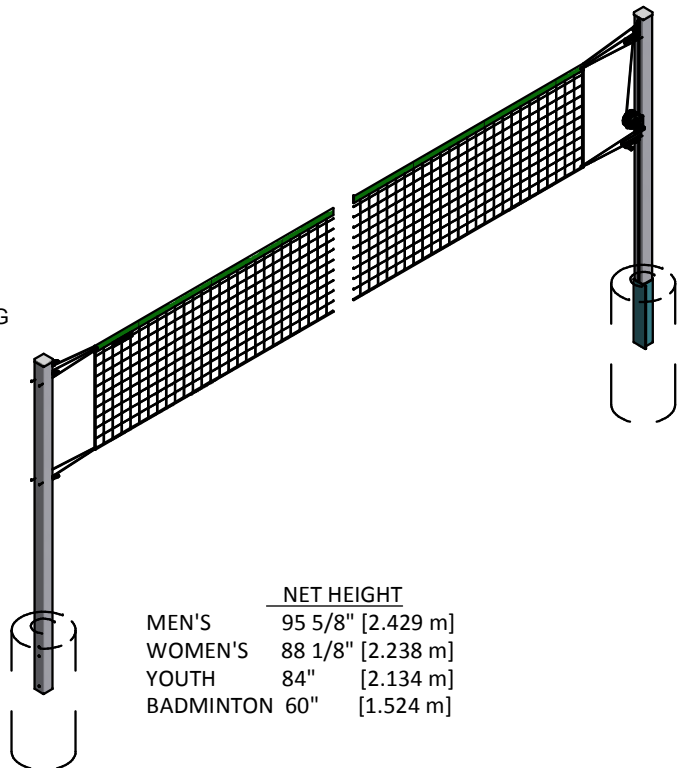
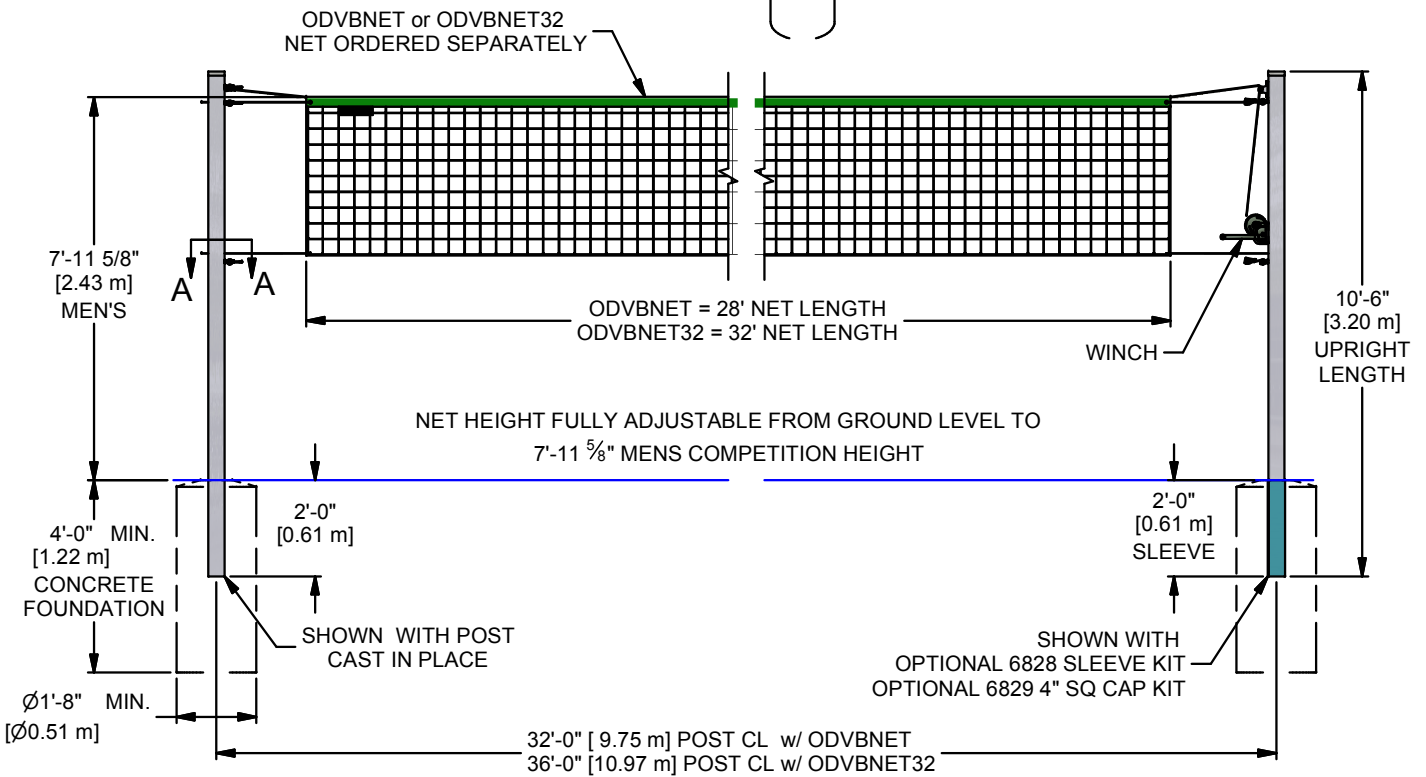


SECTION A-A



	NET HEIGHT	
MEN'S	95 5/8"	[2.429 m]
WOMEN'S	88 1/8"	[2.238 m]
YOUTH	84"	[2.134 m]
BADMINTON	60"	[1.524 m]



A	WDC	03-27-20
REV	BY	DATE

Gared Holdings, LLC
9200 E. 146th St. Noblesville, IN 46060

THIS DOCUMENT CONTAINS TRADE SECRET AND OTHER MATERIALS WHICH ARE PROTECTED BY CONFIDENTIALITY NOTICE AND AGREEMENT AND BY COPYRIGHT. ANY USE OR COPYING OF THIS DOCUMENT EXCEPT AS AUTHORIZED BY GARED HOLDINGS, LLC IS STRICTLY PROHIBITED.

OUTDOOR V'BALL STDS, 4" SQ AL L/SLVS

DRAWN CONNERLEY	DATE 2/11/2010	DATE ISSUED 2/11/2010
APPROVED CONNERLEY	DATE 2/11/2010	

FILE LOC. Q:\Inventor Files\Specification Files\Volleyball

SIZE A	SCALE NONE	SHT. NO. 1 OF 2	PART NO. ODVB40SQ	REV A
-----------	---------------	--------------------	----------------------	----------



MODEL ODVB40SQ

4' SQ OUTDOOR VOLLEYBALL STANDARDS

RECOMMENDED APPLICATION

Designed for use in a school, park, or playground environment.

SPECIFICATIONS

The ODVB40SQ shall be constructed of 4" square high strength alloy aluminum uprights. Each upright shall have a continuous groove for net attachment hardware and winch attachment and provide for infinite net heights from ground to 7'-11 5/8". One upright shall have a net tensioning winch to adjust the tension of the top net cable. All hardware shall be galvanized or plated to protect against corrosion.

NET (must be specified and sold separately)

Model ODVBNET -28 ft [8.50 m] net length. For post centers set at 32' [9.75 m].

Model ODVBNET32 -32 ft [9.75 m] net length. For post centers set at 36' [10.97 m].

Net shall have a 2 1/2" [64 mm], heavy-duty green vinyl headband wrapped around a top net cable. Cable shall be 5/32" [4 mm] diameter, PVC coated galvanized steel. Net shall measure 39.4" [1.0 m] wide with 4" [100 mm] square mesh constructed from .079" [2 mm] knotted black twisted polyethylene material. The ends and bottom edges of the netting shall be woven with a 1/4" [6 mm] black polyethylene braided rope. Net ties shall be 36' [.91 m] in length, constructed from 1/8" [3 mm] diameter braided rope. Ties shall be located on all four net corners.

OPTIONAL EQUIPMENT

Model 6828 -Sleeve Kit, 4" SQ (Must be specified and ordered separately)

Model 6829 -Cap Kit, 4" SQ (Must be specified and ordered separately)

Model 6815 -Conversion Kit for Sand/Beach Volleyball (Sold Separately)

Subject to design change and current manufacturing practices.

©2008 Gared Holdings, LLC