



Model: FGP 801

Football Goal Posts

Installation and Maintenance Instructions

.....

**Please read all instructions before
attempting installation of these units**

.....

Gared Sports

707 North 2nd Street

St. Louis, MO 63102

800-325-2682

Performance Sports Systems

9200 E. 146th Street

Noblesville, IN 46060

800-848-8034

SAVE THESE INSTRUCTIONS FOR FUTURE USE



FGP801 Football Goal Posts



Product & Part Number Definition

- FGP600GS Ground Sleeves for use with 5 9/16” diameter standard mounting goal posts. Cannot be used with plate mounted goal posts.
- FGP801S Standard mount 5 9/16” diameter gooseneck goal post with 23’-4” width High School crossbar and 20’ uprights (30’ above ground). Unit can be permanent mounted in concrete or used with ground sleeves.
- FGP801P Plate mount 5 9/16” diameter gooseneck goal post with 23’-4” width High School crossbar and 20’ uprights (30’ above ground). Unit cannot be used with ground sleeves.
- FGP802S Standard mount 5 9/16” diameter gooseneck goal post with 18’-6” width College crossbar and 20’ uprights (30’ above ground). Unit can be permanent mounted in concrete or used with ground sleeves.
- FGP802P Plate mount 5 9/16” diameter gooseneck goal post with 18’-6” width College crossbar and 20’ uprights (30’ above ground). Unit cannot be used with ground sleeves.

Note: Part numbers that have a “Y” added to the end of the number indicate the [crossbar and uprights](#) are painted yellow. Part numbers that have a “W” added to the end of the number indicate the [crossbar and uprights](#) are painted white.

Note: The main post gooseneck is shipped galvanized only. Gooseneck post to be painted by others after installation.



FGP801 Football Goal Posts



Table of Contents

<u>Section</u>	<u>Page No.</u>
Introduction/Liability Disclaimer	4
Parts Checklist	5
Preparation for Installation	7
Ground Sleeve Installations	8
Post Installation – Permanent Mount	9
Post Installation – Plate Mount	10
Post Installation with Ground Sleeves	12
Crossbar Installation	13
Upright Installation	14
Wind Flag Installation	14
Maintenance	15



FGP801 Football Goal Posts



Introduction/Liability Disclaimers

Thank you for your purchase of a Gared Sports FGP Series Football Goal Post. To ensure that our equipment will provide years of use to you, we are including this installation and maintenance guide. This guide will provide information on the proper assembly and installation methods and preventative maintenance of your football goal post.

Please note that a Bill of Materials is being included with this guide. Please check that all of the parts called out on the Bill of Materials are present prior to beginning assembly. Please do not substitute for factory parts. Please contact the Gared Sports customer service department and allow them to determine if substitute parts are acceptable.

It is recommended that an individual who has been properly trained perform assembly and set up of the Football Goal Post. No one under the age of 18 should attempt assembly or set up of the unit, unless properly supervised.

To prevent normal wear and tear from shortening the life of the unit, preventative maintenance inspections and repairs should be performed at least once per year. If the units are subject to high or unusual usage, inspections should be scheduled to occur more frequently. If items are found to be nonconforming, replacements can be ordered from Gared Sports or one of our authorized dealers. When contacting Gared Sports, please have information regarding the dealer/installer who sold the unit, the name of the project, and any applicable warranty information.

 WARNING
Do not allow persons to hang on Football Goal Post. Serious injury may occur from a fall. All football goal posts must be installed properly to avoid injury from tip over. Read and understand all assembly instructions.

Before proceeding with assembly, read all instructions and assembly procedures. Make sure all parts have been received and are not damaged.



FGP801 Football Goal Posts



Parts Checklist

Verify all parts listed on packing list are present prior to installation.

Football Goal Post Components

Check the chart for the proper parts that match the Goal P/N received.

NOTE: Quantities are shown for a single goal. Double the quantities shown for goal post pairs.

5.56" Diameter Goal Post			23'-4"	18'-6"	23'-4"	18'-6"
Item	Description	Qty	FGP801S	FGP802S	FGP801P	FGP802P
1	Hardware Kit	1	155752640	155752640	155752641	155752641
2	Post	1	945755241	945755241	945751103	945751103
3	Crossbar	1	945751719	945751713	945751719	945751713
4	Upright	2	945755242	945755242	945755242	945755242
5	Upright Bracket	2	945752581	945752581	945752581	945752581
6	Wind Flag Kit	1	155752729	155752729	155752729	155752729
7	Anchor Bolts	4			945751195	945751195
8	Anchor Template	1			945751728	945751728
9	Re-Bar	4			945751734	945751734

Ground Sleeve Components

Check the chart for the proper parts that match the Ground Sleeves you received.

NOTE: Quantities are shown for a single goal. Double the quantities shown for goal post pairs.

Goal Post			4.5" Diameter Post	5.56" Diameter Post
Item	Description	Qty	FGP400GS	FGP600GS
1A	Ground Sleeve	1	945752124	645751723
2A	Threaded Rod 1/2 -13 x 6.25	2	101152131	
3A	Threaded Rod 1/2 -13 x 10.0	2	101152132	
4A	Nut 1/2 -13	10	541-8-13	
5A	Threaded Rod 3/4 -10 x 7.875	2		945751721
6A	Threaded Rod 3/4 -10 x 12.0	2		945751724
7A	Nut 3/4 -10	10		541-12-10



FGP801 Football Goal Posts



Hardware Kit Components

Check the chart for the proper parts that match the Goal P/N received.

NOTE: Quantities are shown for a single goal. Double the quantities shown for goal post pairs.

		Goal Post	FGP401&2S	FGP401&2P	FGP801&2S	FGP801&2P
Item	Description	Qty	155752638	155752639	155752640	155752641
1B	Set Screw	6	515-8-13-16	515-8-13-16	515-8-13-16	515-8-13-16
2B						
3B						
4B	Bolt, 1/2-13 x 3.5	2	502-8-13-56	502-8-13-56	502-8-13-56	502-8-13-56
5B	Bolt, 1/2-13 x 5.0	2	502-8-13-80	502-8-13-80		
6B	Bolt, 1/2-13 x 5.5	1	502-8-13-88	502-8-13-88		
7B	Bolt, 1/2-13 x 6.0	2			502-8-13-96	502-8-13-96
8B	Bolt, 1/2-13 x 6.5	1			502-8-13-104	502-8-13-104
9B	Flat Washer, 1/2	6	561-8	561-8	561-8	561-8
10B	Flat Washer, 3/4	12		561-12		561-12
11B	Nut, 1/2-13	2	541-8-13			
12B	Nut, 3/4-10	12		541-12-10		541-12-10
13B	Nut, 3/4-10	2			541-12-10	
14B	Nut, Nylon Lock, 1/2-13	5	545-8-13	545-8-13	545-8-13	545-8-13
15B	Threaded Rod, 1/2-13 x 6.25	1	101152131			
16B	Threaded Rod, 3/4-10 x 7.88	1			945751721	

Wind Flag Kit Components

NOTE: Quantities are shown for a single goal. Double the quantities shown for goal post pairs.

		Goal Post	All Models
Item	Description	Qty	155752729
1C	End Cap for Upright	2	945752727
2C	Eye Bolt	2	1406-11-00
3C	5/16-18 Hex Nut	2	541-5-18
4C	5/16-18 Nylon Lock Nut	2	545-5-18Z
5C	1/4-20 x 1/4 Set Screw	4	513-4-20-4
6C	Snap Link	2	1281-30-00
7C	Wind Flag	2	945751760

Required Tools

- | | |
|---------------------------------|----------------------|
| 1/2" electric or cordless drill | 1/8" Allen Wrench |
| 17/32" drill bit | pliers |
| 1/2" drive ratchet | cutting pliers |
| 3/4" socket | mallet |
| 1 1/8" socket | hammer |
| 1/2" open end wrench | level |
| 3/4" wrench | tape measure |
| 1 1/8" open end wrench | chalk line or string |

Also required is necessary equipment to dig hole for posts, ground sleeves, or post supports. Concrete working tools will be required.

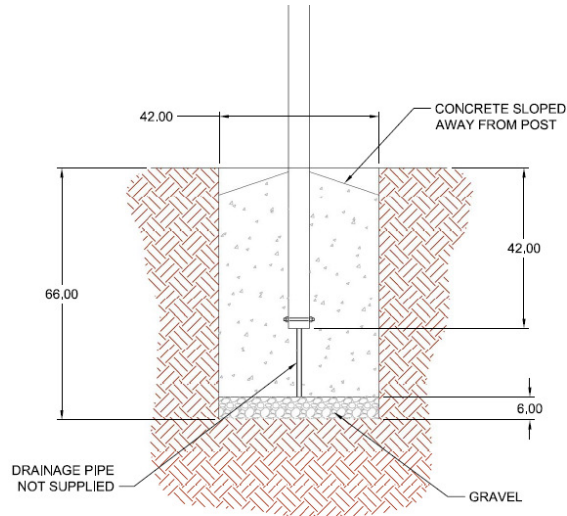
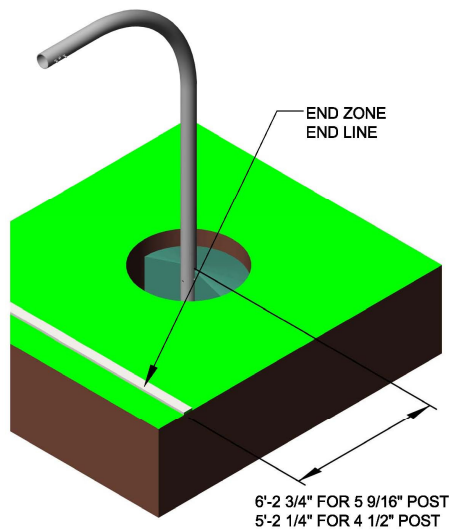


FIGURE 1

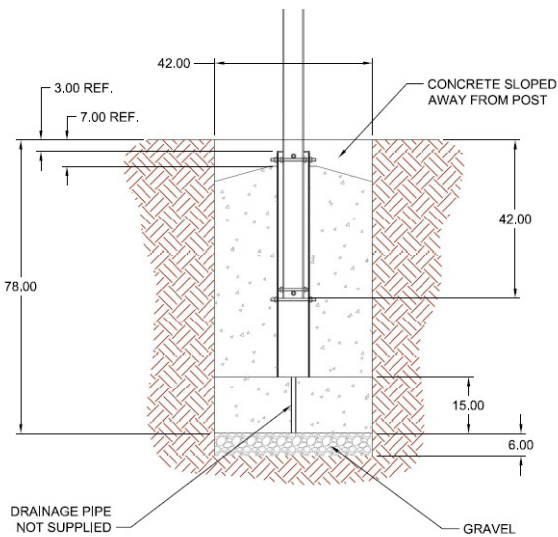


FIGURE 2

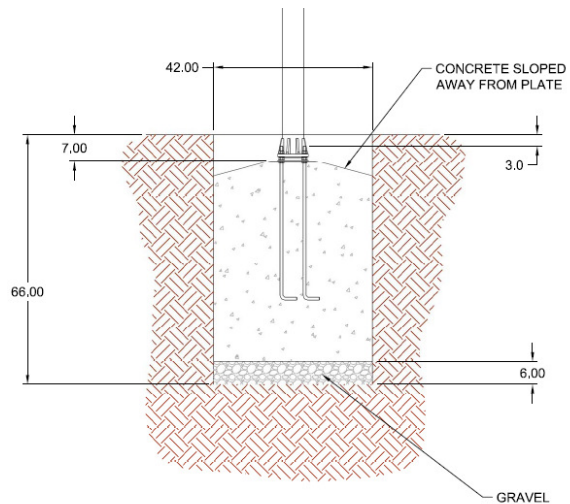


FIGURE 3

Preparation for installation

1. Layout the location for the holes on the field. For the FGP801 or 802 series goals (5 9/16" diameter posts), the center of the hole must be 8'-2 3/4" behind the front of the end zone end line as shown above
2. Dig hole as shown in Figure 1, Figure 2, or Figure 3 depending on the type of post installation required. Figure 1 shows dimensions for a permanent mounting, Figure 2 shows dimensions for ground sleeve mounting, and Figure 3 shows dimensions for the plate mounted goals.

Ground Sleeve Installation (Figure 4)

NOTE: This section provides information for proper location and installation of the optional ground sleeves. If your installation requires a permanent mounted post or plate mounted post, proceed to the section on post installation for the appropriate post configuration.

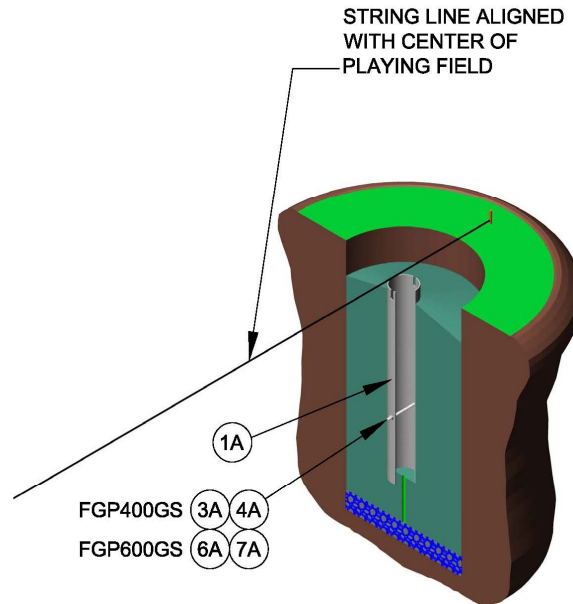


FIGURE 4

1. Stretch a string the length of the field centered on the playing field. This string should be over the center of the holes on each end of the field dug for the sleeve mounts.
2. Add 6" of gravel to the bottom of each hole.
3. Insert a drainage tube approximately 16" long in the center of each hole and pour about 15" of concrete into each hole to form a footer for the sleeve. Allow this concrete to set long enough to support the weight of the ground sleeve.
4. Install one of the long threaded rods (Item 3A or 6A) through the hole in the ground sleeve and secure with a nut (Item 4A or 7A) on each side. Tighten nuts by hand.
5. Set the ground sleeve (Item 1A) into the center of the hole with the slots at the top. Align slots with the string line. Make sure the sleeve is plumb and the center of the sleeve is 6' - 2 3/4" behind the front of the end zone end line for the FGP600GS or 5' - 2 1/4" behind the front of the end zone end line for the FGP400GS.
6. Measure from the playing surface down to the top of the threaded rod in the sleeve. Make sure this measurement is between 42" and 42.25". Adjust height of sleeve in the hole to achieve the proper dimension.
7. Fill the hole around the ground sleeve with concrete to approximately 7" below the ground surface. Slope the concrete away from the sleeve to promote drainage.
8. Concrete should cure for a minimum of 5 days before installing goal posts.

Post Installation – Permanent Mount (Figure 5)

NOTE: This section provides information for proper location and installation of the permanent mounted goal post. If your installation requires a plate mounted post, proceed to the section on Post Installation – Plate Mounted. For installations with ground sleeves, see the section title Post Installation with Ground Sleeves.

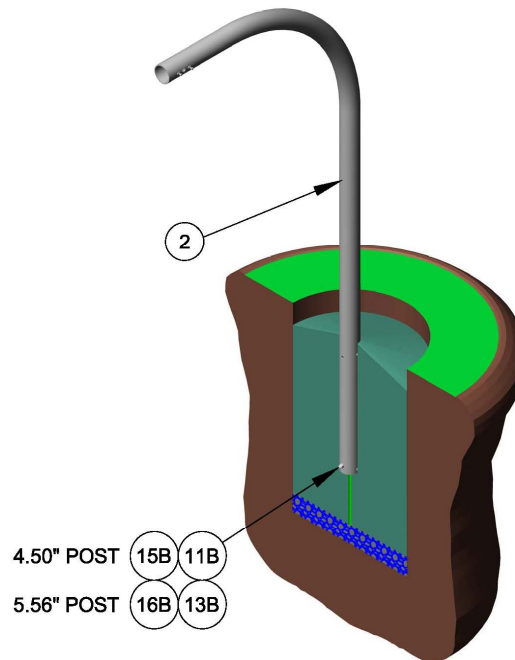


FIGURE 5

1. Add 6” of gravel to the bottom of the hole.
2. Insert a drainage tube approximately 20” long in the center of each hole and pour about 18” of concrete into each hole to form a footer for the post. Allow this concrete to set long enough to support the weight of the post.
3. Install one of the threaded rods (Item 15B or 16B) through one of the bottom holes in the post and secure with a nut (Item 11B or 13B) on each side. Tighten nuts by hand.
4. Set the post (Item 2) into the center of the hole with the horizontal portion of the gooseneck aligned with the centerline of the playing field. Make sure the post is plumb and the center of the post is 8’-2 3/4” behind the front of the end zone end line.
5. Support the post to maintain its position while the concrete cures. This may require some scaffolding and bracing. Measure from the playing surface to the center of the open end of the pipe at the gooseneck. The measurement taken should be 117.75” for a 5 9/16” post and 118.25” for a 4 1/2” post.
6. Fill the hole around the post with concrete to approximately 2” below the ground surface. Slope the concrete away from the post to promote drainage.
7. Concrete should cure for a minimum of 5 days before removing bracing and installing crossbar and uprights.

Post Installation – Plate Mount (Figures 6,7,& 8)

NOTE: This section provides information for proper location and installation of the plate mounted goal post. If your installation requires a permanent mounted proceed to the section on Post Installation – Permanent Mount. For installations with ground sleeves, see the section title Post Installation with Ground Sleeves.

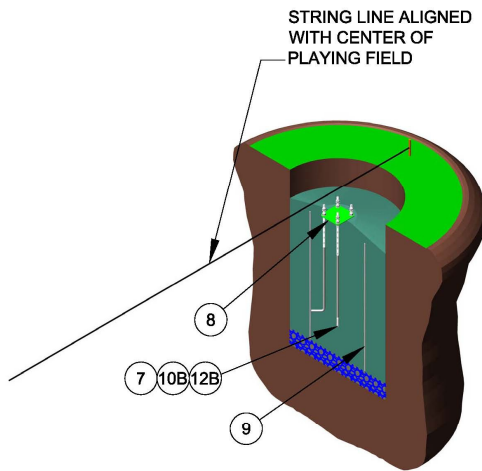


FIGURE 6

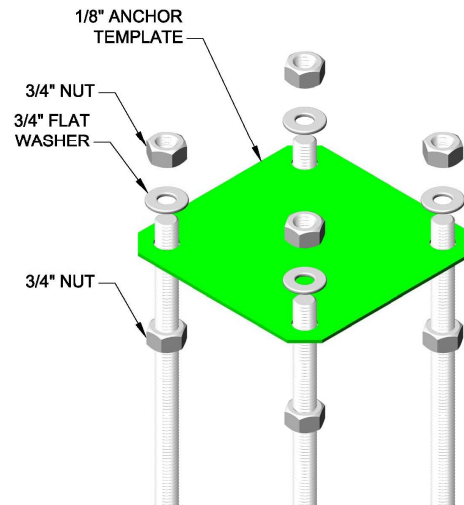


FIGURE 7

1. Stretch a string the length of the field centered on the playing field. This string should be over the center of the holes on each end of the field dug for the post mounts.
2. Add 6" of gravel to the bottom of each hole.
3. Install a 3/4" nut (Item 12B) onto each anchor rod (Item 7). Screw the nut onto the rod 4 1/4". Make sure 4 1/4" of thread is exposed above the nut. (Figure 7)
4. Install each rod into the ground template plate (Item 8), add a 3/4" flat washer (Item 10B) and secure with another 3/4" nut (Item 12B). Make sure the bent portion of the rods are turned outward from the plate at approximately a 45° angle. Tighten the nuts by hand.
5. Fill the hole with concrete to approximately 7" below the ground surface. Level a spot in the center of the hole about 10" in diameter. Slope the concrete away from the center to promote drainage.
6. Insert the plate and rod assembly into the concrete and work it down until the bottom of the plate is touching the concrete. (Figure 6) Make sure the center of the plate is directly under the string line and make sure the center of the plates is 8'-2 3/4" behind the front of the end zone end line.
7. Insert the four pieces of re-bar (Item 9) vertically into the concrete about 4" out from the plate and 90° from each other. Work the bars down until they are approximately 3" below the surface of the concrete.

8. Smooth surface of concrete and allow to cure.
9. Concrete should cure for a minimum of 5 days before installing goal posts.

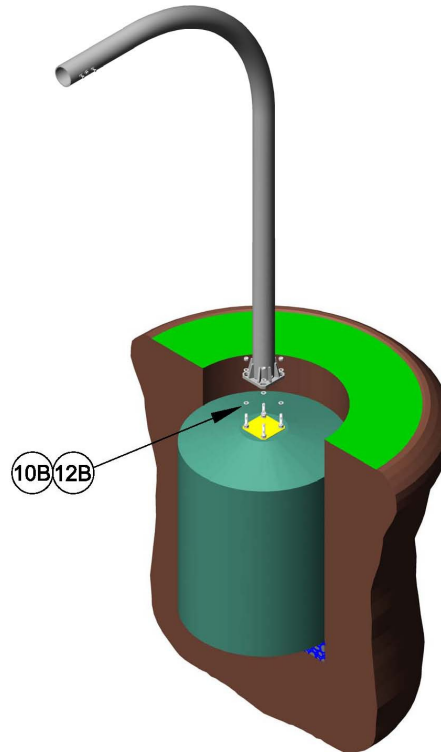


FIGURE 8

After concrete has cured completely proceed with installing the post onto the base.

1. Install a $\frac{3}{4}$ " flat washer (Item 10B) on each threaded rod.
2. Set post over the threaded rods being careful to not damage the exposed threads.
3. Install another $\frac{3}{4}$ " flat washer (Item 10B) on each rod and then install a $\frac{3}{4}$ " nut (Item 12B) on each rod.
4. Tighten all four nuts enough to make sure the post is firmly seated on the base.
5. Place a level on the post and check for plumb (check both directions).
6. If post requires adjustment to plumb, loosen the nuts and adjust the nuts under the post plate to raise the edge of the plate. Tighten the top nuts and recheck for plumb. Continue adjusting until the post is plumb.
7. Measure from the playing surface to the center of the open end of the pipe at the gooseneck. The measurement taken should be 117.75" for a $5 \frac{9}{16}$ " post and 118.25" for a $4 \frac{1}{2}$ " post.
8. Adjust the height of the post to achieve the correct measurement by adjusting the nuts at the base of the post.
9. Once the post has been plumbed and adjusted to the correct vertical measurement, check the gooseneck alignment to the center of the field.

10. Rotate the gooseneck to make sure the horizontal portion of the gooseneck is accurately lined up with the centerline of the playing field.
11. Tighten all nuts securely to prevent movement of the post.

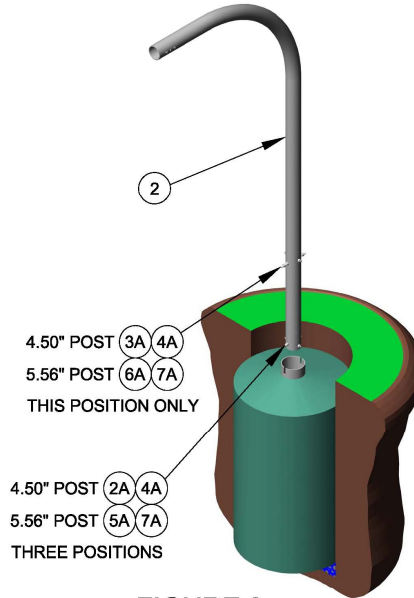


FIGURE 9

Post Installation with Ground Sleeves (Figure 9)

NOTE: This section provides information for proper location and installation of the goal post with ground sleeves. If your installation requires a permanent mounted proceed to the section on Post Installation – Permanent Mount. For installations with plate mounted posts, see the section title Post Installation –Plate Mount.

1. Install the long threaded rod (Item 3A or 6A) through the top hole in line with the gooseneck. Center the rod and secure with a nut (Item 4A or 7A) on each side.
2. Install the three short threaded rods (Item 2A or 5A) in the remaining three holes. Center each rod and secure with a nut (Item 4A or 7A) on each side.
3. Set the post into the sleeve and lower until the long threaded rod engages in the slot at the top of the sleeve.
4. Place a level on the post and check for plumb (check both directions).
5. If post requires adjustment to plumb, remove the post from the sleeve and loosen the nuts on the threaded rods. Tighten one of the nuts on one side of the threaded rod to shift the rod to the side. Tighten the nuts on both sides and set the post back into the sleeve. Recheck for plumb. Continue this process until the post is plumb.
6. Measure from the playing surface to the center of the open end of the pipe at the gooseneck. The measurement taken should be 117.75” for a 5 9/16” post and 118.25” for a 4 1/2” post.
7. Adjust the threaded rods in line with the gooseneck to tilt the post. Tilting the post will adjust height of the gooseneck to achieve the correct measurement.
8. Once the post has been plumbed and adjusted to the correct vertical measurement, check the gooseneck alignment to the center of the field.

FGP801 Football Goal Posts

9. Rotate the gooseneck to make sure the horizontal portion of the gooseneck is accurately lined up with the centerline of the playing field.
10. Install a nut (Item 4A or 7A) on each side of the threaded rod in the slots and tighten all nuts securely to prevent movement of the post.

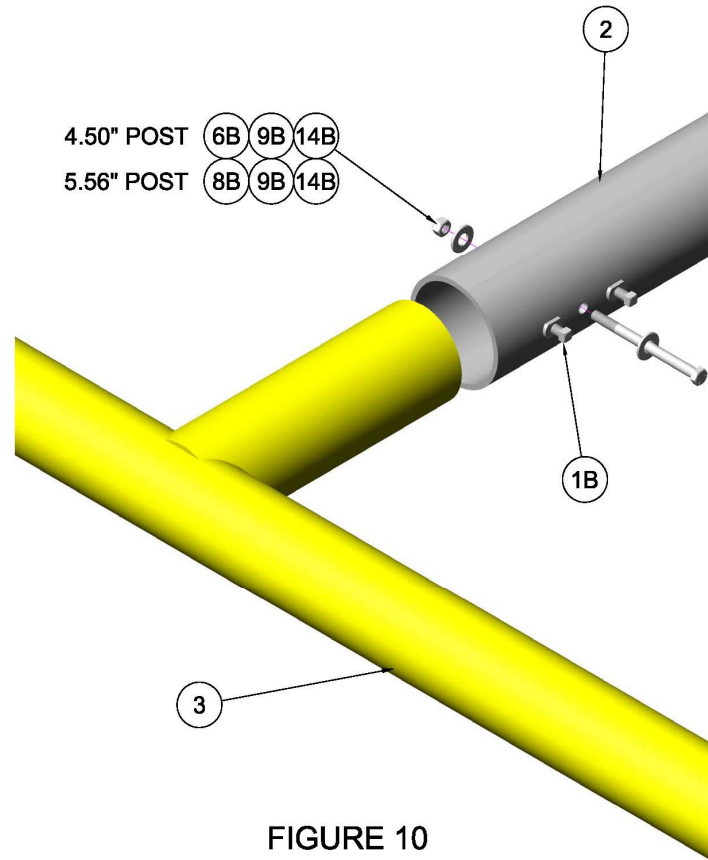


FIGURE 10

Crossbar Installation (Figure 10)

1. Make sure inside diameter of post is clean and free of burrs.
2. Raise crossbar (Item 3) to the post making sure it is supported on each end.
3. Slide the crossbar stub into the post (Item 2) and push in approximately 12".
4. Drop a plumb bob from the front edge of the crossbar to the ground.
5. The front of the crossbar should be directly above the inside edge of the end zone end line.
6. Move the crossbar in or out of the post until the plumb bob is lined up correctly on the end zone end line.
7. Place a level on the cross bar and rotate the crossbar in the post until it is level.
8. Install the two setscrews (Item 1B) and tighten securely.
9. Recheck crossbar for level and recheck alignment to the end zone end line.
10. Using the hole on the post as a guide, drill a 17/32" hole through the crossbar stub.

FGP801 Football Goal Posts

11. Install the ½” bolt (Item 6B or 8B) with a flat washers (Item 9B) and secure with a ½” locknut (Item 14B).
12. Tighten the locknut securely and retighten both setscrews.

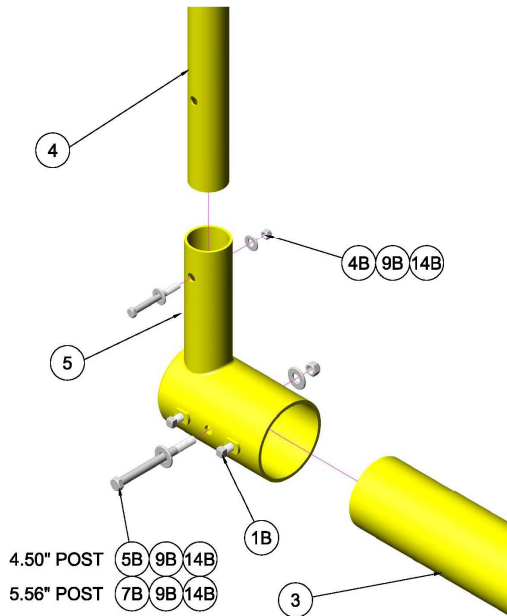


FIGURE 11

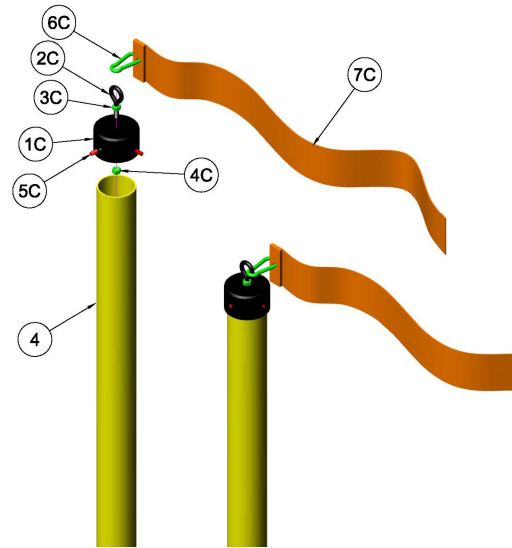


FIGURE 12

Upright Installation (Figure 11)

1. On the ground, install the upright mounting bracket (Item 5) onto the upright (Item 4).
2. Insert the ½” bolt (Item 4B) with flat washers (Item 9B) through the bracket and upright and secure with a ½” locknut (Item 14B).
3. Raise the upright (bracket end) to the level of the crossbar and slide the bracket onto the crossbar (Item 3).
4. Make sure the upright mounting bracket is pushed onto the crossbar completely.
5. Rotate the upright to the vertical position and snug the two setscrews (Item 1B) in the bracket.
6. Using a level, adjust the upright for plumb.
7. When the upright is plumb, tighten both setscrews securely.
8. Using the hole in the bracket as a guide, drill a 17/32” hole through the crossbar.
9. Install the ½” bolt (Item 5B or 7B) with a flat washers (Item 9B) and secure with a ½” locknut (Item 14B).
10. Tighten the locknut securely and retighten both setscrews.
11. Repeat the process for the other upright.

Wind Flag Installation (Figure 12)

1. Install the 5/16” nut (Item 3C) onto the eyebolt (Item 2C).



FGP801 Football Goal Posts

2. Insert the eyebolt into the end cap (Item 1C) and secure with the 5/16" locknut (Item 4C).
3. Slide the end cap onto the upright and install and tighten the setscrews (Item 5C).
4. Install the snap link through the eyebolt.
5. Attach the wind flag onto the snap link.

Maintenance

- 1) General inspection of equipment when used should be performed to ensure no catastrophic failures have occurred during the course of use between yearly inspections.
- 2) It is recommended that yearly inspections be conducted to determine if any bolts or other hardware has become worn or loosened.
- 3) During yearly inspections, check all joints to make sure they are tight and secure. Check the wind flags for general condition and wear.
- 4) Any loose bolts or nuts should be tightened.
- 5) Replace any components that are missing or worn.



Gared Holdings, LLC

Performance Sports Systems
9200 E. 146th Street
Noblesville, IN 46060

800-848-8034
www.perfsports.com

Gared Sports
707 North 2nd Street
St. Louis, MO 63102

800-325-2682
www.garedsports.com