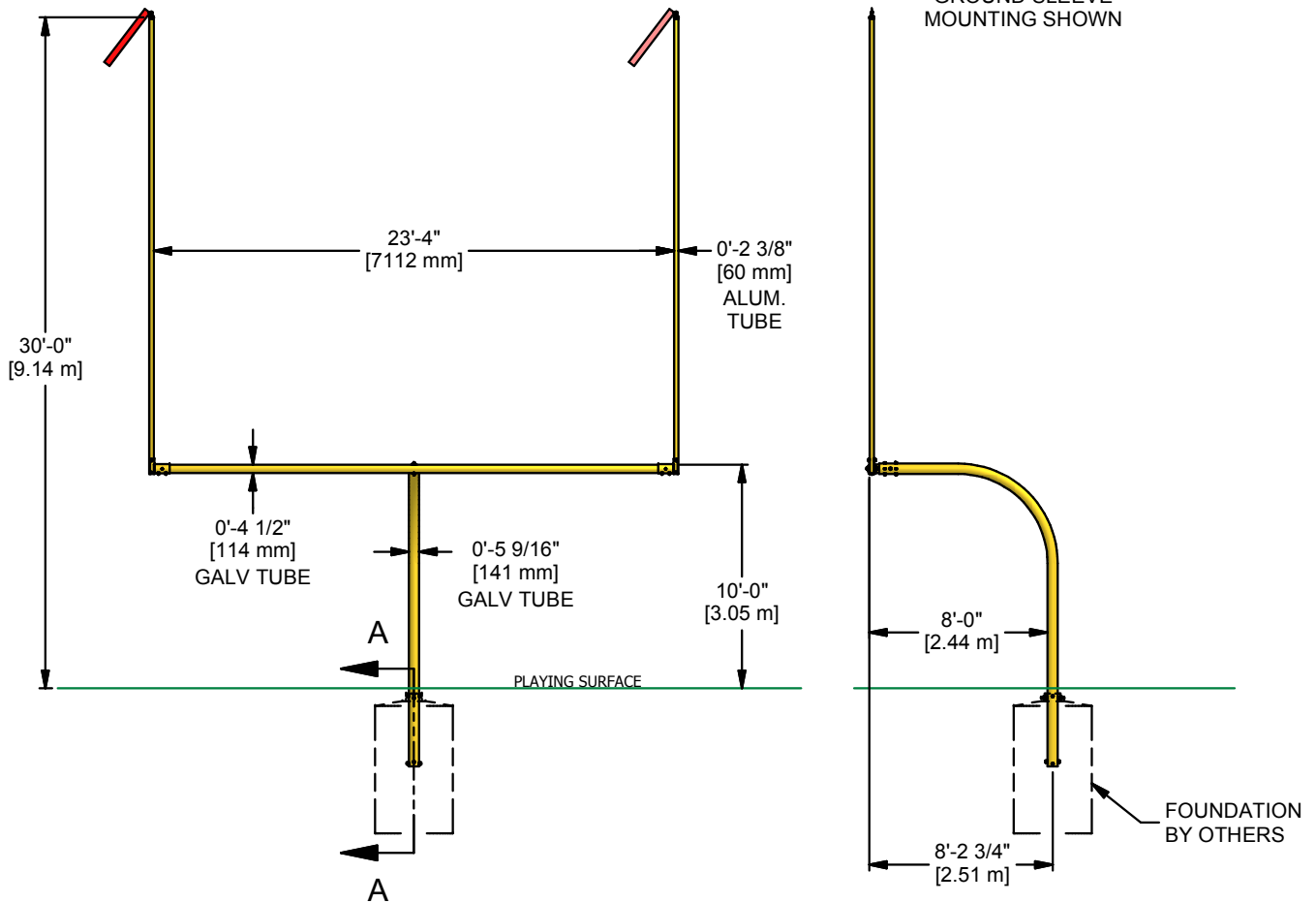
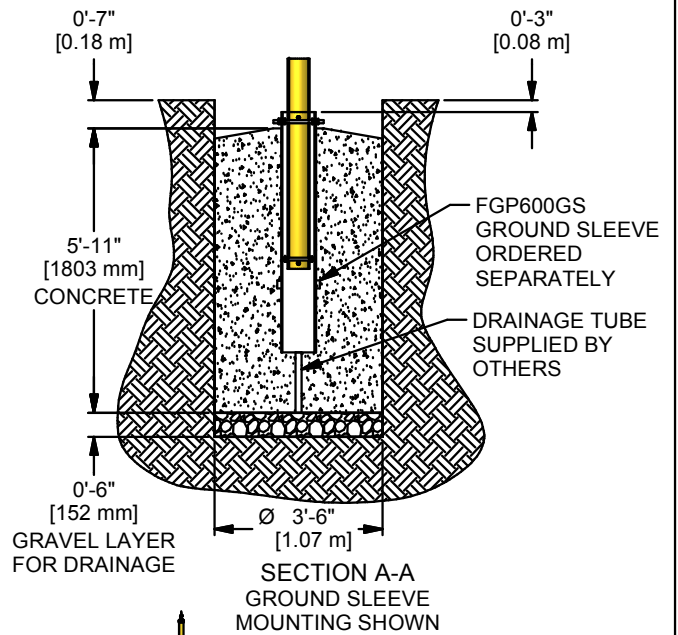


NOTES:

- 1) CENTER OF HOLE TO BE 8'-2 3/4" FROM END LINE OF FIELD.
- 2) POST TO BE INSTALLED 8'-0" FROM END LINE OF FIELD.
- 3) THREADED ROD INSTALLED IN POST PREVENTS GOAL POST ROTATION IN CONCRETE.
- 4) CROSSBAR RETAINS LEVEL BY SET SCREWS AND LOCKING BOLT.
- 5) GOOSENECK, CROSSBAR, AND UPRIGHTS CAN BE FURNISHED IN EITHER WHITE OR YELLOW POWDER COAT FINISH. CUSTOMER TO SPECIFY COLOR AT TIME OF ORDER.
- 6) STANDARD UNIT CAN BE USED WITH GROUND SLEEVE KIT FOR SEMI-PERMANENT INSTALLATION. GROUND SLEEVE KIT ORDERED SEPARATELY.
- 7) FGP801S IS ONE PAIR OF GOALS.



B	WDC	10-06-14
REV	BY	DATE




Gared Holdings, LLC
9200 E. 146th St. Noblesville, IN 46060

THIS DOCUMENT CONTAINS TRADE SECRET AND OTHER MATERIALS WHICH ARE PROTECTED BY CONFIDENTIALITY NOTICE AND AGREEMENT AND BY COPYRIGHT. ANY USE OR COPYING OF THIS DOCUMENT EXCEPT AS AUTHORIZED BY GARED HOLDINGS, LLC IS STRICTLY PROHIBITED.

F'BALL GOAL, 5 9/16, HS, 8 ft, GALVANIZED

DRAWN	CROSBY	DATE	10/3/2014	DATE ISSUED
APPROVED		DATE		

FILE LOC. Q:\Inventor Files\Specification Files\06_Outdoor Products

SIZE	SCALE	SHT. NO.	PART NO.	REV
A	NONE	1 OF 2	FGP801S	B



MODEL FGP801S

HIGH SCHOOL FOOTBALL GOAL POST 8' OFFSET PERMANENT AND SEMI-PERMANENT

This unit uses a gooseneck design to meet all NFSHSA specs. Goal measures 30' high with a 8' offset. Crossbar measures 23'-4" between uprights. Gooseneck post is 5 9/16" O.D. powder coated over galvanized steel. Crossbar is 4 1/2" O.D powder coated over galvanized steel. Uprights are 2 3/8" O.D. schedule 40 aluminum tubing with powder coated finish. Uprights measure 20' above crossbar. Wind flags are included.

Unit shall be designed for permanent installation. Upright to be installed with a concrete footing approximately 42" in diameter and 60" deep. Post shall extend approximately 42" into concrete footing.

Semi-permanent installation can be achieved with the use of optional ground sleeves. Ground sleeves shall be installed in concrete footing as described in specification FGP600GS.

Concrete for installation not included.

Colors are selected by specifying one of the part numbers listed below on the order.

FGP801S	Galvanized gooseneck, crossbar and upright
FGP801SW	White gooseneck, crossbar and upright
FGP801SY	Yellow gooseneck, crossbar and upright

Optional Equipment

FGP600GS	Ground sleeves for semi-permanent installation.
GSPPAD4	Protective post pad for posts up to 6" O.D.

Protective pads are 6' high for installation around post areas where body contact may occur. Constructed of high density urethane foam covered with 18 oz. mildew resistant and UV resistant coated vinyl. Available in the following colors: red, white, green, yellow, royal blue, black, purple, orange, and gray.