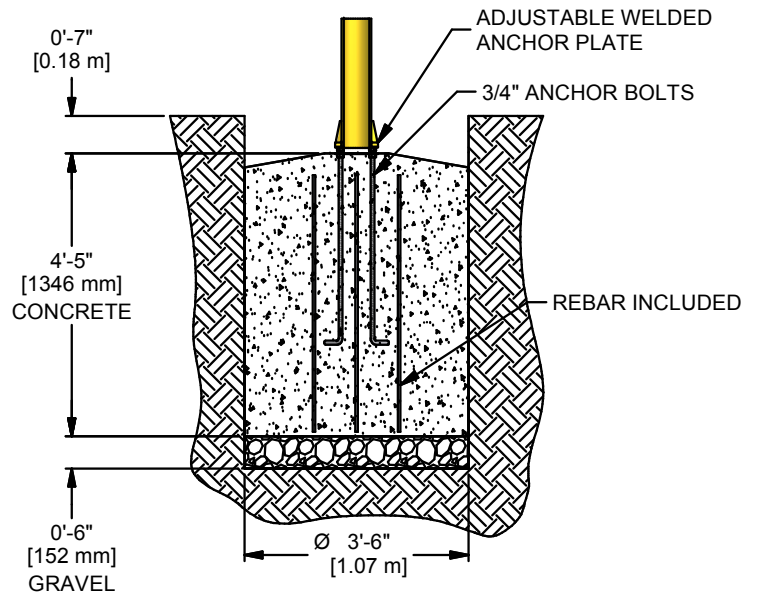
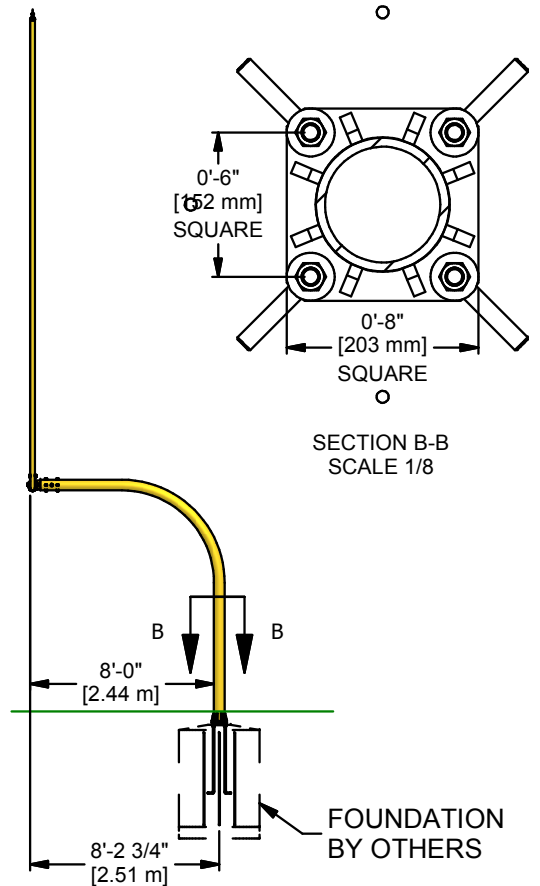
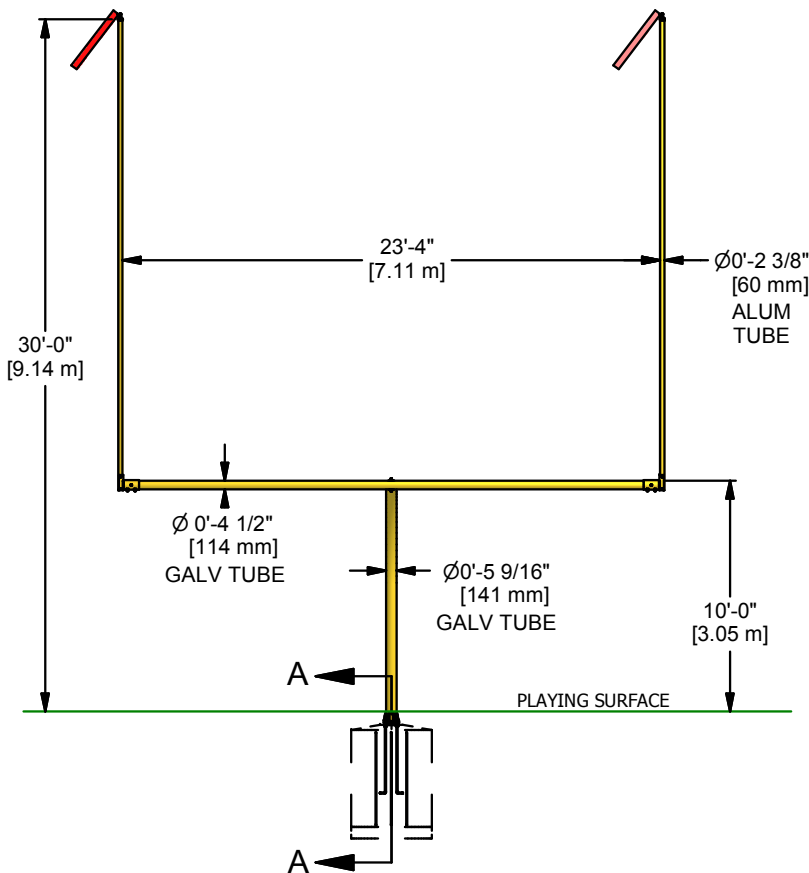


NOTES:

- 1) CENTER OF HOLE TO BE 8'-2 3/4" FROM END LINE OF FIELD.
- 2) POST TO BE INSTALLED 8'-0" FROM END LINE OF FIELD.
- 3) GOOSENECK POST CAN BE LEVELED USING NUTS ON 3/4" ANCHOR BOLTS.
- 4) CROSSBAR RETAINS LEVEL BY SET SCREWS AND LOCKING BOLT.
- 5) GOOSENECK POST, CROSSBAR, AND UPRIGHTS CAN BE FURNISHED IN EITHER WHITE OR YELLOW POWDER COAT FINISH. CUSTOMER TO SPECIFY COLOR AT TIME OF ORDER.
- 6) FGP801P IS ONE PAIR OF GOALS.



SECTION A-A



SECTION B-B
SCALE 1/8

REV	BY	DATE



Gared Holdings, LLC
9200 E. 146th St. Noblesville, IN 46060

THIS DOCUMENT CONTAINS TRADE SECRET AND OTHER MATERIALS WHICH ARE PROTECTED BY CONFIDENTIALITY NOTICE AND AGREEMENT AND BY COPYRIGHT. ANY USE OR COPYING OF THIS DOCUMENT EXCEPT AS AUTHORIZED BY GARED HOLDINGS, LLC IS STRICTLY PROHIBITED.

F'BALL GOAL, 5 9/16, HS, PLATE MNT.

DRAWN	CROSBY	DATE	10/3/2014	DATE ISSUED
APPROVED		DATE		

FILE LOC. Q:\Inventor Files\Specification Files\06_Outdoor Products

SIZE	SCALE	SHT. NO.	PART NO.	REV
A	NONE	1 OF 2	FGP801P	-



MODEL FGP801P

HIGH SCHOOL FOOTBALL GOAL POST 8' OFFSET Permanent Adjustable Plate Mounting

This unit uses a gooseneck design to meet all NFSHSA specs. Goal measures 30' high with a 6' offset. Crossbar measures 23'-4" between uprights. Gooseneck post is 5 9/16" O.D. powder coated over galvanized steel. Crossbar is 4 1/2" O.D powder coated over galvanized steel. Uprights are 2 3/8" O.D schedule 40 aluminum with powder coated finish. Uprights measure 20' above crossbar. Wind flags are included.

Unit shall be designed for permanent installation. Upright mounting anchors to be installed in a concrete footing approximately 42" in diameter and 60" deep. Post shall mount with the use of four 3/4" diameter threaded anchors through the lower post plate.

This model goal post is not compatible with ground sleeves.

Concrete for installation not included.

Colors are selected by specifying one of the part numbers listed below on the order.

FGP801P	Galvanized plate mount gooseneck, crossbar
FGP801PW	White plate mount gooseneck, crossbar and upright
FGP801PY	Yellow plate mount gooseneck, crossbar and upright

Optional Equipment

GSPPAD4	Protective post pad for posts up to 6" O.D.
---------	---

Protective pads are 6' high for installation around post areas where body contact may occur. Constructed of high density urethane foam covered with 18 oz. mildew resistant and UV resistant coated vinyl. Available in the following colors: red, white, green, yellow, royal blue, black, purple, orange, and gray.