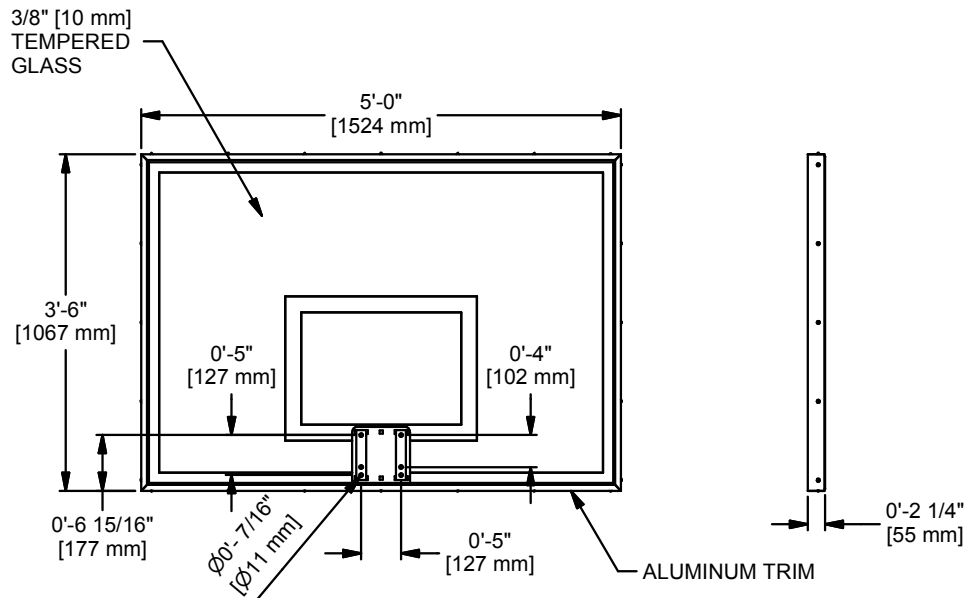


REAR VIEW



FRONT VIEW

THIS DOCUMENT CONTAINS TRADE SECRET AND OTHER MATERIALS WHICH ARE PROTECTED BY CONFIDENTIALITY NOTICE AND AGREEMENT AND BY COPYRIGHT. ANY USE OR COPYING OF THIS DOCUMENT EXCEPT AS AUTHORIZED BY GARED HOLDINGS, LLC IS STRICTLY PROHIBITED.

60" X 42" X 3/8" GLASS BACKBOARD

DRAWN CROSBY DATE 7/25/2019 DATE ISSUED

APPROVED DATE

FILE LOC. Q:\Inventor Files\Specification Files\07_Backboards

SIZE A	SCALE	SHT. NO. 1 OF 2	PART NO. BB60G38	REV B
-----------	-------	--------------------	---------------------	----------



Gared Holdings, LLC
9200 E. 146th St. Noblesville, IN 46060

B	WDC	07-25-19
REV	BY	DATE



MODEL BB60G38

STEEL FRAME 60" X 42" RECTANGULAR GLASS BACKBOARD

Backboard shall be constructed of a unitized welded tubular frame utilizing heavy wall $\frac{3}{4}$ " x 1.5" rectangular steel tubing. Frame shall include two vertical struts on 18 inch centers with holes for mounting to support structure. Design shall provide a reinforced goal mounting area to allow for direct mounting of goal, board, and structure. Direct mounting design shall have integral holes to allow permanent attachment of board to post and allow for goal replacement without removing the board.

Backboard shall be designed for use with residential adjustable units, gooseneck posts, and straight arm posts.

Glass shall be $\frac{3}{8}$ " [10 mm] in thickness and fully tempered with white target lines permanently fused onto the surface. Goal mounting holes shall be on standard 5" horizontal and 4" or 5" vertical centers.

Board frame shall be powder coated separately with a flat black weather resistant finish before being assembled.

GOALS

See Goal-Board Matrix specification sheet for goal compatibility.

Subject to design change and current manufacturing practices.