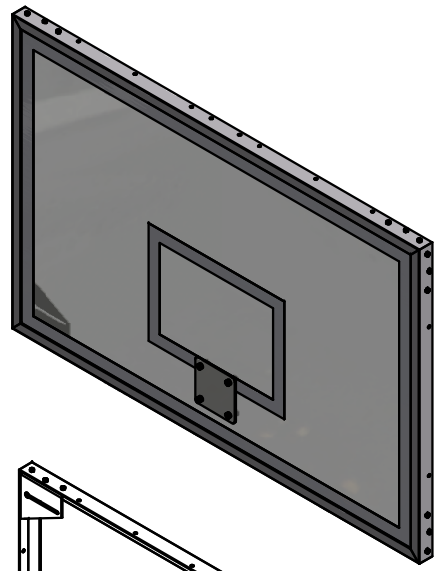
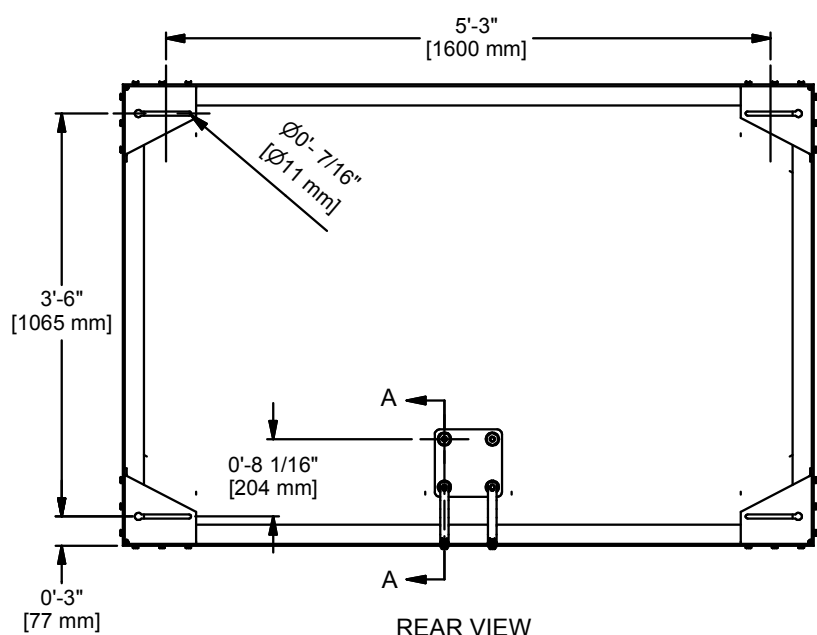
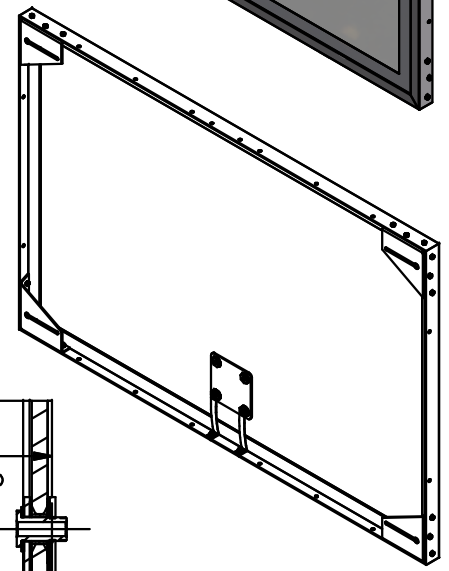


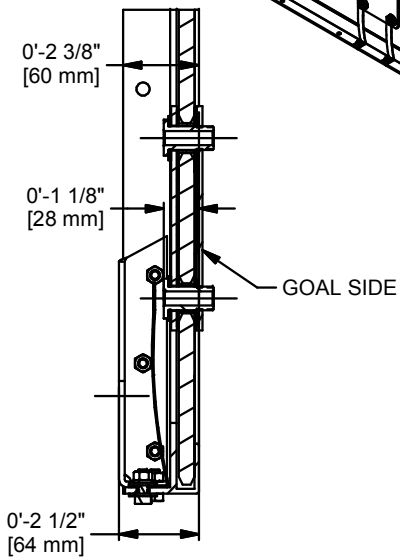
FRONT VIEW



SIDE VIEW



REAR VIEW



SECTION A-A

MATERIAL IS 1/2" THICK TEMPERED GLASS WITH ALUMINUM FRAME.  
 FINISH IS GRAY POWDER COAT ON STEEL BRACKETS AND PLATES..

C	WDC	07-30-19
REV	BY	DATE

Gared Holdings, LLC  
 9200 E. 146th St. Noblesville, IN 46060

THIS DOCUMENT CONTAINS TRADE SECRET AND OTHER MATERIALS WHICH ARE PROTECTED BY CONFIDENTIALITY NOTICE AND AGREEMENT AND BY COPYRIGHT. ANY USE OR COPYING OF THIS DOCUMENT EXCEPT AS AUTHORIZED BY GARED HOLDINGS, LLC IS STRICTLY PROHIBITED.

ALUM FRAMED RECT GLASS BOARD, 48" X 72"

DRAWN	CROSBY	DATE	7/30/2019	DATE ISSUED
APPROVED		DATE		

FILE LOC.

SIZE	SCALE	SHT. NO.	PART NO.	REV
A		1 OF 2	AFRG48	C



## **MODEL AFRG48**

### **ALUMINUM FRAME 72" X 48" RECTANGULAR GLASS BACKBOARD**

The AFRG48 backboard shall be fabricated with an aluminum frame constructed of 0.200" thick extruded "F" channel with steel corner brackets. All steel components shall be powder coated with a durable gray finish. Aluminum-capped frame will not be acceptable. Manufacturer of backboard shall have over ten years experience. Backboard shall meet NCAA and high school requirements.

Glass shall be ½" in thickness and fully tempered with white border and target lines permanently fused onto the surface. 12mm glass will not be considered equal to ½" glass, with a nominal thickness range of .485" to .515", and will not be used as a substitute for full ½" glass. Vinyl shock absorbing material insulates the glass from the frame. Goal mounting holes shall be on standard 5" horizontal and 5" vertical centers. Acrylic cushioning pad shall be used between steel mounting plate and glass to protect against possible breakage.

#### **ACCESSORIES**

#### **GOALS**

See Goal-Board Matrix specification sheet for goal compatibility.

Subject to design change and current manufacturing practices.