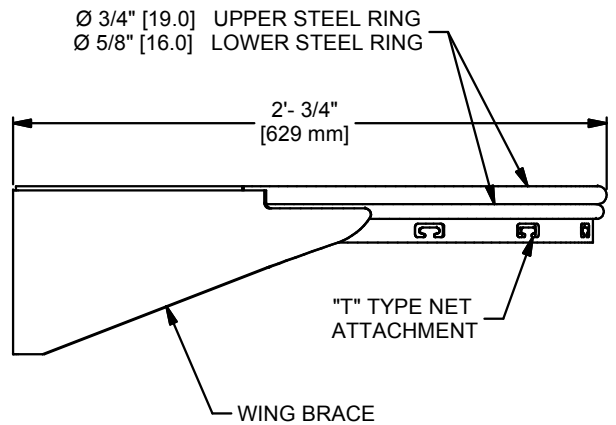
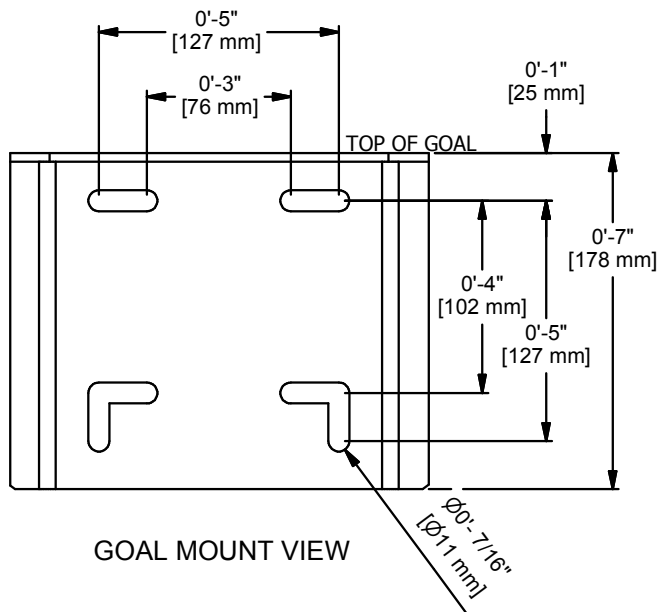
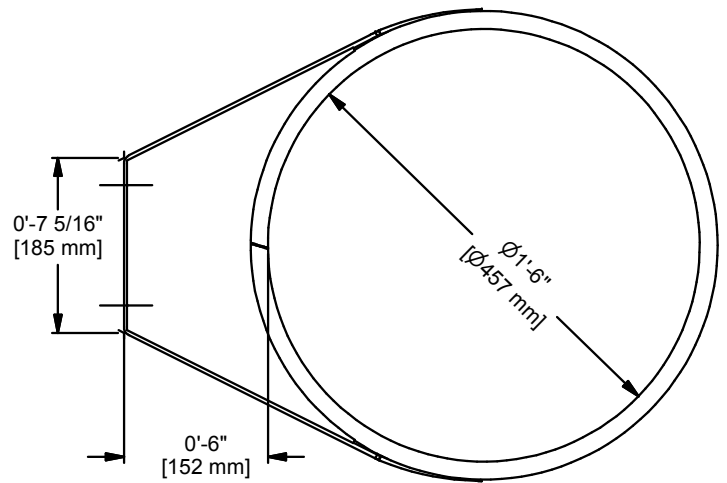


FINISH IS OFFICIAL ORANGE POWDER COAT

GOAL IS SUPPLIED WITH NYLON NET AND MOUNTING HARDWARE

SHIPPING WEIGHT 30 LB [13.6 Kg]



B	WDC	10-02-19
REV	BY	DATE




Gared Holdings, LLC
9200 E. 146th St. Noblesville, IN 46060

THIS DOCUMENT CONTAINS TRADE SECRET AND OTHER MATERIALS WHICH ARE PROTECTED BY CONFIDENTIALITY NOTICE AND AGREEMENT AND BY COPYRIGHT. ANY USE OR COPYING OF THIS DOCUMENT EXCEPT AS AUTHORIZED BY GARED HOLDINGS, LLC IS STRICTLY PROHIBITED.

ENDURANCE SLAM GOAL, FRT MNT, DBL RING

DRAWN	CROSBY	DATE	10/2/2019	DATE ISSUED
APPROVED		DATE		

FILE LOC. Q:\Inventor Files\Specification Files\08_Goals

SIZE	SCALE	SHT. NO.	PART NO.	REV
A	NONE	1 OF 2	8550	B



MODEL 8550

ENDURANCE SLAM FRONT MOUNT GOAL

The 8550 goal shall be constructed with an official sized 18" ring of 3/4" diameter with an additional support ring of 5/8" diameter. Goal ring shall be made with high carbon/manganese materials for high strength. A continuous no-tie ring with twelve T type net holders shall be welded to the lower support ring. Back plate shall be 3/16" thick and 8" wide x 7" long. Brace shall be 3/16" thick fully welded to the goal ring and back plate. An additional 3/16" thick stiffener plate is added in the center of the back plate for added strength.

Goal shall have a durable orange powder coated finish and come complete with nylon net and zinc plated mounting hardware. Universal goal mounting plate will fit hole patterns for most 42", 48", and fan-shaped backboards.

ACCESSORIES

BACKBOARDS

See Goal-Board Matrix specification sheet for board compatibility.

Subject to design change and current manufacturing practices.