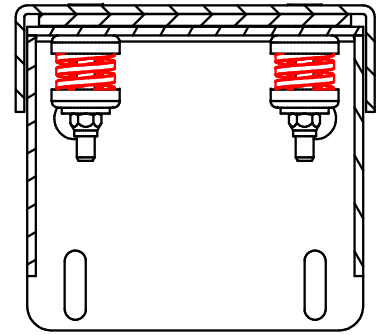


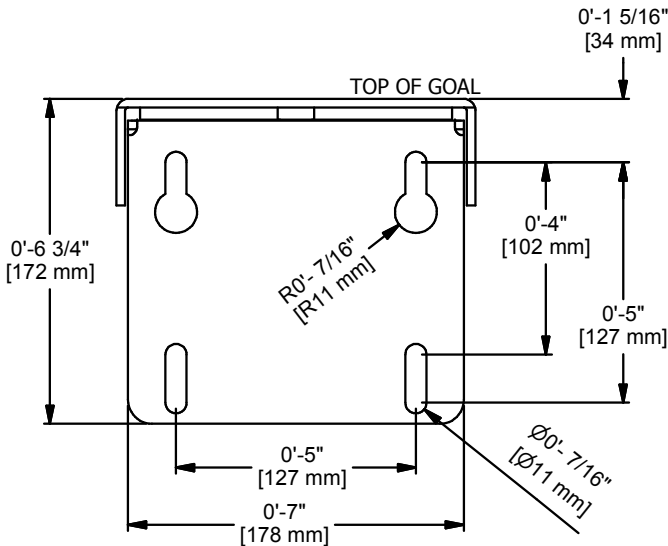
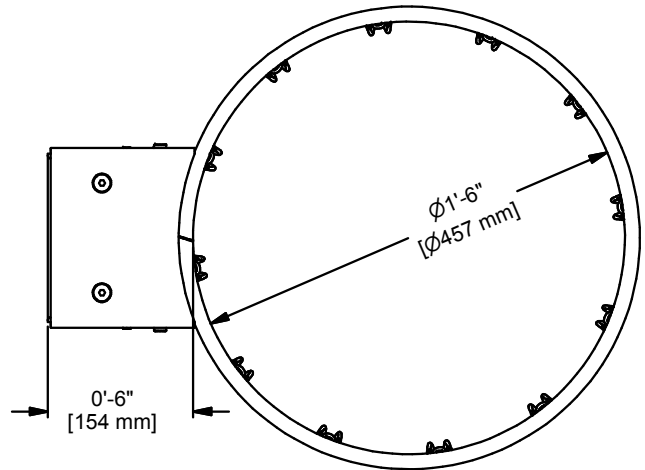
FULL WRAP WING BRACE



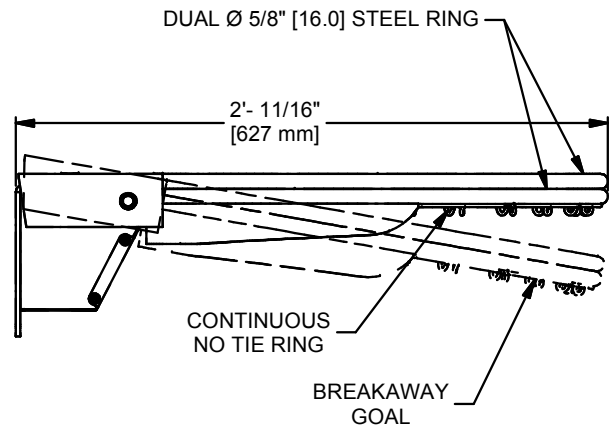
DUAL RETURN SPRINGS

FINISH IS OFFICIAL ORANGE POWDER COAT

GOAL IS SUPPLIED WITH ANTI-WHIP NYLON NET AND MOUNTING HARDWARE



MOUNTING PLATE VIEW



DUAL Ø 5/8" [16.0] STEEL RING

CONTINUOUS NO TIE RING

BREAKAWAY GOAL

C	WDC	10-02-19
REV	BY	DATE




Gared Holdings, LLC  
9200 E. 146th St. Noblesville, IN 46060

THIS DOCUMENT CONTAINS TRADE SECRET AND OTHER MATERIALS WHICH ARE PROTECTED BY CONFIDENTIALITY NOTICE AND AGREEMENT AND BY COPYRIGHT. ANY USE OR COPYING OF THIS DOCUMENT EXCEPT AS AUTHORIZED BY GARED HOLDINGS, LLC IS STRICTLY PROHIBITED.

**5500 DOUBLE RING BREAKAWAY GOAL**

DRAWN	CROSBY	DATE	10/2/2019	DATE ISSUED
APPROVED		DATE		
FILE LOC. Q:\Inventor Files\Specification Files\08_Goals				
SIZE	SCALE	SHT. NO.	PART NO.	REV
A	NONE	1 OF 2	5500	C



## MODEL 5500

### **PLAYGROUND DOUBLE RING BREAK-AWAY GOAL**

The 5500 goal shall be constructed with a unique stack spring construction for true rebound consistency. Goal shall double in degrees according to the applied pressure. Goal shall have an official sized 18" ring of 5/8" diameter steel and shall be supported by a continuous welded wraparound brace. Goal shall meet NCAA and high school requirements.

Goal shall have a continuous no tie net attachment and orange powder coated finish. Nylon net and hardware shall be included. Universal goal mounting plate will fit hole patterns for most 42" and 48" rectangular backboards and most fan-shaped backboards.

#### **ACCESSORIES**

#### **BACKBOARDS**

See Goal-Board Matrix specification sheet for board compatibility.

Subject to design change and current manufacturing practices.