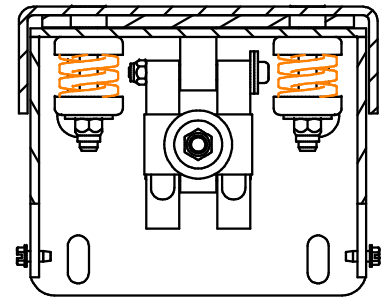


POSITIVE LOCK
DETENT MECHANISM



DUAL RETURN SPRINGS

NOTES:

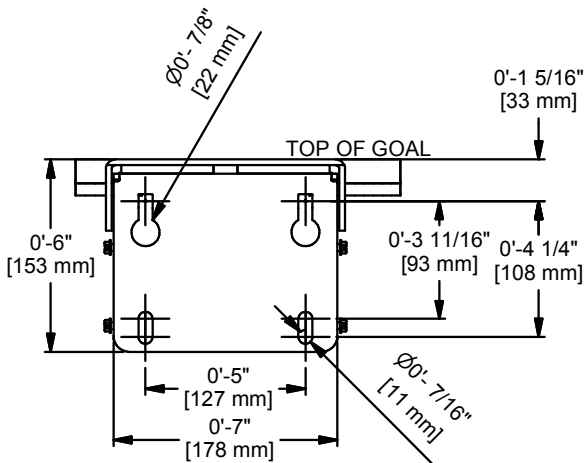
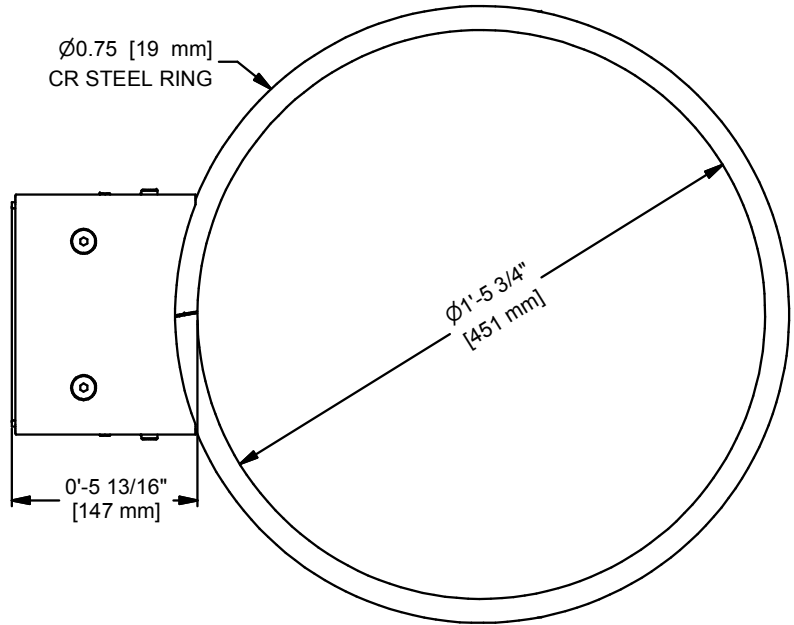
OFFICIAL ORANGE POWDER COAT FINISH.

GOAL IS SUPPLIED WITH ANTI-WHIP NYLON NET AND 3/8-16 MOUNTING HARDWARE.

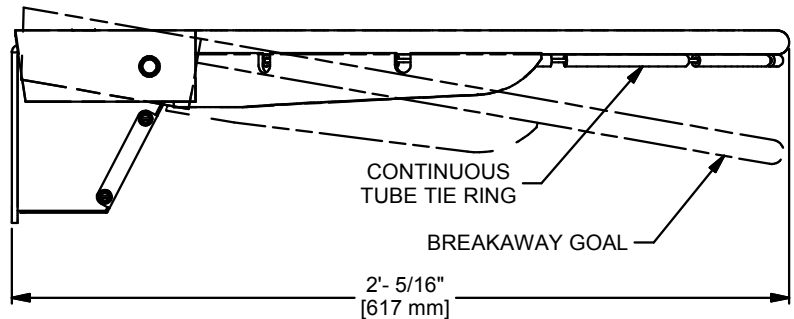
GOAL IS FACTORY SET TO BREAKAWAY AT A 180-200 lb [82-91 kg] FORCE AND AUTOMATICALLY RETURNS WHEN LOAD IS RELEASE.

25 lbs [11.4 kg] SHIPPING WEIGHT.

Ø0.75 [19 mm]
CR STEEL RING



MOUNTING PLATE



CONTINUOUS
TUBE TIE RING

BREAKAWAY GOAL

THIS DOCUMENT CONTAINS TRADE SECRET AND OTHER MATERIALS WHICH ARE PROTECTED BY CONFIDENTIALITY NOTICE AND AGREEMENT AND BY COPYRIGHT. ANY USE OR COPYING OF THIS DOCUMENT EXCEPT AS AUTHORIZED BY GARED HOLDINGS, LLC IS STRICTLY PROHIBITED.

INT'L MASTER GOAL, BREAKAWAY POSITIVE LOCK

DRAWN CROSBY DATE 6/10/2015 DATE ISSUED

APPROVED DATE

FILE LOC. Q:\Inventor Files\Specification Files\08_Goals

SIZE A	SCALE	SHT. NO. 1 OF 2	PART NO. 3500I	REV B
------------------	-------	--------------------	--------------------------	-----------------



Gared Holdings, LLC
9200 E. 146th St. Noblesville, IN 46060

B	WDC	08-13-19
A	WDC	05-10-15
REV	BY	DATE



MODEL 3500I

INTERNATIONAL POSITIVE LOCK BREAK-AWAY GOAL

The 3500I goal shall be constructed with an enclosed positive lock mechanism which will automatically return to the locked position after a trip. Goal shall be factory set to 180-200 lbs [82-91 kg] breakaway force. Goal shall be designed so that any possible entrapment areas have been eliminated. Goal shall have an official FIBA size 17.75" [451 mm] ring of 3/4" [19 mm] diameter steel with tube tie net attachment and a durable orange powder coated finish. Anti-whip net and hardware shall be included. Universal back plate shall accommodate most 42" rectangular and fan shape backboards. Goal shall meet FIBA specifications for Level 1 competition..

ACCESSORIES

BACKBOARDS

See Goal-Board Matrix specification sheet for board compatibility.