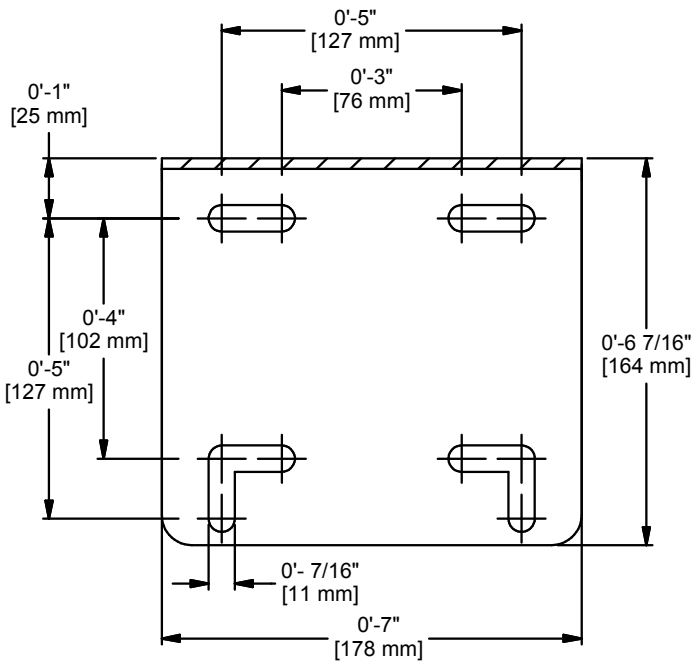
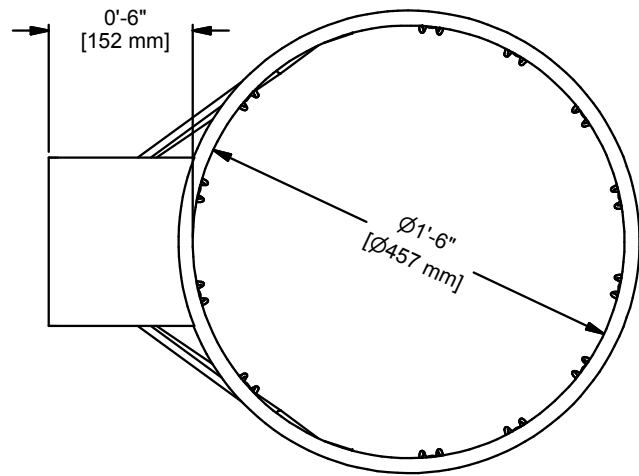


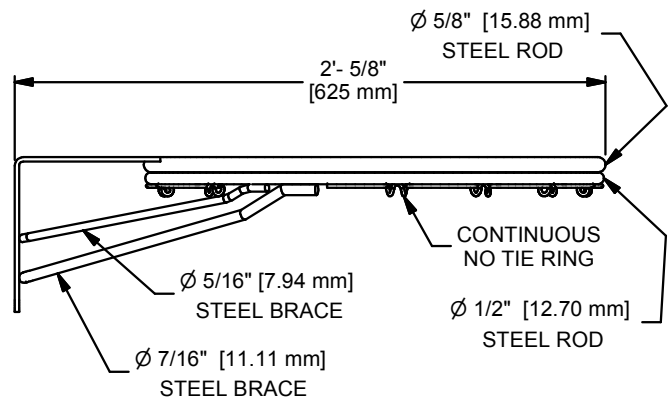
FINISH IS OFFICIAL ORANGE POWDER COAT

GOAL IS SUPPLIED WITH NYLON NET AND MOUNTING HARDWARE

SHIPPING WEIGHT 18 LB [8.2 Kg]



SECTION A-A  
MOUNTING PLATE VIEW



C	JJC	11/17/17
B	RWP	04/21/08
A	WAE	12/20/06
REV	BY	DATE




Gared Holdings, LLC  
9200 E. 146th St. Noblesville, IN 46060

THIS DOCUMENT CONTAINS TRADE SECRET AND OTHER MATERIALS WHICH ARE PROTECTED BY CONFIDENTIALITY NOTICE AND AGREEMENT AND BY COPYRIGHT. ANY USE OR COPYING OF THIS DOCUMENT EXCEPT AS AUTHORIZED BY GARED HOLDINGS, LLC IS STRICTLY PROHIBITED.

**SUPER GOAL, FRONT MOUNT STATIONARY**

DRAWN CONNERLEY	DATE 12/4/2003	DATE ISSUED
APPROVED	DATE	

FILE LOC. Q:\Inventor Files\Specification Files\08\_Goals

SIZE <b>A</b>	SCALE NONE	SHT. NO. 1 OF 2	PART NO. <b>240</b>	REV <b>C</b>
------------------	---------------	--------------------	------------------------	-----------------



## **MODEL 240**

### **PARK AND RECREATION FIXED SUPER GOAL**

The 240 goal shall be constructed with an official sized 18" double ring of 5/8" and 1/2" diameter steel with no-tie net attachment. A 6 1/2" x 7" back plate shall accommodate most 42" and 48" rectangular and fan-shape backboards. Brace shall be 7/16" diameter all welded construction.

Goal shall have a durable orange powder coated finish and come complete with nylon net and hardware.

#### **ACCESSORIES**

#### **BACKBOARDS**

See Goal-Board Matrix specification sheet for board compatibility.

Subject to design change and current manufacturing practices.