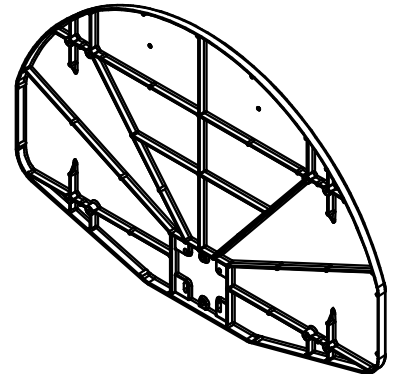
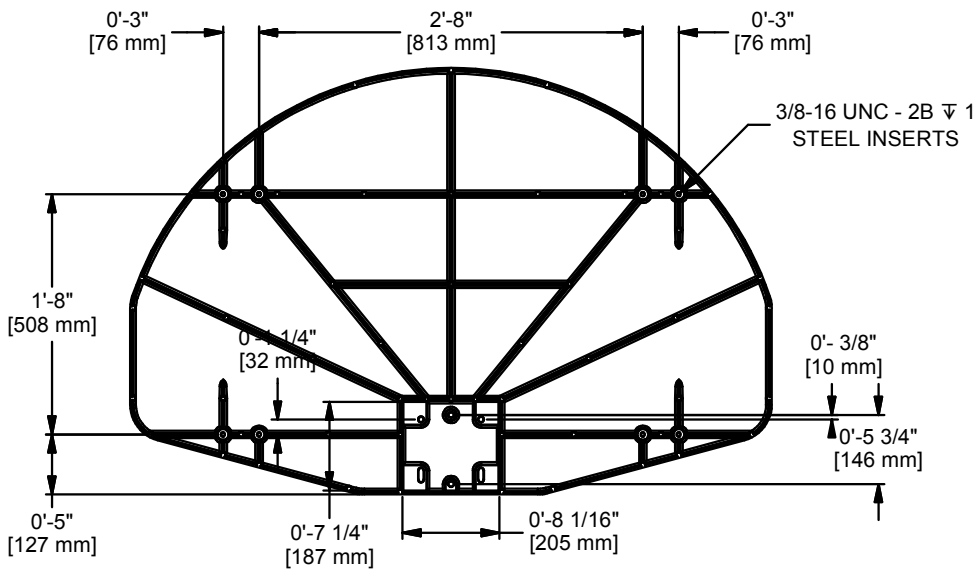
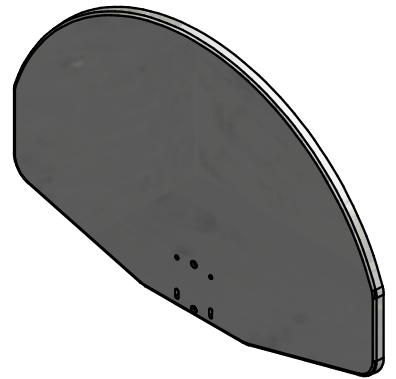


SECTION A-A



REV	BY	DATE



Gared Holdings, LLC
9200 E. 146th St. Noblesville, IN 46060

THIS DOCUMENT CONTAINS TRADE SECRET AND OTHER MATERIALS WHICH ARE PROTECTED BY CONFIDENTIALITY NOTICE AND AGREEMENT AND BY COPYRIGHT. ANY USE OR COPYING OF THIS DOCUMENT EXCEPT AS AUTHORIZED BY GARED HOLDINGS, LLC IS STRICTLY PROHIBITED.

FAN-SHAPED ALUM BACKBOARD, WHITE

DRAWN	CROSBY	DATE	3/27/2012	DATE ISSUED	3/27/2012
APPROVED		DATE			

FILE LOC. Q:\Inventor Files\Specification Files\07_Backboards

SIZE	SCALE	SHT. NO.	PART NO.	REV
A		1 OF 2	1750-001	



MODEL 1750

35-1/2" X 53 1/2" FAN SHAPED ALUMINUM BACKBOARD WITH WHITE POWDER COATED FINISH

The 1750 backboard shall be a one-piece permanent mold, 319 aluminum alloy casting with a 1-1/4" flange around outer edge. Backboard shall have eight mounting holes, which shall be reinforced with cast in-place threaded steel inserts for 3/8-16 bolts. 1/4" wide and 1" deep ribs deep ribs reinforce the board mounting inserts and the goal mounting holes.

Backboard shall have a 5" horizontal and a slotted vertical goal mounting holes to accommodate hole patterns from 5" vertical to 4.25 vertical.

FINISH

Backboard surface shall have a white powder coated finish.

ACCESSORIES

GOALS

See Goal-Board Matrix specification sheet for goal compatibility.

Subject to design change and current manufacturing practices.