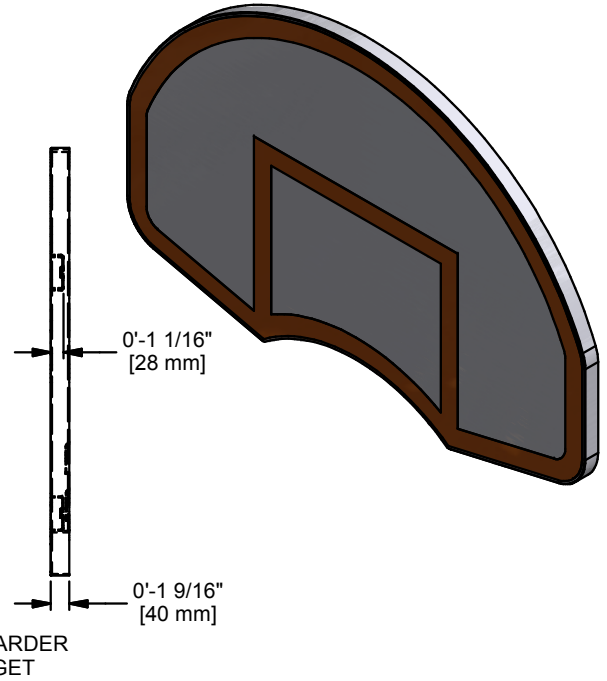
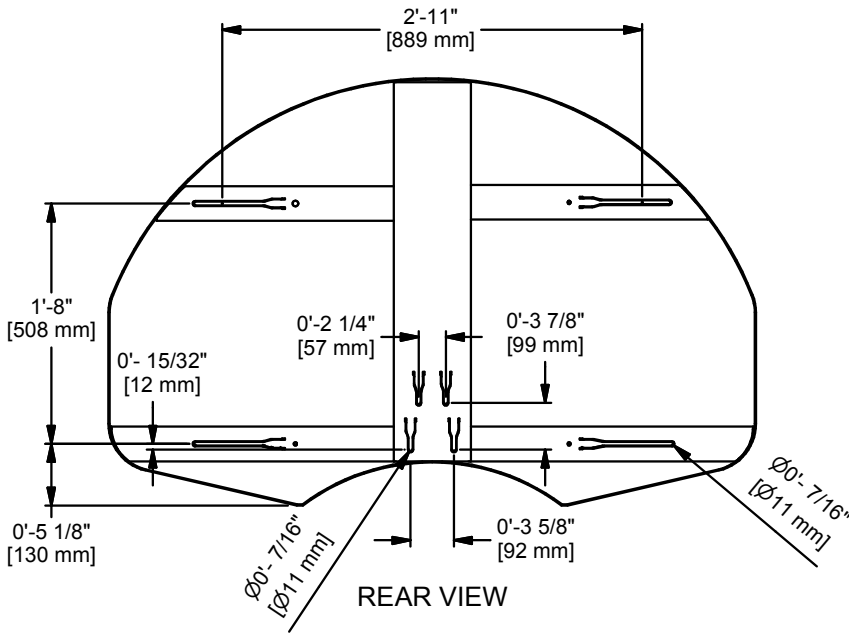


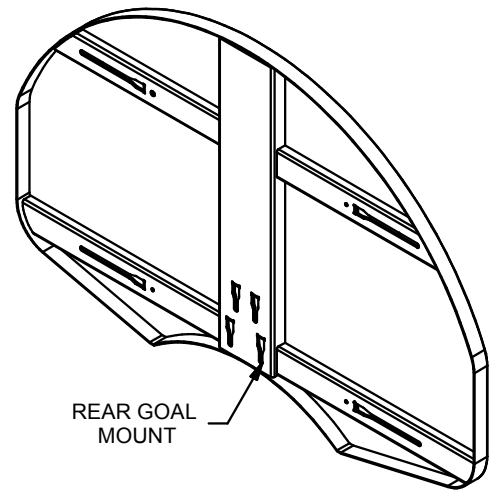
FRONT VIEW



ORANGE BORDER AND TARGET



REAR VIEW



REAR GOAL MOUNT

12 GA. STEEL STAMPED SHELL WITH 12 GA. FORMED MOUNTING AND STIFFENING CHANNELS WELDED TO REVERSE SIDE.

MOUNTING HOLES FOR 3/8" DIAMETER GOAL AND BOARD MOUNTING HARDWARE.

BOARD IS POWDER COATED GLOSS WHITE WITH ORANGE TARGET AND BORDER.

D	WDC	07-28-19
REV	BY	DATE



Gared Holdings, LLC
9200 E. 146th St. Noblesville, IN 46060

THIS DOCUMENT CONTAINS TRADE SECRET AND OTHER MATERIALS WHICH ARE PROTECTED BY CONFIDENTIALITY NOTICE AND AGREEMENT AND BY COPYRIGHT. ANY USE OR COPYING OF THIS DOCUMENT EXCEPT AS AUTHORIZED BY GARED HOLDINGS, LLC IS STRICTLY PROHIBITED.

FAN STEEL REAR GOAL MOUNT BACKBOARD W/ BORDER

DRAWN	CROSBY	DATE	7/29/2019	DATE ISSUED
APPROVED		DATE		
FILE LOC. Q:\Inventor Files\Specification Files\07_Backboards				
SIZE	SCALE	SHT. NO.	PART NO.	REV
A		1 OF 2	1266B	D



MODEL 1266B

35" X 54" FAN SHAPED STEEL BACKBOARD FOR REAR MOUNT GOALS

1266B backboard shall be formed from a single piece of heavy gauge steel and reinforced with a heavy gauge vertical center channel and heavy gauge horizontal channels. All reinforcing sections shall be welded to the shell to make a single vibration free unit. Key-slots in the horizontal channels shall be spaced at 20" vertical and 35" horizontal centers to match the standard fan mounting dimensions. Backboard shall be phosphate pre-treated and shall have a durable white powder coat finish to protect against weathering. Orange border and target shall be silk-screened on face of backboard for permanent markings. Goal mounting holes in rear channel shall be standard reverse mount pattern and shall accept reverse mount goals.

ACCESSORIES

GOALS

See Goal-Board Matrix specification sheet for goal compatibility.

Subject to design change and current manufacturing practices.