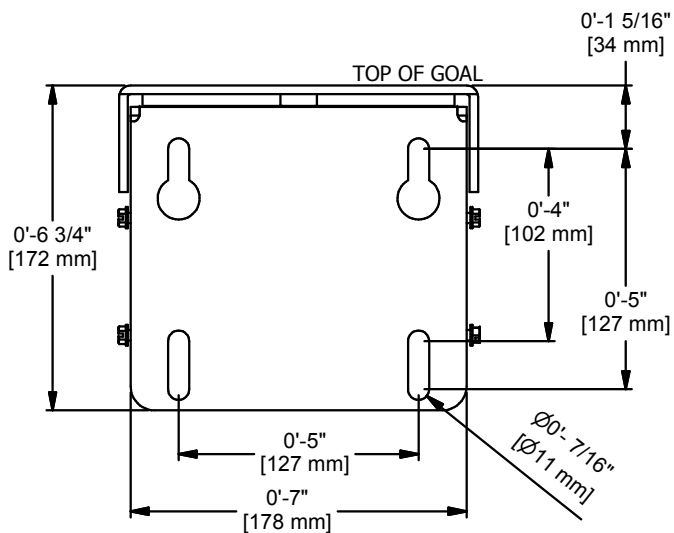
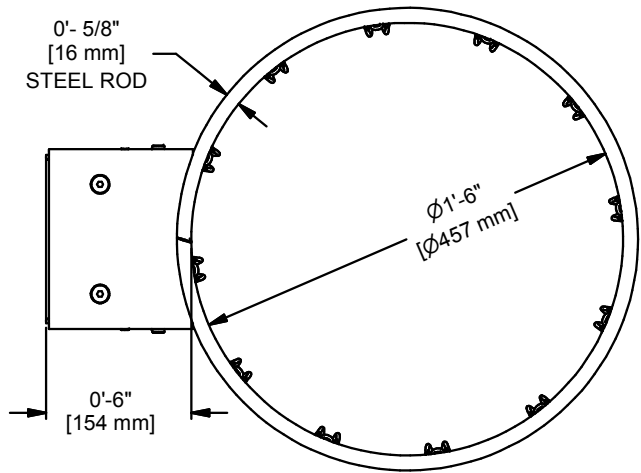


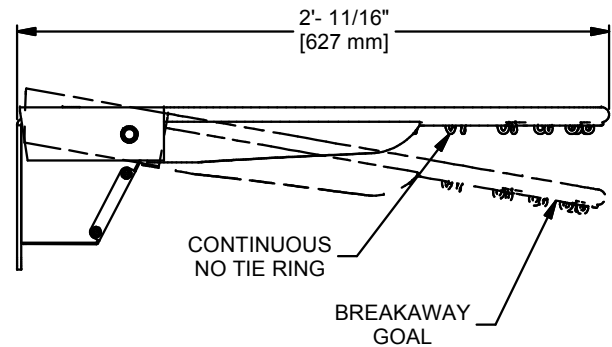
DUAL RETURN SPRINGS

FINISH IS OFFICIAL ORANGE POWDER COAT

GOAL IS SUPPLIED WITH ANTI-WHIP NYLON NET AND MOUNTING HARDWARE



MOUNTING PLATE VIEW



E	WDC	08-12-19
REV	BY	DATE



Gared Holdings, LLC  
9200 E. 146th St. Noblesville, IN 46060

THIS DOCUMENT CONTAINS TRADE SECRET AND OTHER MATERIALS WHICH ARE PROTECTED BY CONFIDENTIALITY NOTICE AND AGREEMENT AND BY COPYRIGHT. ANY USE OR COPYING OF THIS DOCUMENT EXCEPT AS AUTHORIZED BY GARED HOLDINGS, LLC IS STRICTLY PROHIBITED.

1000 SCHOLASTIC BREAKAWAY GOAL

DRAWN	CROSBY	DATE	8/12/2019	DATE ISSUED
APPROVED		DATE		

FILE LOC. Q:\Inventor Files\Specification Files\08\_Goals

SIZE	SCALE	SHT. NO.	PART NO.	REV
A	NONE	1 OF 2	1000	E



## **MODEL 1000**

### **STANDARD BREAK-AWAY GOAL**

The 1000 goal shall be constructed with a balanced two spring design. Goal shall deflect in degrees according to the applied pressure. Goal shall have an official sized 18" ring of 5/8" diameter steel and shall be supported by a continuous welded wrap around brace. Goal shall meet NCAA and high school requirements.

Goal shall have a continuous no tie ring and orange powder coated finish. Anti-whip net and hardware shall be included. Universal goal mounting plate will fit the hole pattern for most 42" and 48" rectangular backboards and most fan-shaped backboards.

#### **ACCESSORIES**

#### **BACKBOARDS**

See Goal-Board Matrix specification sheet for board compatibility.

Subject to design change and current manufacturing practices.