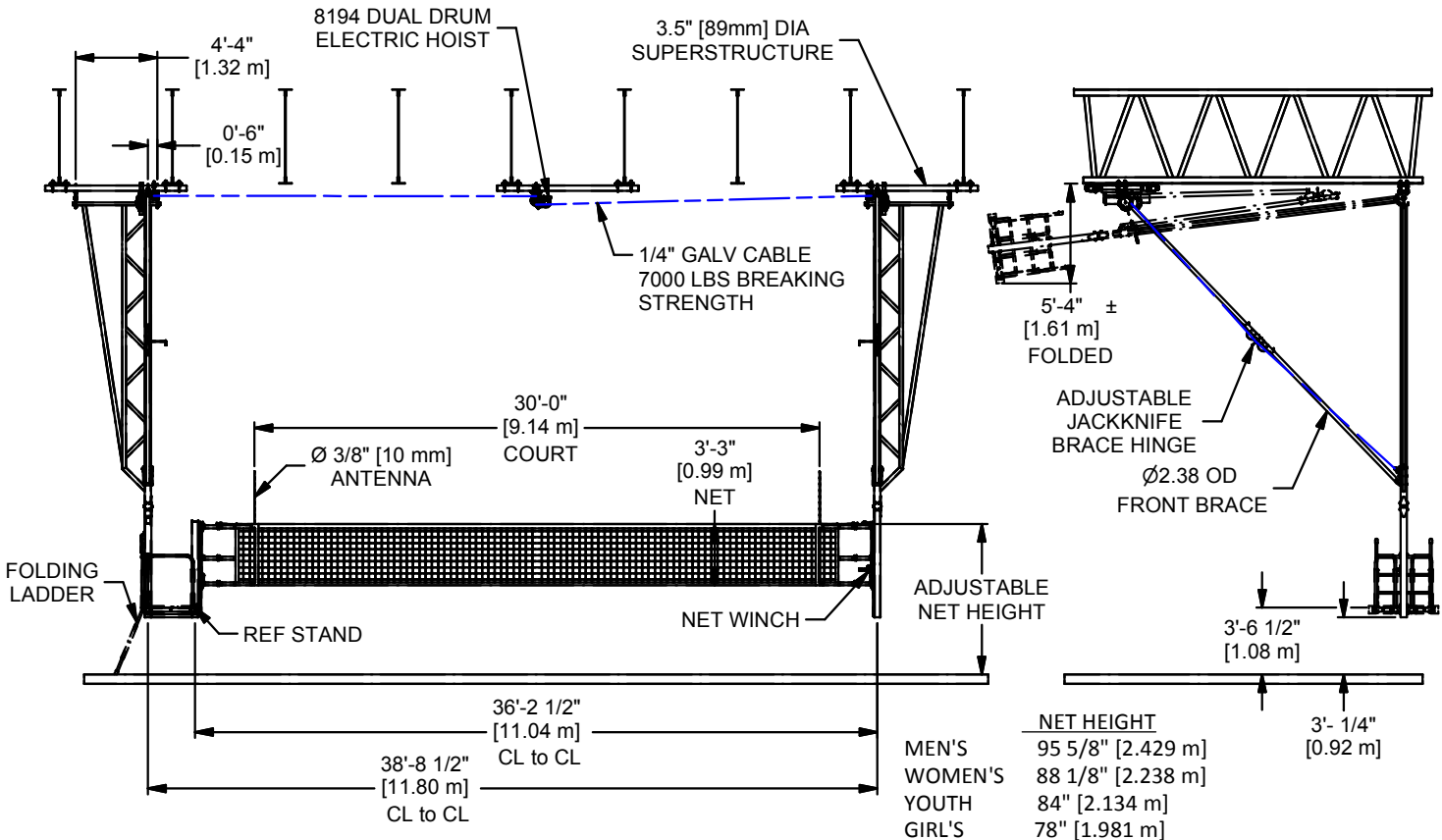
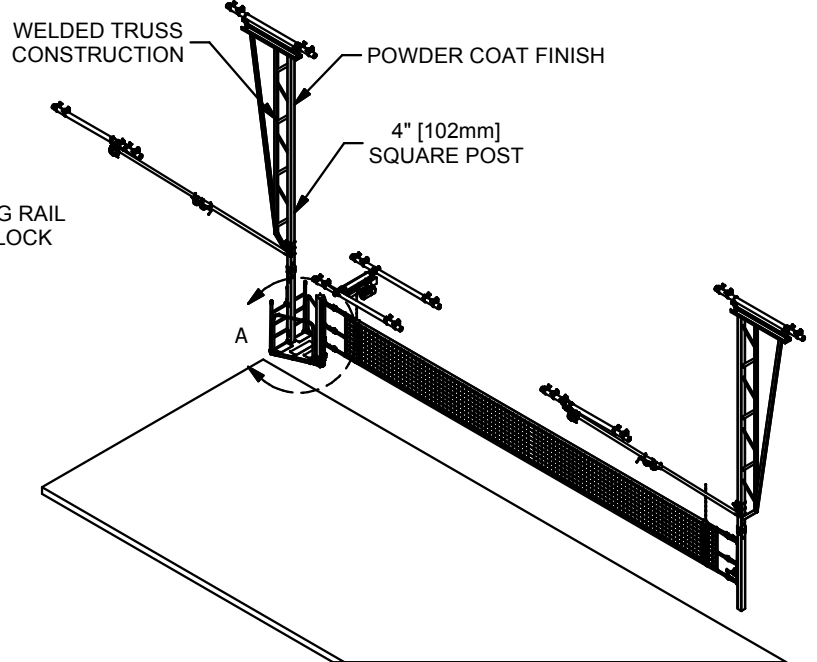


DETAIL A



REV	BY	DATE

PSS
PERFORMANCE
SPORTS SYSTEMS

G
GARED

Gared Holdings, LLC
9200 E. 146th St. Noblesville, IN 46060

THIS DOCUMENT CONTAINS TRADE SECRET AND OTHER MATERIALS WHICH ARE PROTECTED BY CONFIDENTIALITY NOTICE AND AGREEMENT AND BY COPYRIGHT. ANY USE OR COPYING OF THIS DOCUMENT EXCEPT AS AUTHORIZED BY GARED HOLDINGS, LLC IS STRICTLY PROHIBITED.

SUSPENDED VOLLEYBALL SYSTEM W/REF STAND

DRAWN	CROSBY	DATE	6/24/2019	DATE ISSUED
APPROVED		DATE		

FILE LOC. Q:\Inventor Files\Specification Files\11_Volleyball\

SIZE	SCALE	SHT. NO.	PART NO.	REV
A		1 OF 2	8101R	



MODEL 8101R

CEILING SUSPENDED VOLLEYBALL SYSTEM WITH INTEGRAL REFEREE STAND

RECOMMENDED APPLICATION

Top quality unit for use in facilities where frequent volleyball court set-up is required. Meets all grade school, middle school, YMCA, club, USVBA, NFHS, and NCAA requirements for competitive play.

FRAMES

System will be comprised of two vertical frame members hinged at the truss connection point to allow the system (net, frames, padding, antenna, ref stand, etc.) to fold as a single unit. Frames shall be 4" square heavy wall tubing. Frames shall be laterally braced by means welded truss bridge and a 1 1/2" x 2 1/2" rectangular sway brace. Frames shall be folded to the stored position by means of a 3/4 hp, dual drum electric winch model 8194. A folding brace shall lock the frames in a playing position and be of a jackknife design with an adjustable hinge for easy installation and field adjustment. The frames will provide net attachment rails that have infinite net height adjustment between 8'-0" to 6'-6" to meet age group height settings for men, women, youth and girls.

REFEREE STAND

The referee stand is included as an integral piece of the system. The stand may be placed at either end of the net during installation. The stand is positioned inside of the frame and helps support the net load. Referee shall enter platform from side away from court. Referee stand padding is provided.

NET TENSIONER (WINCH)

The net tensioner shall incorporate a heavy duty, self-locking ratchet mechanism with a positive compression clutch brake type release. A high tensile nylon strap will be used with the winch to achieve required net tension.

NET

Net features include 5/8" diameter fiberglass dowel and 4" square black nylon mesh (250-lbs tensile strength) for excellent performance and durability. Free floating net along a 5/32" [4.0 mm] diameter steel 7 x 19 cable (2,000-lbs. Minimum breaking strength) allows for quick and easy centering of net about the court lines. Nylon straps with metal clips are used to secure net in place. Net shall be 32' length and 39" width. Net perimeter shall have a 2" wide vinyl coated polyester hem that is double stitched. Net meets or exceeds all requirements for most levels of competition.

UPRIGHT PADS

Upright safety pads shall be one single piece, protecting 78" in height above floor. Padding shall be constructed with 2" thick cross-linked polyethylene closed cell foam covered with 14-ounce nylon reinforced vinyl. Attachment to uprights shall be with Velcro® straps. Standard Colors are: white, yellow, orange, red, kelly green, forest green, royal blue, marine blue, navy blue, gray, black, maroon, beige, and purple.

NET ANTENNA AND TAPE

Net antenna shall be 3/8" diameter fiberglass rods 72" long with alternating red and white bands. Net tape shall be white nylon reinforced vinyl 2 1/2" wide with full-length pocket to accept the antenna. Attachment to net shall be full-length quick action Velcro® closures.

Subject to design change and current manufacturing practices.

©2012 Gared Holdings, LLC