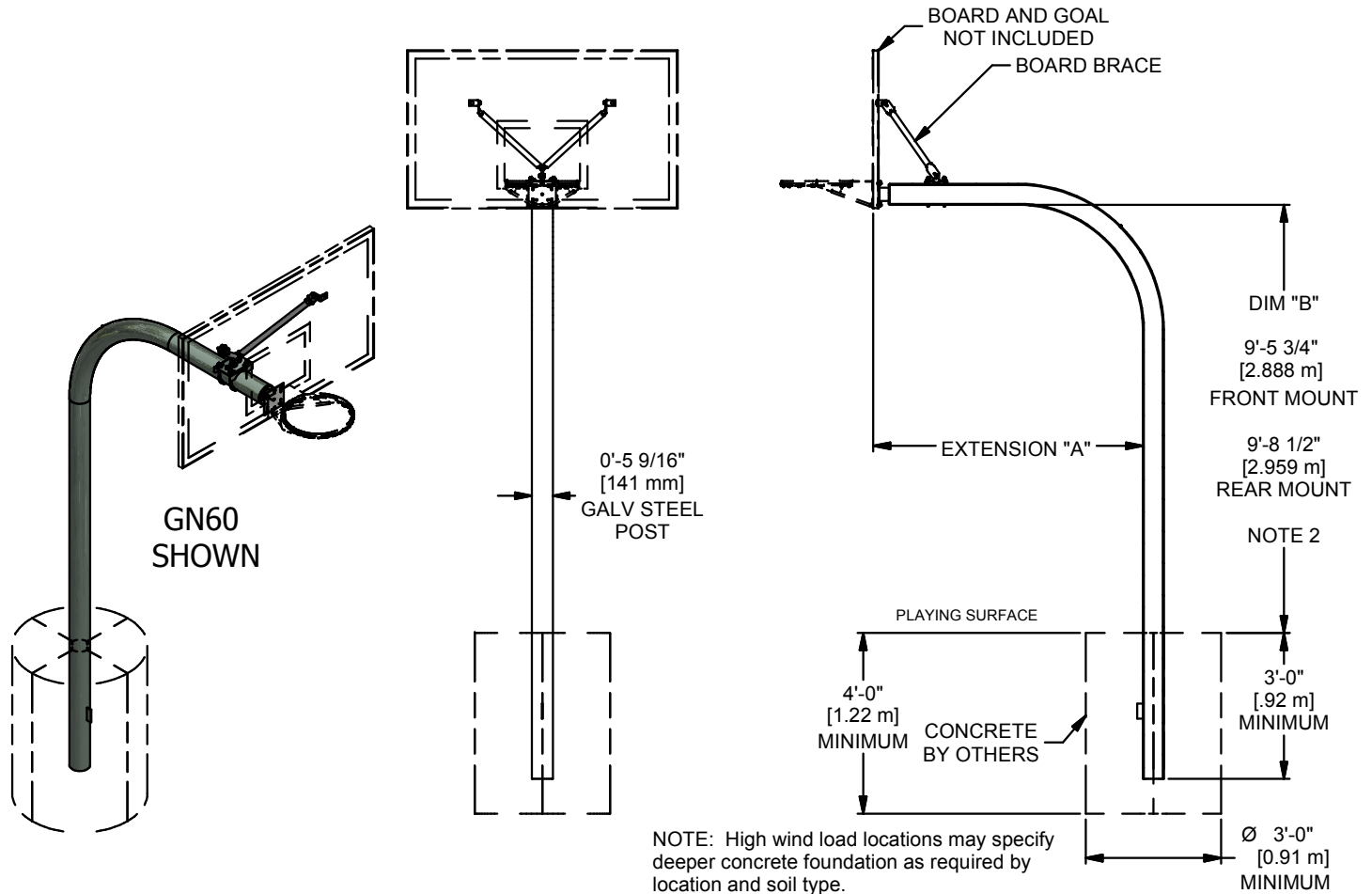


NOTES:

1. Dimension "A" is from front surface of post to front face of backboard. Dimension may vary with board selection.
2. Dimension "B" is from underside of post arm surface to the playing surface.
3. This gooseneck system mounts boards with fan type mounting only. Other parts will be required for BB series boards.

Model	Mount	Extension "A"	
GN60-4	front	4'-0"	1.219 m
GN60-5	front	5'-0"	1.524 m
GN60	front	6'-0"	1.829 m
GN60R	rear	6'-0"	1.829 m



D	WDC	05-10-19
C	WDC	02-22-19
B	WDC	09-11-17
A	JJC	05/14/2010
REV	BY	DATE

PSS
PERFORMANCE
SPORTS SYSTEMS

G
GARED™

Gared Holdings, LLC
9200 E. 146th St. Noblesville, IN 46060

THIS DOCUMENT CONTAINS TRADE SECRET AND OTHER MATERIALS WHICH ARE PROTECTED BY CONFIDENTIALITY NOTICE AND AGREEMENT AND BY COPYRIGHT. ANY USE OR COPYING OF THIS DOCUMENT EXCEPT AS AUTHORIZED BY GARED HOLDINGS, LLC IS STRICTLY PROHIBITED.

5 9/16 BRACED GOOSENECK SYSTEM, 6 FT EXT.

DRAWN CONNERLEY	DATE 6/3/2008	DATE ISSUED
APPROVED CONNERLEY	DATE 6/3/2008	

FILE LOC. Q:\Inventor Files\Specification Files\06_Outdoor Products

SIZE A	SCALE NONE	SHT. NO. 1 OF 2	PART NO. GN60	REV D
-----------	---------------	--------------------	------------------	----------



MODEL GN60 & GN60R

GOOSENECK OUTDOOR BASKETBALL SYSTEM W/ BRACES

Model	Mount	Extension "A"	
GN60-4	front	4'-0"	1.219 m
GN60-5	front	5'-0"	1.524 m
GN60	front	6'-0"	1.829 m
GN60R	rear	6'-0"	1.829 m

The GN60 systems can be used with all outdoor front, fan type mount and the GN60R system with rear mount boards and goals. Mounting of BB series boards will required additional parts.

This unit uses a gooseneck design to extend the backboard out from the post. The post shall be 5 9/16" O.D. schedule 40 (0.258") wall, ASTM500 grade B tubing. It shall have a hot dipped galvanized finish after welding. The mounting plate is used as a direct goal attachment for the backboard. Two braces extending from the upper mounting points of the backboard to the gooseneck extension provide added rigidity to the system.

Post shall extend into the concrete footing at least 36". Concrete footing shall be 36" minimum in diameter and 48" minimum deep. High wind load locations may specify deeper concrete foundation as required by location and soil type.

Concrete for installation not included.