

JUNIOR JAMMER INSTALLATION INSTRUCTIONS

REV	BY	DATE
A	MJP	4/11/2019

Installation and Assembly Instructions



Gared Holdings, LLC
9200 E. 146th St.
Noblesville, IN 46060

JUNIOR JAMMER

FILE LOC	Q:\Inventor Files_xxxx-xx-xx\JJ1		REV
DATE	SHT. NO.	PART NO.	
3/14/2019	1 OF 6	JJ1_Install Manual	

NO.	DESCRIPTION	QTY.
1	BACKBOARD (1320B)	1
2	GOAL (28WO)	1
3	NET (PACKED WITH GOAL)	1
4	UPPER FRAME ASSEMBLY	1
5	LOWER FRAME CONNECTOR	1
6	UPPER FRAME CONNECTOR	1
7	HAND KNOB M12 X 20.5mm	2
8	HAND KNOB M12 X 40mm	2
9	HEX HEAD M8 X 70mm	4
10	HEX HEAD M8 X 60mm	2
11	M8 FLAT WASHER	14
12	M8 FLANGE NUT	10
13	CARRIAGE BOLT M8 X 60mm	4
14	BACKBOARD FRAME ASSEMBLY	1
15	JAM NUT M12	2

▲ WARNING
Do not install or use this unit when subject to the possibility of users hanging on the rim or Slam Dunking.
Hanging on the rim or Slam Dunking can cause the unit to fall resulting in damage to equipment and/or serious injury to personnel.

▲ WARNING
Hand knobs must safely secure the upper frame to the existing goal. The point of the hand knob **MUST** contact the goal beneath the welded support flange or goal rim in order to properly lock in place.
Failure to secure hand knobs in position could allow the unit to fall causing damage to equipment and/or serious injury to personnel.

▲ CAUTION
Do not install or use this unit on portable backstops that are NOT securely anchored to the floor.
Portable backstops that are not anchored to the floor can tip during play causing damage or injury to personnel.

This unit should be assembled and installed by adults. Once installed properly onto a permanent existing basketball goal, play should be supervised by an adult. Supervision of play is required to prevent players from hanging on the rim or slam dunking on the unit. Hanging on the rim or slam dunking can damage the unit and in extreme cases cause injury to personnel.

ASSEMBLY INSTRUCTIONS

One unit includes one backboard, one goal (with net), one upper framework, one lower framework, one hardware kit in three boxes. Check instructions and packing instructions to be certain no parts are missing.

- Using carriage bolts M8x60mm (13) and M8 flange nuts (12), assemble backboard frame assembly (14) to backboard (1).
- Assemble net (3) to goal (2), then assemble goal (2) to backboard (1) using hex head M8x70mm (9) on top two holes and hex head M8x60MM (10) on bottom two holes of goal with M8 flat washers (11) and M8 flange nuts (12) as shown in detail.
- Assemble upper frame connector (5) to upper frame assembly (4) using hex head M8x70mm (9), M8 flat washer (11) and M8 flange nut (12) as shown above. Install hand knob (7) on upper frame connector (6) and upper frame assembly (4) Secure upper frame assembly (4) in existing goal as shown in detail "E", fully tighten hand knob M12x40mm (8) and secure with jam nut M12 (15) on both sides.
- With the help of an assistant, place assembled unit onto upper frame assembly channel (4). Connect lower frame connector (5) to backboard frame assembly (14). Ensure lower frame connector (5) is engaged with upper frame connector (6) as shown in illustration, insert and tighten hand knob M12 x 20.5 mm (7).

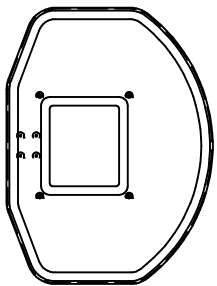
IMPORTANT NOTE: KEEP UPPER AND LOWER FRAME CONNECTORS (5) & (6) JOINED TO THE UPPER FRAME ASSEMBLY (4) AND CONNECT THIS ADJUSTABLE BRACE TO THE BACKBOARD FRAME ASSEMBLY (14). USE THE ADJUSTABLE BRACE TO PLUMB THE BACKBOARD AND LEVEL THE GOAL.

Installation and Assembly Instructions

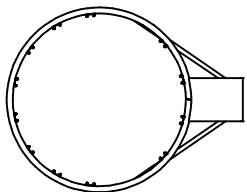


Gared Holdings, LLC
9200 E. 146th St.
Noblesville, IN 46060

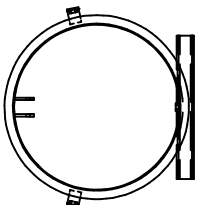
JUNIOR JAMMER			
FILE LOC	Q:\Inventor Files\xxxx-xx-xx\JJ1	PART NO.	
DATE	3/14/2019	SHT. NO.	2 OF 6
			JJ1_Install Manual
		REV	



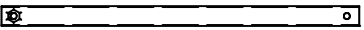
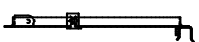
ITEM (1)
BACKBOARD
ONE EA.



ITEM (2) & (3)
GOAL AND NET
ONE EA.



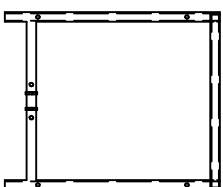
ITEM (4)
UPPER FRAME ASSEMBLY
ONE EA.



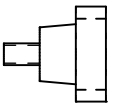
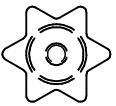
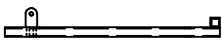
ITEM (5)
LOWER FRAME CONNECTOR
ONE EA.



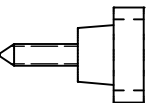
ITEM (6)
UPPER FRAME CONNECTOR
ONE EA.



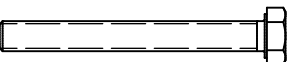
ITEM (14)
BACKBOARD FRAME ASSEMBLY
ONE EA.



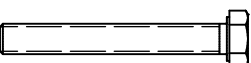
ITEM (7)
HAND KNOB M12 X 20.5 mm
TWO EA.



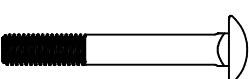
ITEM (8)
HAND KNOB M12 X 40mm
TWO EA.



ITEM (9)
HEX HEAD M8 X 70mm
FOUR EA.



ITEM (10)
HEX HEAD M8 X 60mm
TWO EA.



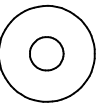
ITEM (13)
CARRIAGE BOLT M8 X 60mm
FOUR EA.



ITEM (12)
M8 FLANGE NUT
TEN EA.



ITEM (11)
M8 FLAT WASHER
FOURTEEN EA.



ITEM (15)
M12 JAM NUT
TWO EA.



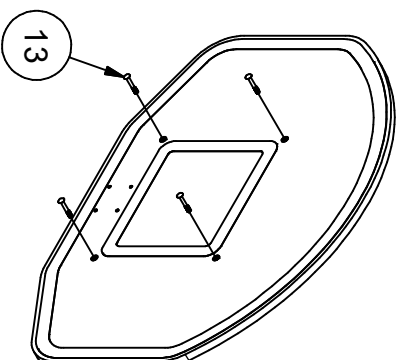
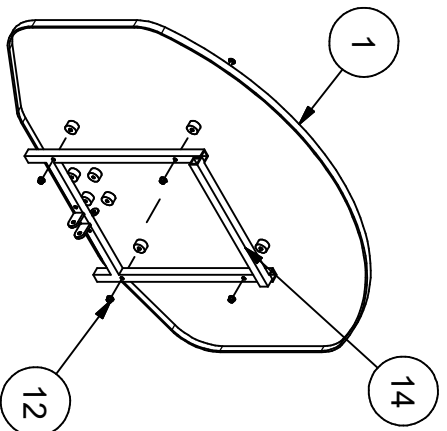
Installation and Assembly Instructions

JUNIOR JAMMER



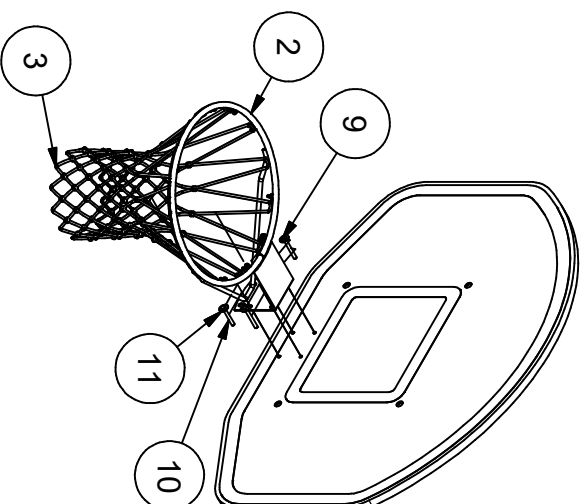
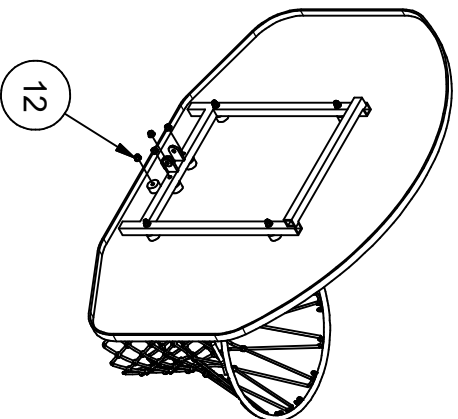
Gared Holdings, LLC
9200 E. 146th St.
Noblesville, IN 46060

FILE LOC Q:\Inventor Files_xxxx-xx-xx\J11			
DATE	SHT. NO.	PART NO.	REV
3/14/2019	3 OF 6	J11_Install Manual	



STEP ONE

Using carriage bolts M8x60mm (13) and M8 flange nuts (12), assemble backboard frame assembly (14) to backboard (1).



STEP TWO

Assemble net (3) to goal (2), then assemble goal (2) to backboard (1) using hex head M8x70mm (9) on top two holes and hex head M8x60MM (10) on bottom two holes of goal with M8 flat washers (11) and M8 flange nuts (12) as shown in detail.

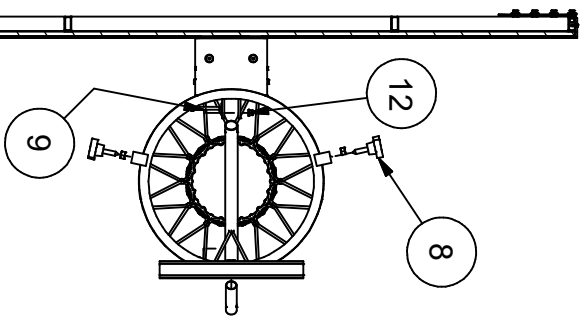
Installation and Assembly Instructions

JUNIOR JAMMER

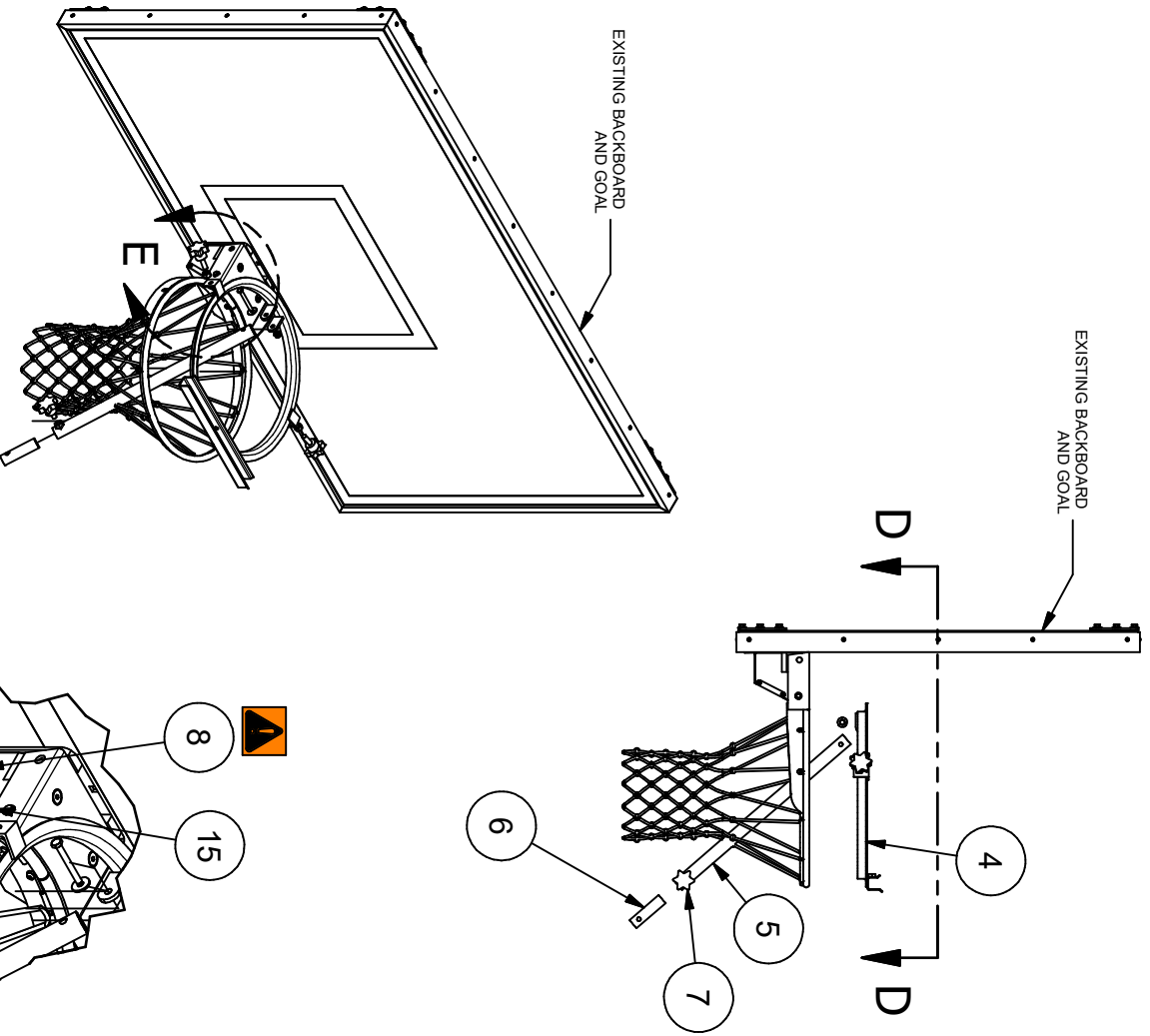


Gared Holdings, LLC
9200 E. 146th St.
Noblesville, IN 46060

FILE LOC Q:\Inventor Files\xxxx-xx-xx\JJ1				JUNIOR JAMMER	
DATE	SHT. NO.	PART NO.	REV		
3/14/2019	4 OF 6	JJ1_Install Manual			



SECTION D-D



▲ WARNING

Hand knob must safely secure the ladder frame to the upper frame. Make sure the hand knob is securely tightened in order to properly hold the ladder frame in place. Failure to secure hand knob in position could allow the ladder frame to come out of the track and fall causing damage to equipment and/or serious injury to personnel.

STEP THREE

- Assemble upper frame connector (5) to upper frame assembly (4) using hex head M8x70mm (9), M8 flat washer (11) and M8 flange nut (12) as shown above.
- Install hand knob (7) on upper frame connector (6) and upper frame assembly (4)
- Secure upper frame assembly (4) in existing goal as shown in detail "E", fully tighten hand knob M12x50mm (8) and secure with jam nut M12 (15) on both sides.

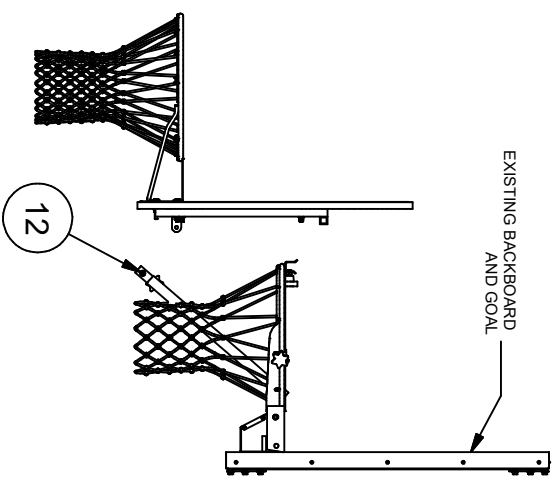
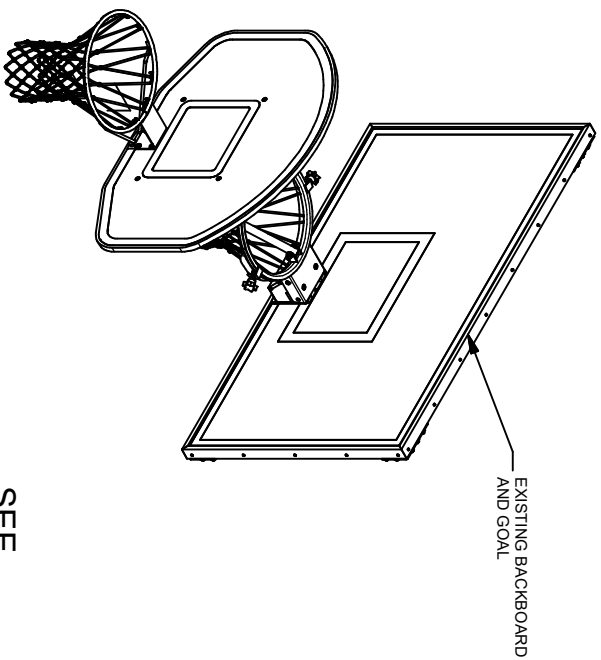
Installation and Assembly Instructions

JUNIOR JAMMER

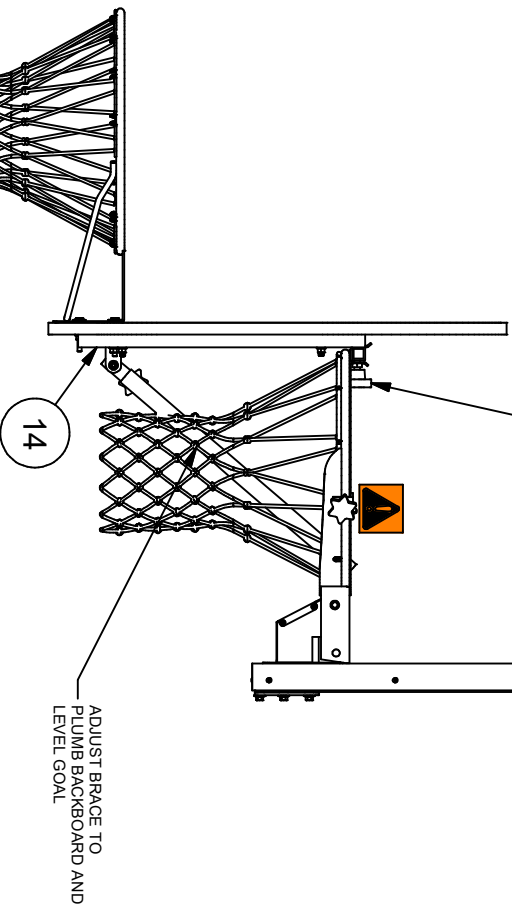


Gared Holdings, LLC
9200 E. 146th St.
Noblesville, IN 46060

FILE LOC Q:\Inventor Files\xxxx-xx-xx\JJ1			PART NO.	
DATE	SHT. NO.	JJ1_Install Manual		REV
3/14/2019	5 OF 6			



SEE
WARNING
SHEET 5



▲ WARNING

Hand knobs must safely secure the upper frame to the existing goal. The point of the hand knob **MUST** contact the goal beneath the welded support flange or goal rim in order to properly lock in place.

Failure to secure hand knobs in position could allow the unit to fall causing damage to equipment and/or serious injury to personnel.

STEP FOUR

With the help of an assistant, place assembled unit onto upper frame assembly channel (4). Connect lower frame connector (5) to backboard frame assembly (14). Ensure lower frame connector (5) is engaged with upper frame connector (6) as shown in illustration, insert and tighten hand knob M12 x 20.5 mm (7).

Installation and Assembly Instructions

JUNIOR JAMMER

JUNIOR JAMMER			
FILE LOC	Q:\Inventor Files_xxxx-xx-xx\JJ1		
DATE	SHT. NO.	PART NO.	REV
3/14/2019	6 OF 6	JJ1_Install Manual	



Gared Holdings, LLC
9200 E. 146th St.
Noblesville, IN 46060