

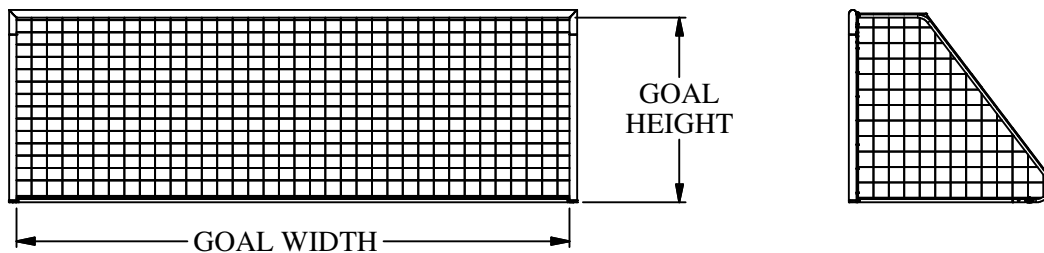
SGRDPT

SOCCER GOAL MODELS INCLUDED IN THIS INSTALLATION INSTRUCTIONS ARE:
SGRD612PT, SGRD618PT, SGRD721PT, AND SGRD824PT



⚠ WARNING

Portable or Moveable Soccer Goals can fall over causing serious injury or death. Anchors must be properly installed and used on all portable or moveable soccer goals at ALL times.



Installation and Assembly Instructions



Gared Holdings, LLC
9200 E. 146th St.
Noblesville, IN 46060

PORTABLE ROUND SOCCER GOALS

FILE LOC. Q:\Inventor Files\

DATE

12/26/2017

SHT. NO.

1 OF 14

PART NO.

651752322

REV

A

Table of Contents

<u>Section</u>	<u>Page No.</u>
Introduction/Liability Disclaimer	2
Parts Checklist	3
Goal Assembly	4-12
Storage	13
Maintenance	14

Introduction/Liability Disclaimers

Thank you for your purchase of the SGRDPT Soccer Goal. To ensure that our equipment will provide years of use to you, we are including this installation, operation, and maintenance guide. This guide will provide information on the proper assembly and installation methods, operating procedures, and preventative maintenance of your soccer goal.

Please note that a Bill of Materials is being included with this guide. Please check that all of the parts called out on the Bill of Materials are present prior to beginning assembly. Please do not substitute for factory parts. Please contact the PSS or Gared Sports customer service department and allow them to determine if substitute parts are acceptable.

It is recommended that an individual who has been properly trained perform assembly and set up of the Soccer Goal. No one under the age of 18 should attempt assembly or set up of the unit, unless properly supervised.

To prevent normal wear and tear from shortening the life of the unit, preventative maintenance inspections and repairs should be performed at least once per year. If the units are subject to high or unusual usage, inspections should be scheduled to occur more frequently. If items are found to be nonconforming, replacements can be ordered from Gared Sports or one of our authorized dealers. When contacting PSS or Gared Sports, please have information regarding the dealer/installer who sold the unit, the name of the project, and any applicable warranty information.

Before proceeding with assembly, read all instruction and assembly procedures. make sure all parts have been received and are not damaged.

Installation and Assembly Instructions



Gared Holdings, LLC
9200 E. 146th St.
Noblesville, IN 46060

PORTABLE ROUND SOCCER GOALS			
FILE LOC. Q:\Inventor Files\			
DATE	SHT. NO.	PART NO.	REV
12/26/2017	2 OF 14	651752322	A

Parts Checklist

Verify all parts listed on the packing list are present prior to installation.

Soccer Goal frame components

Check the chart for the proper parts that match the Goal P/N received.

			8' x 24'	7' x 21'	6.5' x 18.5'	6.5' x 12'
Item	Description	Qty	SGRD824PT	SGRD721PT	SGRD618PT	SGRD612PT
1	Net	1	SN824-4W	SN721-3W	SN618-3W	SN612-3W
2	Top Rail	1	655755839	655755836	655755833	655755863
3	Side Rail	2	655755840	655755837	655755834	655755834
4	Backstay Bent	2	656202400	656202403	656202406	656202406
5	Backstay Straight	2	656202401	626202404	656202407	656202407
6	Backstay Brace	1	656202402	656202405	656202408	656202411
7	Connecting Tube	2	655755201	(Common to all goals this series)		
8	Backstay Mtg Brkt	4	656202416	(Common to all goals this series)		
9	Clamp Plate, Narrow	4	656202106	(Common to all goals this series)		
10	Brace Clamp (pair)	2	651653590	(Common to all goals this series)		
11	Ground Anchor	4	651652570	(Common to all goals this series)		
12	Vinyl End cap Rnd	2	101653689	(Common to all goals this series)		
13	Carriage Bolt 5/16 x 2.5	2	501-5-18-40SS	(Common to all goals this series)		
14	Hex Bolt, 5/16x0.875	8	502-5-18-14SS	(Common to all goals this series)		
15	Hex Bolt, 3/8x1.5	8	502-6-16-24SS	(Common to all goals this series)		
16	Hex Bolt, 3/8x2.75	4	502-6-16-44SS	(Common to all goals this series)		
17	Button Head Bolt 5/16x2.38	2	509-5-18-38SS	(Common to all goals this series)		
18	Lock Nut, 5/16	4	545-5-18SS	(Common to all goals this series)		
19	Lock Nut, 3/8	4	545-6-16SS	(Common to all goals this series)		
20	Flat Washer, 5/16	6	561-5SS	(Common to all goals this series)		
21	Flat Washer, 3/8	16	561-6SS	(Common to all goals this series)		
22	Lock Washer, 5/16	8	562-5SS	(Common to all goals this series)		
23	Lock Washer, 3/8	8	562-6SS	(Common to all goals this series)		
24	Net Clips	40	651652567	(Common to all goals this series)		

Installation and Assembly Instructions



Gared Holdings, LLC
9200 E. 146th St.
Noblesville, IN 46060

PORTABLE ROUND SOCCER GOALS

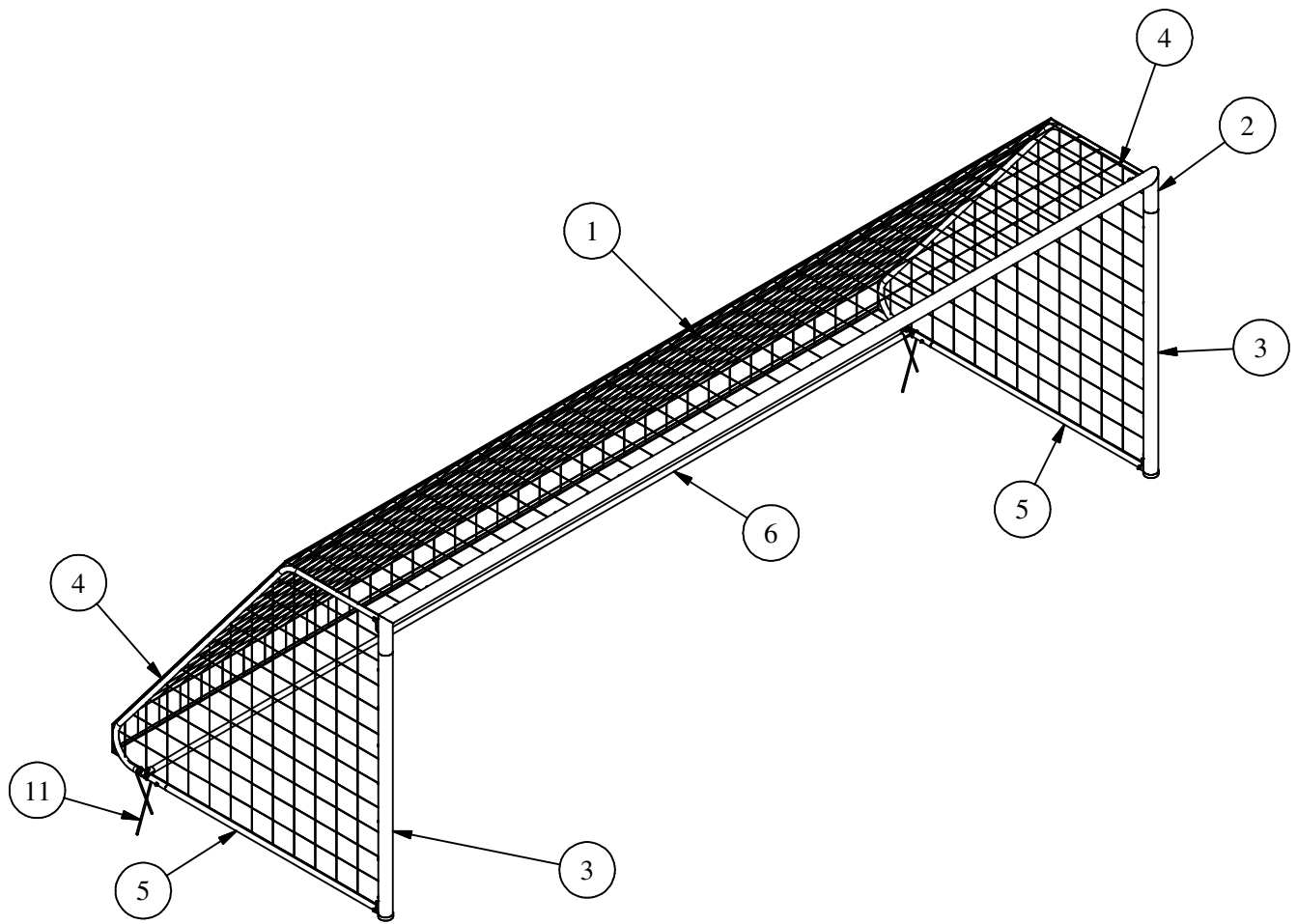
FILE LOC. Q:\Inventor Files\

DATE 12/26/2017

SHT. NO.
3 OF 14

PART NO.
651752322

REV
A



(Master Illustration)

Use the above illustration to identify the main parts of your SGRDPT soccer goal.

***NOTE:**

Balloon numbers throughout this manual will match the ***Item*** numbers in the ***Parts Checklist***.

Installation and Assembly Instructions



Gared Holdings, LLC
9200 E. 146th St.
Noblesville, IN 46060

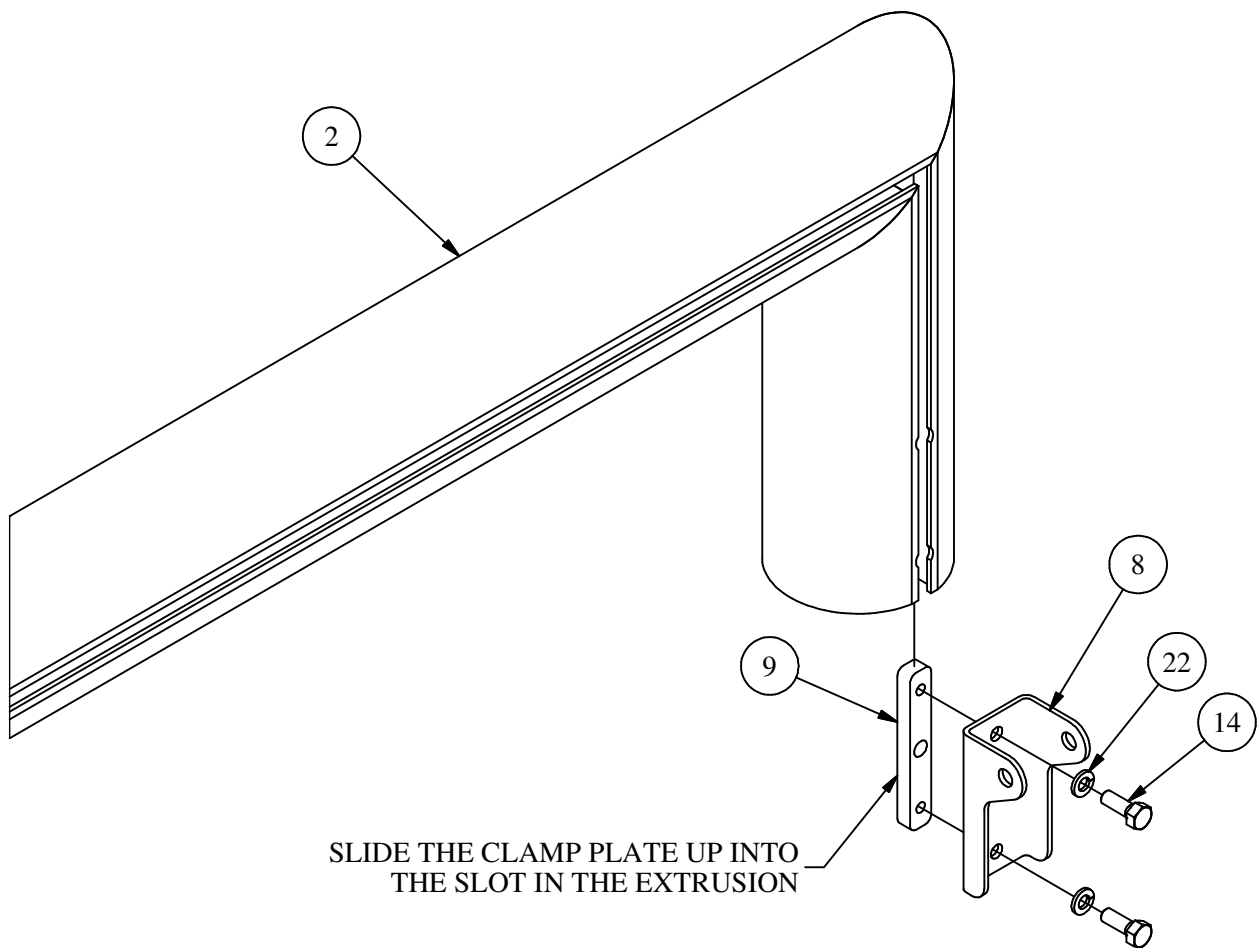
PORTABLE ROUND SOCCER GOALS			
FILE LOC. Q:\Inventor Files\			
DATE	SHT. NO.	PART NO.	REV
12/26/2017	4 OF 14	651752322	A

Goal Frame Assembly

*Use the following step by step instructions to assemble your SGRDPT soccer goal.

Step 1:

Attach a Backstay Mounting Bracket (8) to each end of the Top Crossbar (2) as shown in the following illustration. Use 5/16" x 7/8" bolts (14), and 5/16" lock washers (22) to attach the bracket. The clamp plate (9) fits into the slot in the extrusion as shown. Slide the bracket up and hand tighten the bolts. Position is not important at this point. Go to step 2.



Installation and Assembly Instructions



Gared Holdings, LLC
9200 E. 146th St.
Noblesville, IN 46060

PORTABLE ROUND SOCCER GOALS

FILE LOC. Q:\Inventor Files\

DATE

12/26/2017

SHT. NO.

5 OF 14

PART NO.

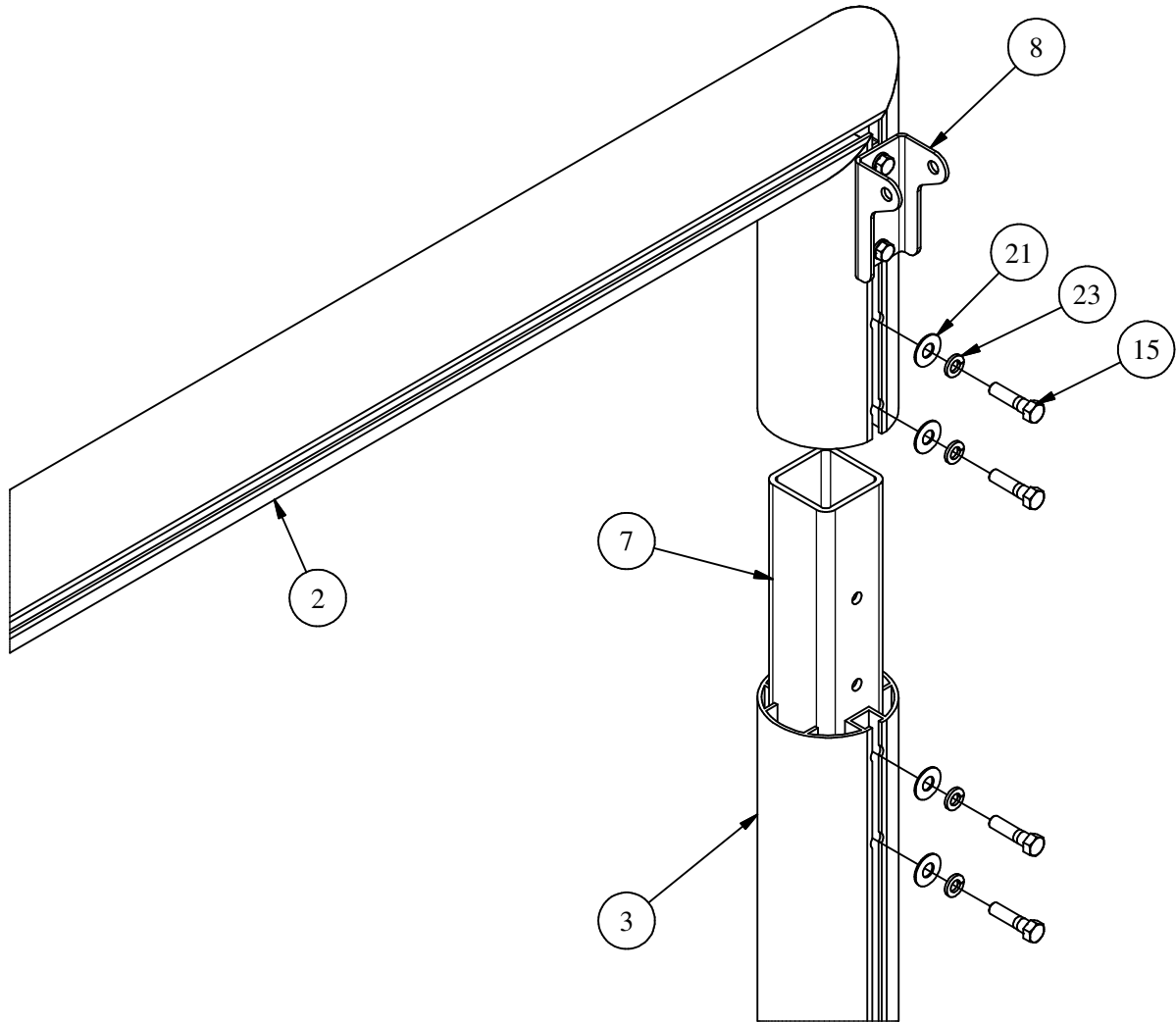
651752322

REV

A

Step 2:

Next attach the Uprights. Position the Connecting Tube (7) between the Upright and Top Crossbar. Align the four holes. Attach the Upright (3) with 3/8" x 1-1/2" bolts (15), 3/8" flat washers (21), and 3/8" lock washers (23). Use the illustration below as a guide. When everything is aligned, securely tighten the bolts.



Installation and Assembly Instructions

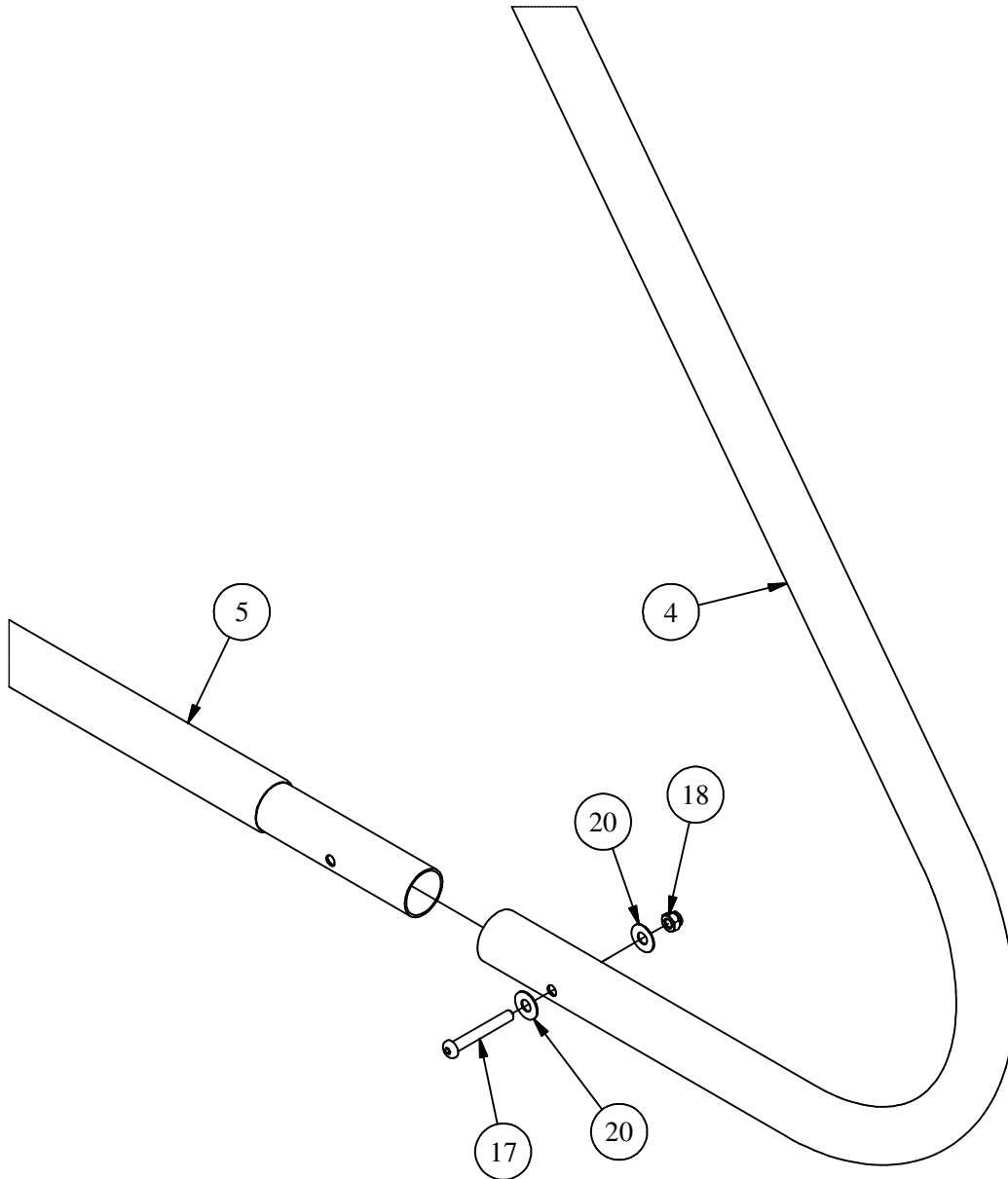


Gared Holdings, LLC
9200 E. 146th St.
Noblesville, IN 46060

PORTABLE ROUND SOCCER GOALS			
FILE LOC. Q:\Inventor Files\			
DATE	SHT. NO.	PART NO.	REV
12/26/2017	6 OF 14	651752322	A

Step 3:

Before connecting the backstay components to the goal, assemble the two backstay components together. Attach the straight backstay pipe (5) to the bent backstay pipe (4) by inserting the straight section into the lower bent section and aligning the holes. Install the 5/16 x2-3/8" button head bolt (17) and 5/16" flat washer (20) through the hole. Add a 5/16" flat washer (20) and 5/16" locknut (18). Tighten the nut securely. Repeat for the second backstay assembly.



Installation and Assembly Instructions

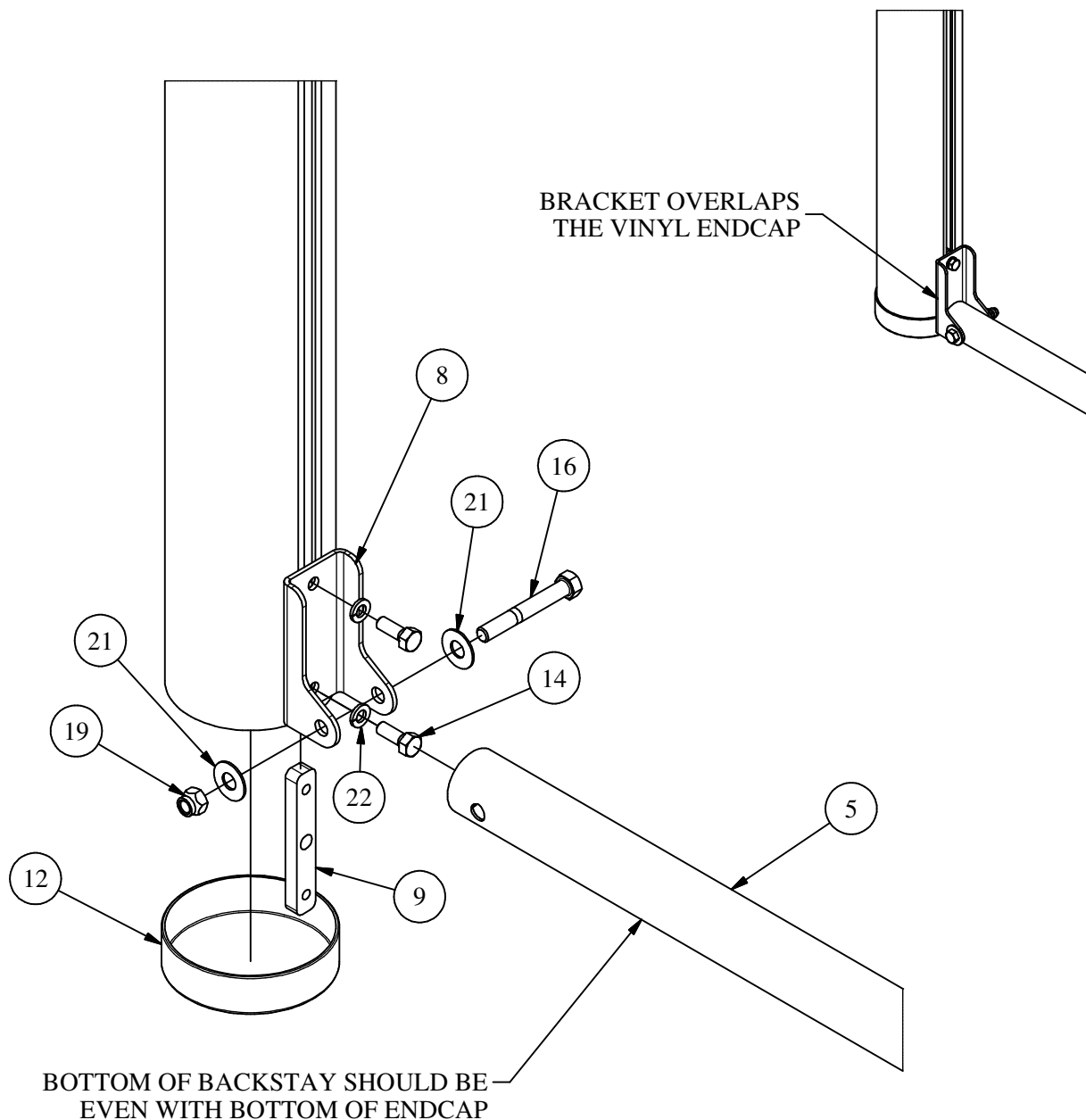


Gared Holdings, LLC
9200 E. 146th St.
Noblesville, IN 46060

PORTABLE ROUND SOCCER GOALS			
FILE LOC. Q:\Inventor Files\			
DATE	SHT. NO.	PART NO.	REV
12/26/2017	7 OF 14	651752322	A

Step 4:

Now attach the lower Backstay Mounting Bracket (8) as shown in the illustration below. Slide the Clamp Plate (9) up into the slot of the extrusion. Use the same hardware as the top bracket. Then place the Round Vinyl End cap (12) onto the end of the side rail. The backstay bracket will overlap the end cap as shown. Mount the bottom end of the Backstay Pipe (5) to the bracket using two 3/8" flat washers (21), a 3/8" x 2-3/4" bolt (16), and a 3/8" nylon lock nut (19) to attach the backstay. The bottom side of the backstay pipe should be even with the bottom of the vinyl end cap so that the goal sits level.



Installation and Assembly Instructions

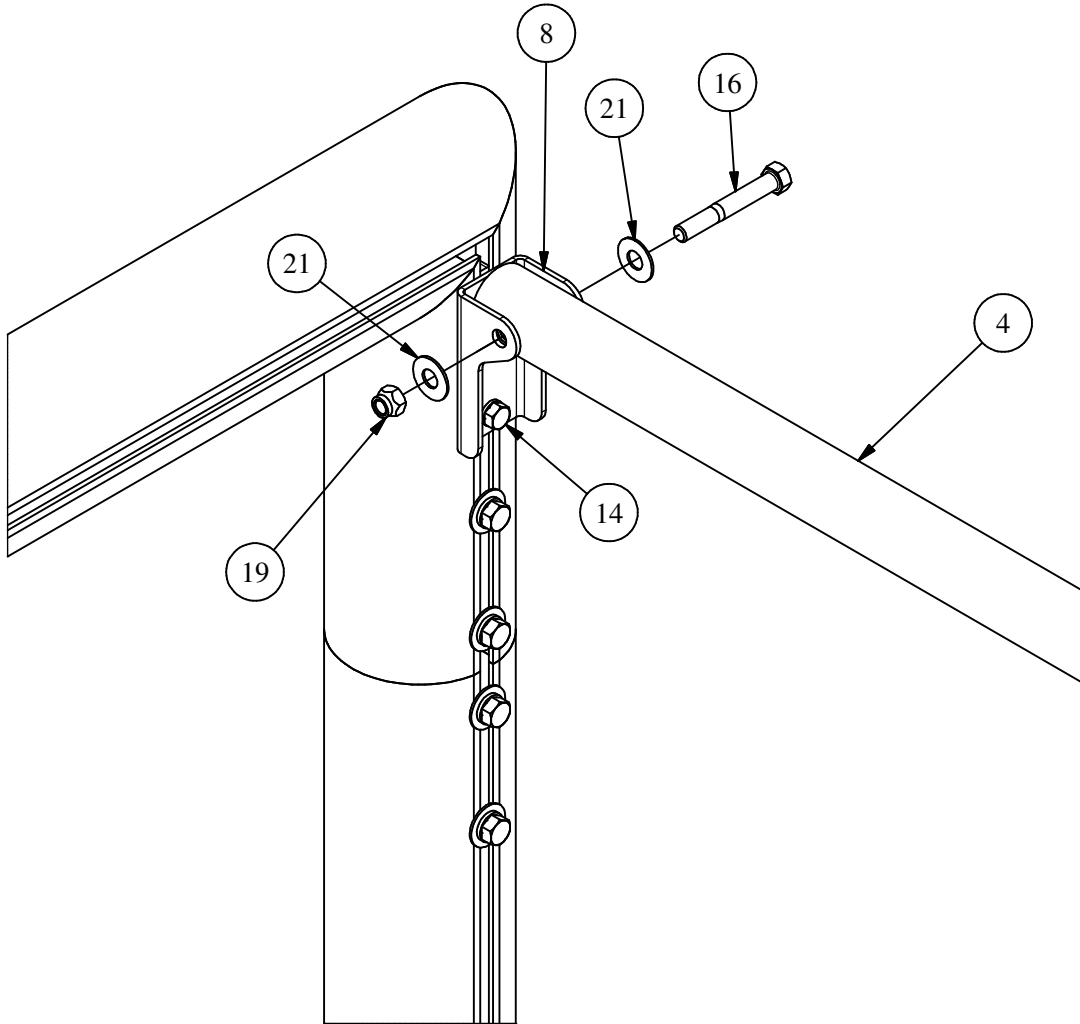


Gared Holdings, LLC
9200 E. 146th St.
Noblesville, IN 46060

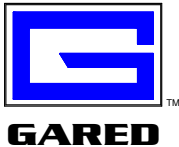
PORTABLE ROUND SOCCER GOALS			
FILE LOC. Q:\Inventor Files\			
DATE	SHT. NO.	PART NO.	REV
12/26/2017	8 OF 14	651752322	A

Step 5:

Attach the top end of the Backstay Pipe (4) to the top of the Backstay Mounting Bracket (8) as shown in the illustration below. Use the same hardware as the lower bracket. The height of the backstay pipe will determine the final position of the top mounting bracket. When all parts are aligned, securely tighten the bracket bolts (14).



Installation and Assembly Instructions

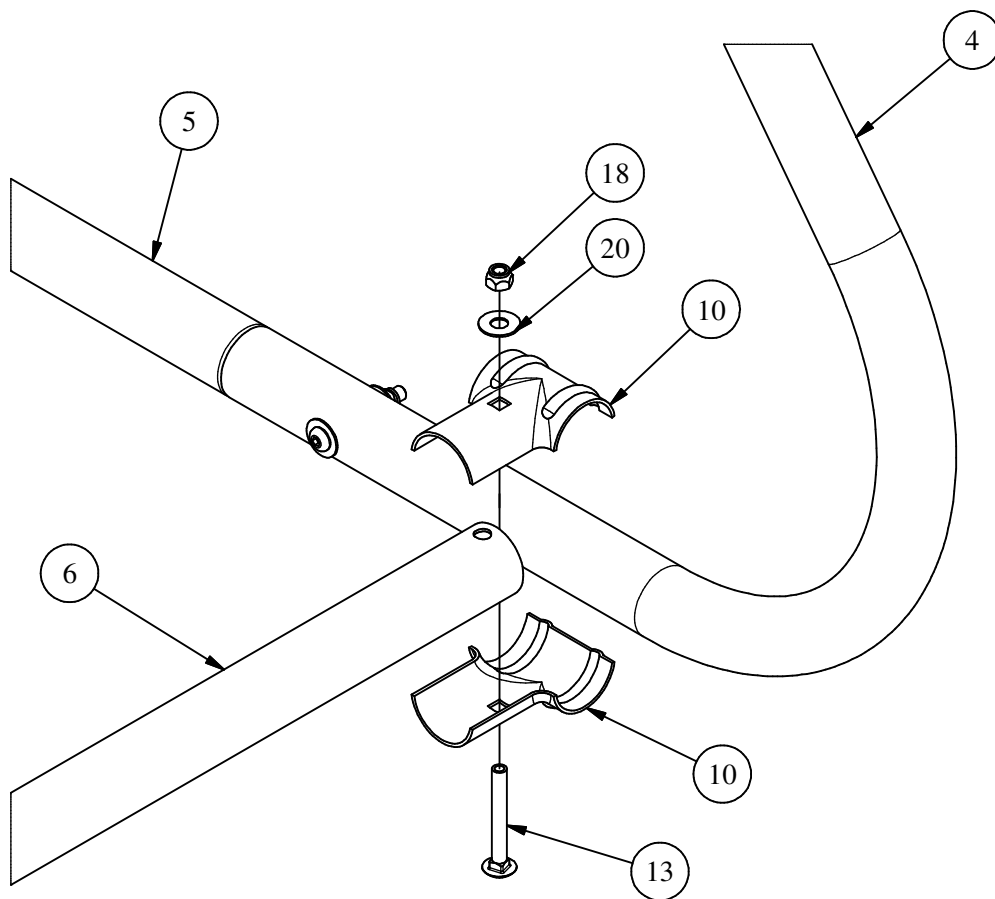


Gared Holdings, LLC
9200 E. 146th St.
Noblesville, IN 46060

PORTABLE ROUND SOCCER GOALS			
FILE LOC. Q:\Inventor Files\			
DATE	SHT. NO.	PART NO.	REV
12/26/2017	9 OF 14	651752322	A

Step 6:

Attach the Backstay Brace Pipe (6) near the back of the two side backstay pipes. (see the following illustration). Use two Brace Clamp halves (10) to attach each end of the brace pipe. Insert a 5/16" x 2-1/2" carriage bolt (13) from the bottom as shown. Secure with a 5/16" flat washer (20) and a 5/16" nylon lock nut (18). Make sure the brace pipe is perpendicular to the backstay pipe and tighten the nuts securely.



Installation and Assembly Instructions

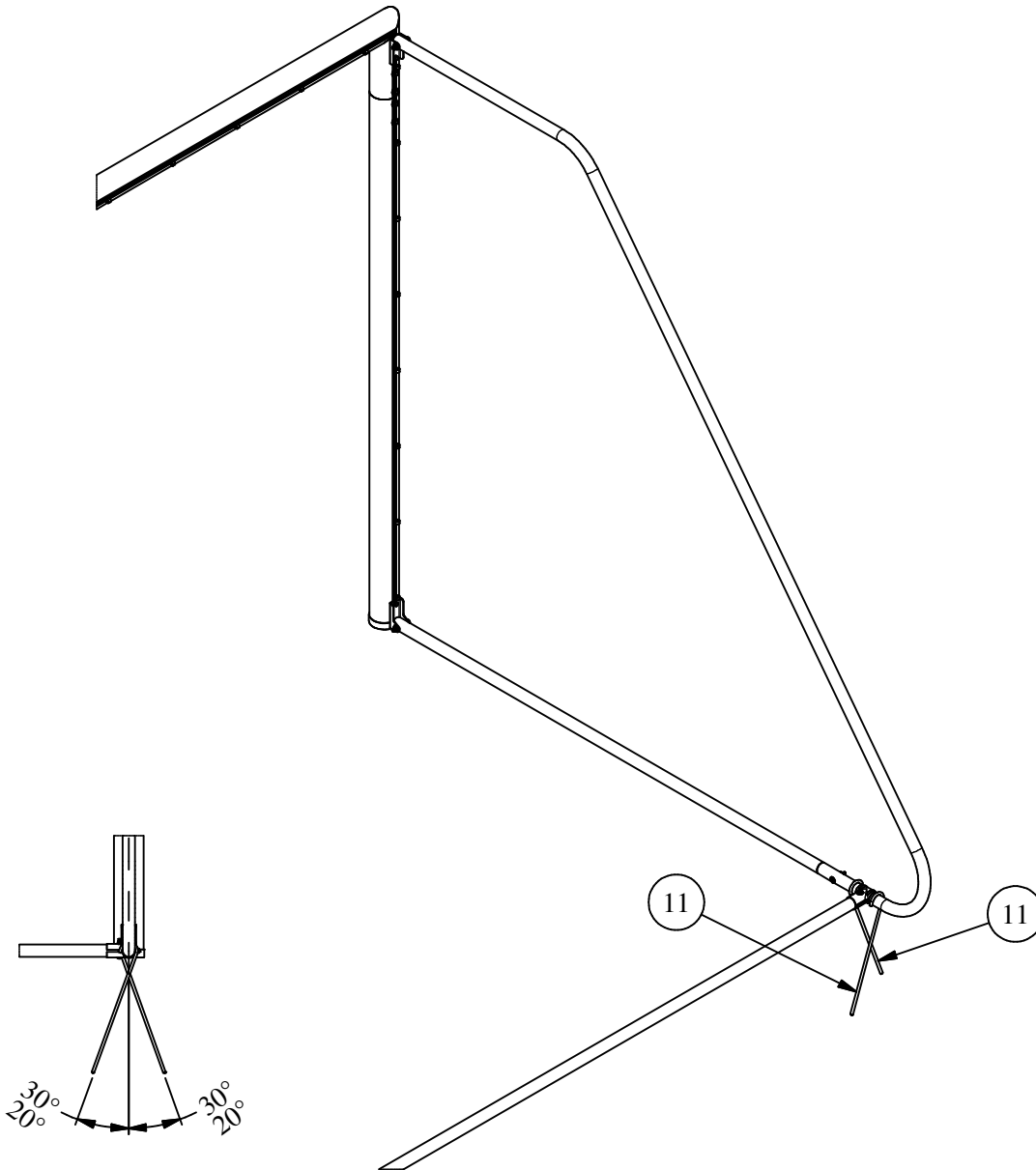


Gared Holdings, LLC
9200 E. 146th St.
Noblesville, IN 46060

PORTABLE ROUND SOCCER GOALS			
FILE LOC. Q:\Inventor Files\			
DATE	SHT. NO.	PART NO.	REV
12/26/2017	10 OF 14	651752322	A

Step 7:

Position goal in the upright playing position. Check all connections and make sure the goal is stable. When the goal is properly positioned on the playing field, secure it to the ground with two J-shaped anchor stakes (11) on each backstay pipe as shown in the following illustration.



⚠ WARNING

Portable or Moveable Soccer Goals can fall over causing serious injury or death. Anchors must be properly installed and used on all portable or moveable soccer goals at ALL times.

Installation and Assembly Instructions

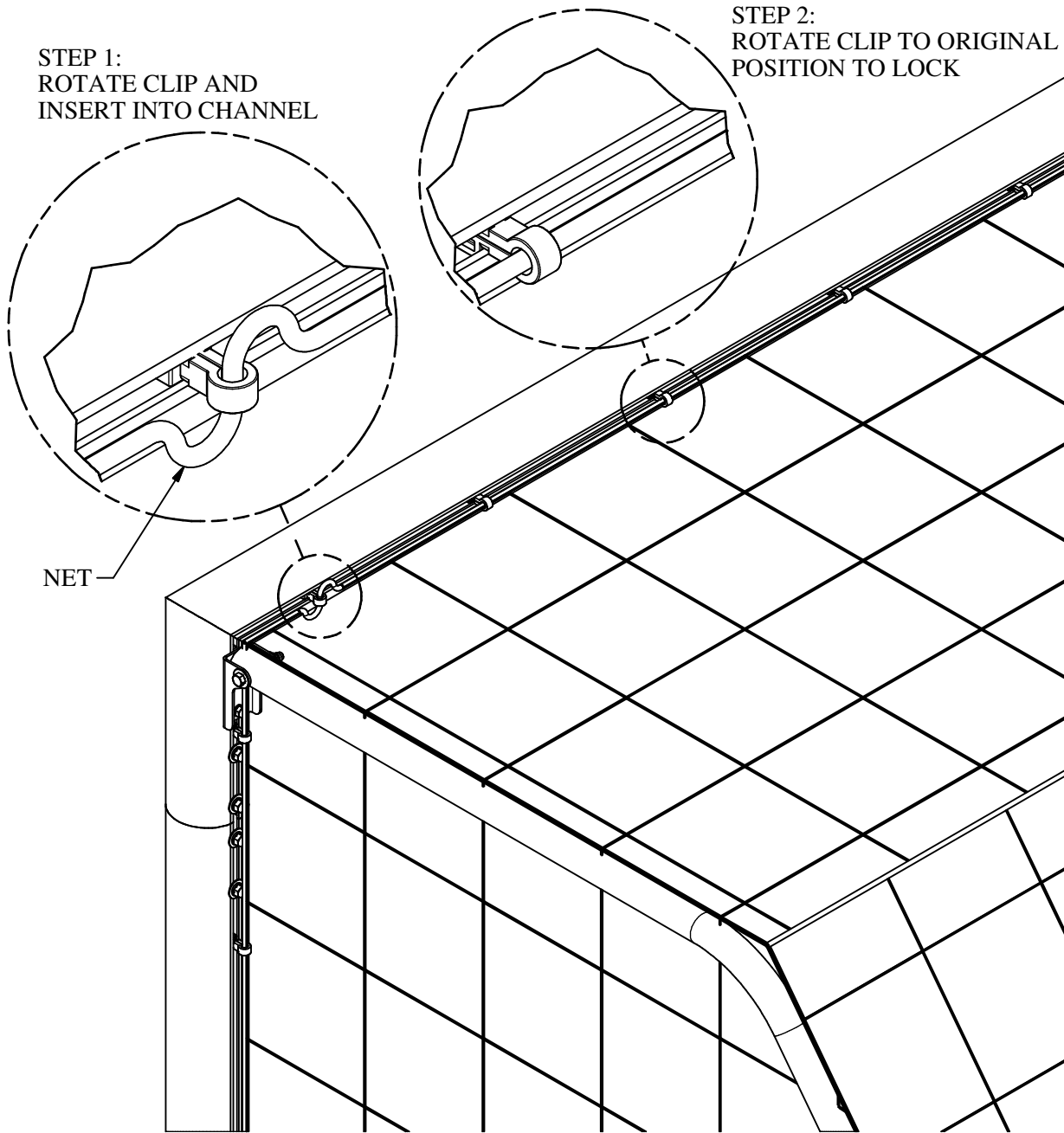


Gared Holdings, LLC
9200 E. 146th St.
Noblesville, IN 46060

PORTABLE ROUND SOCCER GOALS			
FILE LOC.	Q:\Inventor Files\		
DATE	SHT. NO.	PART NO.	REV
12/26/2017	11 OF 14	651752322	A

Step 8:

Install net using plastic clips (item 24). Insert the clips over the edge of the net as shown. Rotate the clip 90 degrees and insert it into the channel. When fully inserted, rotate it back 90 degrees to lock it into the channel. (See the illustration below)



Step 9:

Inspect all joints and connections to make sure the goal is ready for play.

Installation and Assembly Instructions

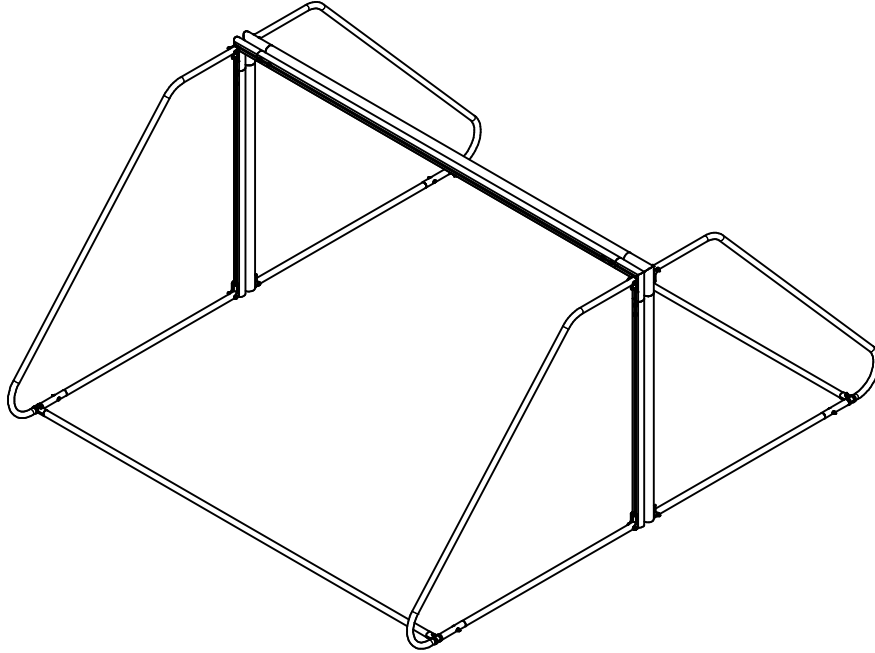


Gared Holdings, LLC
9200 E. 146th St.
Noblesville, IN 46060

PORTABLE ROUND SOCCER GOALS			
FILE LOC. Q:\Inventor Files\			
DATE	SHT. NO.	PART NO.	REV
12/26/2017	12 OF 14	651752322	A

STORAGE GUIDELINES

Whenever possible, remove the nets and place two goals face to face as shown below. Join the goal faces and lock together using chain and lock.



When goals cannot be stored together as shown above, remove the nets and face the goal frame to a fence or sturdy structure and secure the goal to fence posts or sturdy structure using chain and lock. When this is not possible, store the goals in an area that is not available to children.

Installation and Assembly Instructions



Gared Holdings, LLC
9200 E. 146th St.
Noblesville, IN 46060

PORTABLE ROUND SOCCER GOALS

FILE LOC. Q:\Inventor Files\

DATE

12/26/2017

SHT. NO.

13 OF 14

PART NO.

651752322

REV

A

Maintenance

- 1) General inspection of equipment when used should be performed to ensure no catastrophic failures have occurred during the course of use between yearly inspections.
- 2) It is recommended that yearly inspections be conducted to determine if any bolts or other hardware has become worn or loosened.
- 3) During yearly inspections, check all joints to make sure they are tight and secure. Check the net for wear, holes, torn rope, etc.
- 4) Any loose bolts or nuts should be tightened.
- 5) Replace any components that are missing or worn.

Installation and Assembly Instructions



Gared Holdings, LLC
9200 E. 146th St.
Noblesville, IN 46060

PORTABLE ROUND SOCCER GOALS			
FILE LOC. Q:\Inventor Files\			
DATE	SHT. NO.	PART NO.	REV
12/26/2017	14 OF 14	651752322	A